

Quick start guide




NVIP-2D-6502/F

noVus[®]

IMPORTANT SAFEGUARDS AND WARNINGS

THE PRODUCT MEETS THE REQUIREMENTS CONTAINED IN THE FOLLOWING DIRECTIVES:

 **DIRECTIVE 2014/30/EU OF THE EUROPEAN PARLIAMENT AND OF THE COUNCIL of 26 February 2014** on the harmonisation of the laws of the Member States relating to electromagnetic compatibility (OJ L 96, 29.3.2014, p. 79–106, with changes)



DIRECTIVE 2012/19/EU OF THE EUROPEAN PARLIAMENT AND OF THE COUNCIL of 4 July 2012 on waste electrical and electronic equipment (WEEE) (OJ L 197, 24.7.2012, p. 38–71, with changes)



DIRECTIVE 2011/65/EU OF THE EUROPEAN PARLIAMENT AND OF THE COUNCIL of 8 June 2011 on the restriction of the use of certain hazardous substances in electrical and electronic equipment (OJ L 174, 1.7.2011, p. 88–110, with changes)

Information

The device, as a part of professional CCTV system used for surveillance and control, is not designed for self installation in households by individuals without technical knowledge.

Excluding of responsibility in case of damaging data on a disk or other devices:

The manufacturer does not bear any responsibility in case of damaging or losing data on a disk or other devices during device operation.

WARNING!

PRIOR TO UNDERTAKING ANY ACTION THAT IS NOT DESCRIBED FOR THE GIVEN PRODUCT IN USER'S MANUAL AND OTHER DOCUMENTS DELIVERED WITH THE PRODUCT, OR IF IT DOES NOT ARISE FROM THE USUAL APPLICATION OF THE PRODUCT, MANUFACTURER MUST BE CONTACTED UNDER THE RIGOR OF EXCLUDING THE MANUFACTURER'S RESPONSIBILITY FOR THE RESULTS OF SUCH AN ACTION.

EAC



Pictures in this publication showing camera views can be simulations. Actual camera images may vary depending on the type, model, settings, observation area, or environmental conditions.

IMPORTANT SAFEGUARDS AND WARNINGS

WARNING!

THE KNOWLEDGE OF THIS MANUAL IS AN INDESPENSIBLE CONDITION OF A PROPER DEVICE OPERATION. YOU ARE KINDLY REQUESTED TO FAMILIRIZE YOURSELF WITH THE MANUAL PRIOR TO INSTALLATION AND FURTHER DEVICE OPERATION.

WARNING!

USER IS NOT ALLOWED TO DISASSEMBLE THE CASING AS THERE ARE NO USER-SERVICEABLE PARTS INSIDE THIS UNIT. ONLY AUTHORIZED SERVICE PERSONNEL MAY OPEN THE UNIT

INSTALLATION AND SERVICING SHOULD ONLY BE DONE BY QUALIFIED SERVICE PERSONNEL AND SHOULD CONFORM TO ALL LOCAL REGULATIONS

eng

1. Prior to undertaking any action please consult the following manual and read all the safety and operating instructions before starting the device.
2. Please keep this manual for the lifespan of the device in case referring to the contents of this manual is necessary;
3. All the safety precautions referred to in this manual should be strictly followed, as they have a direct influence on user's safety and durability and reliability of the device;
4. All actions conducted by the servicemen and users must be accomplished in accordance with the user's manual;
5. The device should be disconnected from power sources during maintenance procedures;
6. Usage of additional devices and components neither provided nor recommended by the producer is forbidden;
7. You are not allowed to use the camera in high humidity environment (i.e. close to swimming pools, bath tubs, damp basements);
8. Mounting the device in places where proper ventilation cannot be provided (e. g. closed lockers etc.) is not recommended since it may lead to heat build-up and damaging the device itself as a consequence;
9. Mounting the camera on unstable surface or using not recommended mounts is forbidden. Improperly mounted camera may cause a fatal accident or may be seriously damaged itself. The camera must be mounted by qualified personnel with proper authorization, in accordance with this user's manual.
10. Device should be supplied only from a power sources whose parameters are in accordance with those specified by the producer in the camera technical datasheet. Therefore, it is forbidden to supply the camera from a power sources with unknown parameters, unstable or not meeting producer's requirements;

Due to the product being constantly enhanced and optimized, certain parameters and functions described in the manual in question may change without further notice.

We strongly suggest visiting the www.novuscctv.com/en website in order to access the newest full manual

TABLE OF CONTENTS

TABLE OF CONTENTS

1. FOREWORD INFORMATION	5
1.1. General characteristics.....	5
1.2. Technical specification	6
1.3. Camera dimension	7
1.4. Package contents.....	7
2. START-UP AND INITIAL CONFIGURATION	8
2.1. Description of connectors.....	8
2.2. Description of camera components	8
2.3. Zoom and focus adjustment.....	9
2.4. Connecting ethernet cable	9
2.5. Connecting power supply to the camera.....	10
2.6. Camera mounting	10
2.7. Starting the camera	11
2.8. Initial configuration via the web browser.....	12
2.9. Security recommendations for network architecture and configuration	13
3. NETWORK CONNECTION UTILIZING WEB BROWSER	14
3.1. Recommended PC specification for web browser	14
3.2. Connection with camera via web browser	14
4. USING AND CONFIGURING	16
4.1. The remote preview interface.....	16
5. ELECTRICAL CONNECTIONS AND ACCESORIES	17
5.1. Connecting alarm input/output.....	17
5.2. Memory card installation.....	18
5.3. Connecting audio to the camera	18
6. RESTORING FACTORY DEFAULTS	19
6.1. Restoring factory settings using the www panel.....	19
6.2. Restoring factory settings using NMSiptool application	19
6.3. Factory reset with button.....	20

FOREWORD INFORMATION

1. FOREWORD INFORMATION

1.1. General Characteristics

- Sensor resolution: 2 megapixels
- Mechanical IR cut filter, IR operation capability
- Min. Illumination from 0 lx with IR LED on
- Wide Dynamic Range (WDR) for enhanced image quality in diverse light conditions
- Digital Noise Reduction (DNR)
- Lens type: varifocal, f=2.8 - 12 mm/F=1.4
- Built-in LED illuminator: 30 pcs LED
- Built-in webserver: camera configuration through the website
- Compression: H.264, H.265, H.264+, H.265+, H.264 Smart, H.265 Smart, MJPEG
- Max video processing resolution: 1920 x 1080
- Multi streaming: compression, resolution, speed and quality defined individually for each video stream
- ROI functions
- Motion detection
- Private Zones
- RTSP protocol support for video transmission
- Schedule
- Micro SD card up to 128 GB
- Audio input
- Audio output
- Built-in microphone
- Alarm input (NO/NC)
- Alarm Output
- Wide range of responses to alarm events: e-mail with attachment, saving file on FTP server, saving file on SD card, alarm output activation
- Software: NMS (NOVUS MANAGEMENT SYSTEM) for video recording, live monitoring, playback and remote IP devices administration
- Video Content Analysis (VCA):
 - Exception
 - Line Crossing
 - Region Entrance
 - Region Exiting
 - Target Counting
 - Intrusion
 - Face Detection
- Power supply: 12VDC, PoE (Power over Ethernet)

eng

FOREWORD INFORMATION

1.2. Technical specification

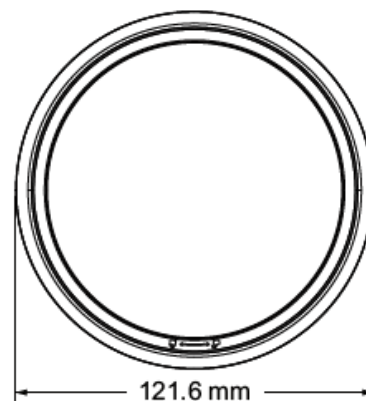
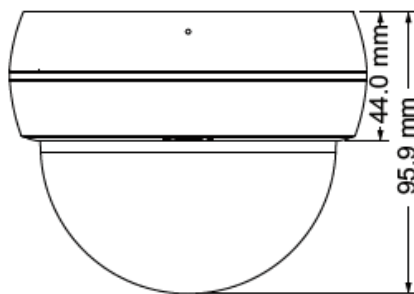
IMAGE	
Image Sensor	2 MPX CMOS sensor 1/2.8" SONY STARVIS
Number of Effective Pixels	1920 (H) x 1080 (V)
Min. Illumination	0.0038 lx/F1.4 - color mode, 0 lx (IR on) - B/W mode
Electronic Shutter	auto/manual: 1/3 s ~ 1/10000 s
Digital Slow Shutter (DSS)	up to 1/3 s
Wide Dynamic Range (WDR)	yes (double scan sensor), 120dB
Digital Noise Reduction (DNR)	3D
Defog Function (F-DNR)	yes
Highlight Compensation (HLC)	yes
Back Light Compensation (BLC)	yes
Reduction of image flicker (Antiflicker)	yes
LENS	
Lens Type	varifocal, f=2.8 ~ 12 mm/F1.4
DAY/NIGHT	
Switching Type	mechanical IR cut filter
Switching Mode	auto, manual, time
Switching Level Adjustment	yes
Switching Schedule	yes
Visible Light Sensor	yes
NETWORK	
Stream Resolution	1920 x 1080 (Full HD), 1280 x 720 (HD), 704 x 576, 480 x 240, 352 x 288
Frame Rate	30 fps for 1920 x 1080 (Full HD) and lower resolutions
Multistreaming Mode	3 streams
Video/Audio Compression	H.264, H.264+, H.264 Smart, H.265, H.265+, H.265 Smart, MJPEG/G.711
Number of Simultaneous Connections	max. 10
Bandwidth	60 Mb/s in total
Network Protocols Support	HTTP, TCP/IP, IPv4/v6, UDP, HTTPS, FTP, DHCP, DDNS, NTP, RTSP, UPnP, SNMP, QoS, IEEE 802.1X, PPPoE, SMTP
ONVIF Protocol Support	Profile S
Camera Configuration	from Internet Explorer browser languages: Polish, English, Russian, and others
Compatible Software	NMS, NVR-6000 Viewer
Mobile applications	SuperLive Plus (iPhone, Android)
OTHER FUNCTIONS	
Privacy Zones	4
Motion Detection	yes
Region of interest (ROI)	8
Video Content Analysis (VCA)	tamper, line cross, zone entrance, zone exit, object counting, Scene Change, Video Blurred, Video Color Cast, objects distinguishing, face recognition
Image Processing	180° image rotation, sharpening, mirror effect, corridor mode, lens distortion correction
Prealarm/Postalarm	up to 6 s/up to 120 s

FOREWORD INFORMATION

System Reaction to Alarm Events	e-mail with attachment, saving file on FTP server, saving file on SD card, alarm output activation
Restoring default settings	via web browser, using reset button, via NMS IPTool software
IR LED	
LED Number	30
Range	30 m
Angle	90°
Smart IR	yes (software support)
INTERFACES	
Audio Input/Output	1 x Jack (3.5 mm)/1 x Jack (3.5 mm) built-in microphone
Alarm Input/Output	1 (NO/NC)/1 relay type
Network Interface	1 x Ethernet - RJ-45 interface, 10/100 Mbit/s
Memory Card Slot	microSD - capacity up to 128GB
INSTALLATION PARAMETERS	
Dimensions (mm)	122 (Φ) x 96 (H)
Weight	0.38 kg
Enclosure	plastic, white
Power Supply	PoE, 12 VDC
Surge protection	TVS 4000 V
Power Consumption	3 W, 6 W (IR on)
Operating Temperature	-10°C ~ 40°C
Humidity	max. 95%, relative (non-condensing)

eng

1.3. Camera dimensions



1.4. Package contents

After you open the package make sure that the following elements are inside:

- IP camera
- Accessories bag
- Quick start guide

If any of this elements has been damaged during transport, pack all the elements back into the original box and contact your supplier for further assistance.

Before starting the device familiarize yourself with the description and the role of particular inputs, outputs and adjusting elements that the device is equipped with.

START-UP AND INITIAL CONFIGURATION

CAUTION!

If the device was brought from a location with lower temperature, please wait until it reaches the temperature of location it is currently in. Turning the device on immediately after bringing it from a location with lower ambient temperature is forbidden, as the condensing water vapour may cause short-circuits and damage the device as a result.

2.START-UP AND INITIAL CONFIGURATION

2.1. Description of connectors

1. 100 Mb/s Ethernet port (RJ-45 connector)

2. Audio output (HP)

3. Audio input (MIC)

4. Alarm Connectors

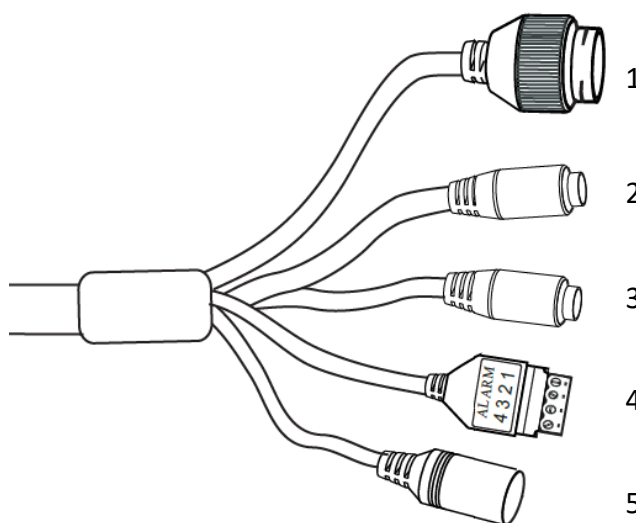
1. Alarm output COM

2. Alarm output

3. Alarm input

4. Alarm input GND

5. Power supply 12VDC



2.2. Description of the camera components

INFORMATION! To access the above items (except the microphone), remove the camera cover.

1. Light sensor

2. Infrared LEDs

3. Lens adjustment levers

4. Reset button

5. MicroSD card slot

6. Build in microphone



START-UP AND INITIAL CONFIGURATION

2.3. Zoom and focus adjustment

To set the focus and focal length, remove the top cover and then use the available levers to adjust the field of view and focus.

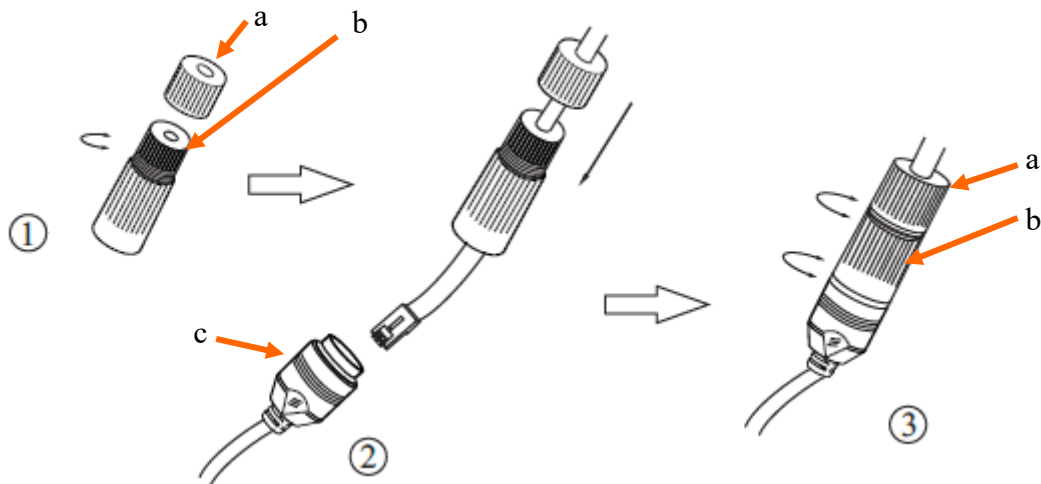


eng

2.4. Connecting ethernet cable

To maintain tightness of ethernet cable connection, please follow instruction below:

1. Loosen the nut (a) from the main element (b).
2. Run power cable (without RJ-45 connector) though both elements. Then crimp the cable with RJ-45 connector.
3. Connect the cable to the hermetic connector (c), screw main cover (b), then screw the nut (a).

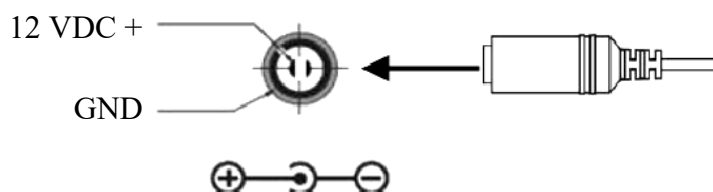


Warning! The 12VDC power connector, the audio and alarm I/O connectors are not hermetic. The user should ensure the tightness of these sockets on his own.

START-UP AND INITIAL CONFIGURATION

2.5. Connecting power supply to the camera.

The camera can be powered by an external power supply with parameters compatible with the camera data or by the RJ45 network socket using PoE technology (IEEE 802.3af). To power the camera via PoE, use a network switch or PoE adapter compatible with the IEEE 802.3af standard.



Information:

Power supply adapter is not included. Please use power adapter with parameters specified in user's manual.

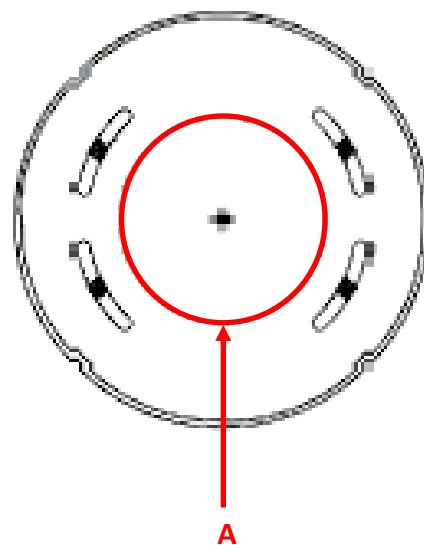
CAUTION:

Do not use power supplies and POE adapters not compatible with IEEE 802.3af standard! Damage resulting from the use of improper power supply is not covered under warranty!

In order to provide protection against voltage surges/lightning strikes, usage of appropriate surge protectors is advised. Any damages resulting from surges are not eligible for service repairs.

2.6. Camera mounting

1. Remove dome cover by turning it counterclockwise
2. Put assembly template of the camera to the desired mounting surface, and mark drilling holes.
3. Drill mounting, cable and heat removal holes (1) in previously selected points.
4. Mount the camera base using included screws on smooth surface
5. Adjust the position of the camera module.
6. Adjust focal length and focus using proper levers.
7. Put on the camera cover again, by turning it clockwise.



START-UP AND INITIAL CONFIGURATION

2.7. Starting the camera

To run NOVUS IP camera you have to connect ethernet cable between camera and network switch.

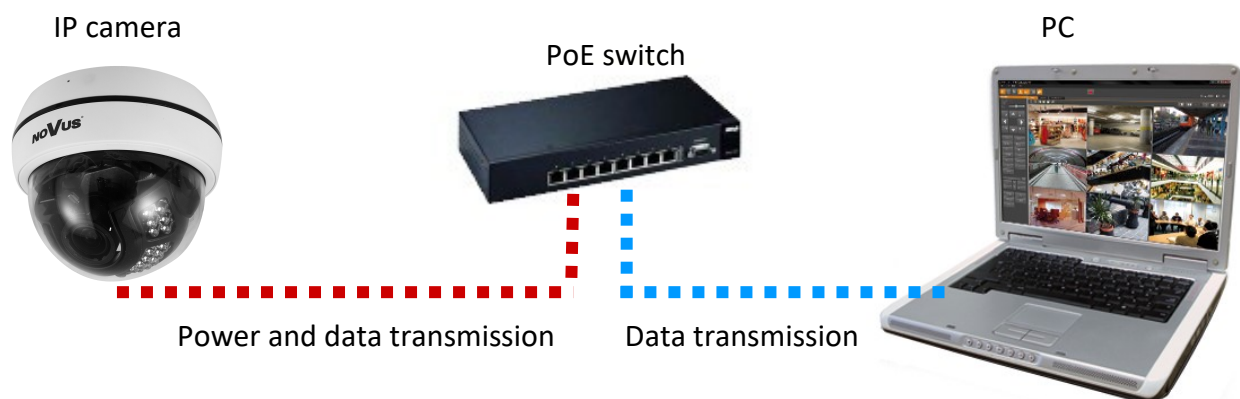
To power it up you can connect it directly via power supply adapter with parameters compatible with camera power supply specification, or camera can be powered with PoE (IEEE 802.3af) compatible switch.

After connecting power supply it takes about 30 seconds to start camera. Then You can proceed to connect to the camera via web browser.

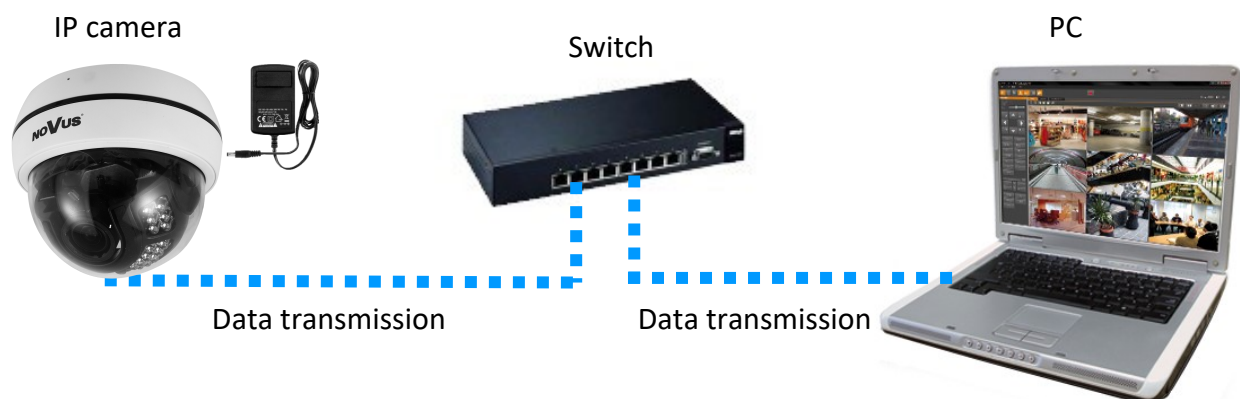
The recommended way to start an IP camera and perform its configuration is a connection directly to the network switch which is not connected to other devices. To obtain further information about network configuration parameters (IP address, gateway, network mask, etc.) please contact your network administrator.

eng

- Connection utilising network switch with PoE support

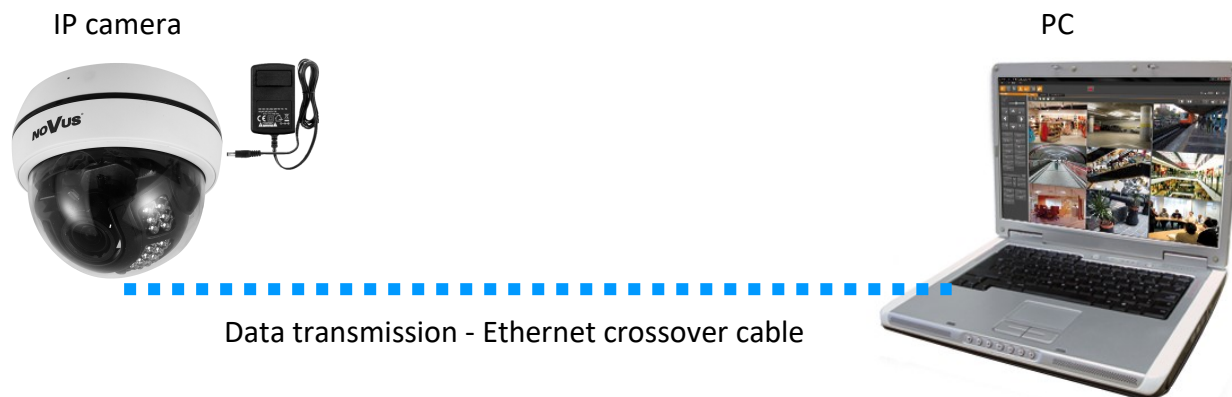


- Connection utilising external power supply and network switch



START-UP AND INITIAL CONFIGURATION

- Connection utilising external power supply directly to the computer



Information:

Power supply adapter is not included. Please use power adapter with parameters specified in user 's manual.

Caution:

In order to provide protection against voltage surges/lightning strikes, usage of appropriate surge protectors is advised. Any damages resulting from surges are not eligible for service repairs.

2.8. Initial configuration via the web browser

The default network settings for 6000 IP camera series are :

1. IP address= **192.168.1.200**
2. Network mask - **255.255.255.0**
3. Gateway - **192.168.1.1**
4. User name - **root**
5. Password - **pass**

Knowing the camera's IP address you need to appropriately set PC IP address, so the two devices can operate in one network subnet (e.g. for IP 192.168.1.1, appropriate address for the camera ranges from 192.168.1.2 to 192.168.1.254, for example 192.168.1.60). It is not allowed to set the same addresses for camera and PC computer

You can either set a network configuration (IP address, gateway, net mask, etc.) of NOVUS IP camera yourself or select DHCP mode (DHCP server is required in this method in target network) by using web browser or by NMS software. When you use DHCP server check IP address lease and its linking with camera MAC address to avoid changing or losing IP address during device operation or network/DHCP server breakdown. You have to remember to use a new camera IP address after changing network parameters.

After network setting configuration has been done, the camera can be connected to a target network.

START-UP AND INITIAL CONFIGURATION

2.9. Security recommendations for network architecture and configuration

WARNING!

Below are shown security recommendations for network architecture and configuration of CCTV systems that are connected to the Internet to reduce the risk of unauthorized interference with the system by a third party.

1. Absolutely change the default passwords and user names (if the device gives this possibility) of all applied network devices (recorders, cameras, routers, network switches, etc.) to the severely complexity password. Use lowercase and uppercase letters, numbers, and special characters if there is such possibility.
2. Depending on the available functionality in the order to restrict access to the used network devices at the administrator account level, it is recommended to configure the users accounts accordingly.
3. Do not use DMZ function (Demilitarized zone) in your router. Using that function you open the access to recorder system from the Internet on all ports, which gives possibility for an unauthorized interference with the system.

Instead of DMZ use port forwarding redirect only the ports which are necessary for the performance of the connection (detailed information about ports of communication in different models of recorders, cameras, etc. can be found in the operating instructions).

4. Use routers with firewall function and make sure it is enabled and properly configured.
5. It is recommended to change the default network communication port numbers of used devices if there is such possibility.
6. If used network devices has a UPnP feature and it is not used, turn it off.
7. If used network devices has a P2P feature and it is not used, turn it off.
8. If used network devices support HTTPS protocol for connection, it is recommended to use it.
9. If used network devices support IP filtering for authorized connections function, it is recommended to use it.
10. If used recorder has two network interfaces it is recommended to use both of them to physically separate network for cameras and network for Internet connection. The only device in the system, accessible from Internet will be recorder - there will be no physically access directly to any camera.

NETWORK CONNECTION UTILIZING WEB BROWSER

3. NETWORK CONNECTION UTILIZING WEB BROWSER

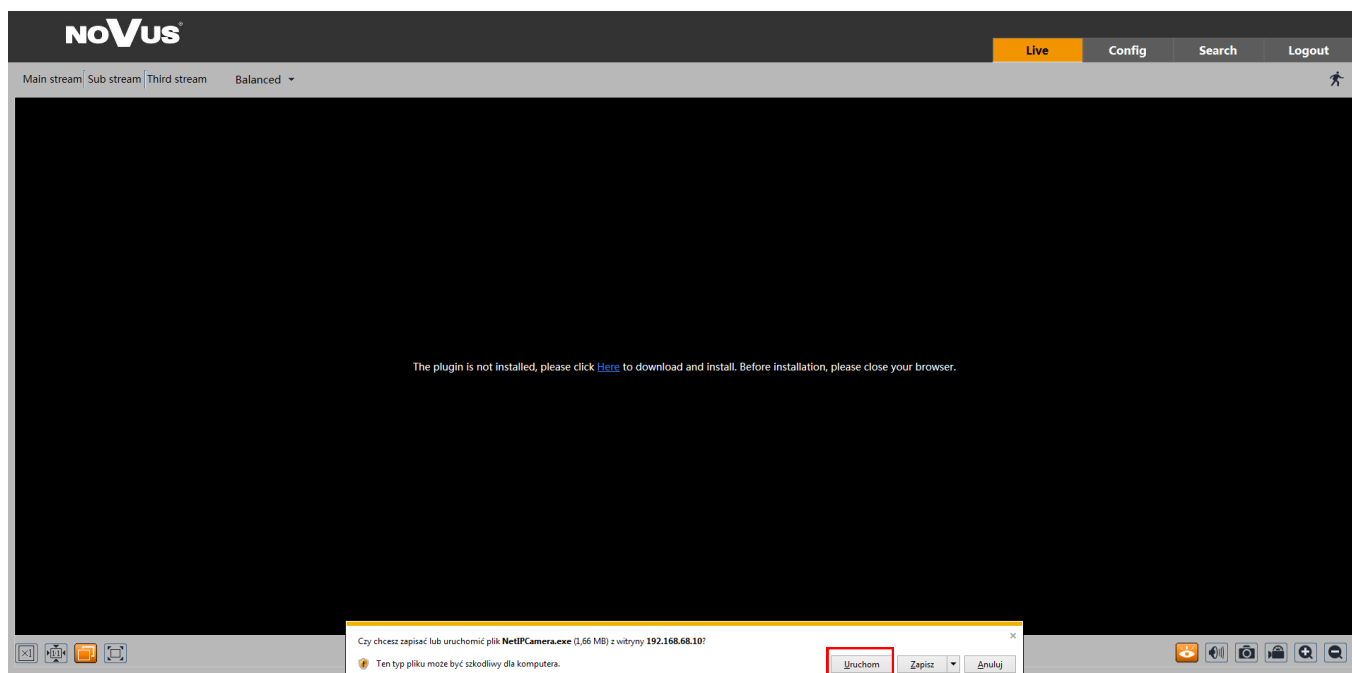
3.1. Recommended PC specification for web browser connections

Requirements below apply to connection with an IP camera, assuming smooth image display in 1920x1080 resolution and 30 fps speed.

1. CPU **Intel Core i3 3 GHz** or better
2. **RAM Memory min. 4 GB**
3. Graphic card **NVIDIA GeForce 512 MB** or equivalent
4. OS **Windows 7 / 8 / 8.1 / 10**
5. Network card **100/1000 Mb/s**

3.2. Connection with camera via web browser

You have to enter camera IP address in the address bar. When you connect to the camera, web browser will download the applet for displaying images from the camera. In Internet Explorer it may be necessary to accept an ActiveX control. To do this, click the right mouse button on the message, select "Install Active X control" and then click Install. After successfully NetIPCamera plug in downloading run and install it on a computer.



NETWORK CONNECTION UTILIZING WEB BROWSER

If the installation fails, changing security settings for the IE browser is required. In order to do that, please choose: *Tools > Internet options > Security tab > Custom level* and:

- Under *Download unsigned ActiveX controls* - select either Enable or Prompt
- Under *Initialize and script ActiveX controls not marked as safe* - select Enable or Prompt

You can also add the camera's IP address to "trusted zone" and set lowest security level for it.

In addition, when working in Windows / 7 / 8 / 8.1 / 10 the ActiveX applet may be blocked by Windows Defender or User account control. In such case you should allow to run this applet, or simply disable these functions.

eng

After successful installation login window will be displayed. Default user is **root** and default password is **pass**. For safety reasons, it is recommended to change default user name and password.

The screenshot shows a login window for the NOVUS system. The background is dark grey. On the left side, the 'NOVUS' logo is displayed in white. On the right side, there are four input fields stacked vertically:

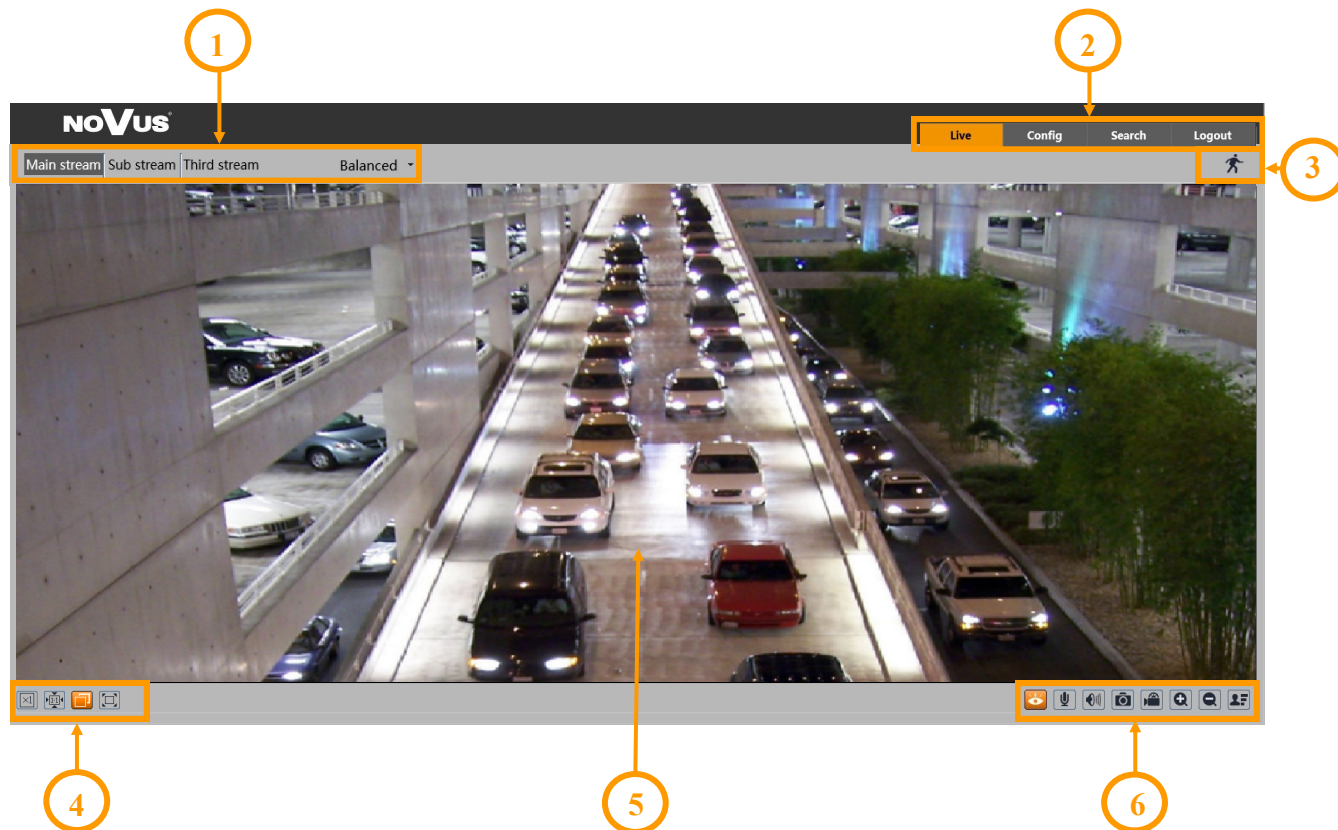
- 'Name:' with the text 'root' entered.
- 'Password:' with four black dots representing a masked password.
- 'Stream Type:' with a dropdown menu showing '1280x960 25fps'.
- 'Language:' with a dropdown menu showing 'English'.

 Below these fields is a checkbox labeled 'Remember me' which is checked. At the bottom center, there is a prominent orange button labeled 'Login'.

USING AND CONFIGURING

4. USING AND CONFIGURING

4.1. The remote preview interface



1. Selection of the stream to be displayed in the preview window and set the buffer size of the camera.

2. Camera operation mode selection and configuration buttons:

- Live - enables the live stream preview
- Config - displays the camera configuration panel
- Search - displays the panel for searching and playing back recordings from the memory card
- Logout - logs out of the camera

3. Alarm event icons display panel:



From left to right: color change, sabotage, scene change, intrusion, object counting, region exiting, region entrance, line crossing, face recognition, motion detection.

The occurrence of a given event is signaled with a flashing red color.

4. Image adjusting buttons:



From the left to right: original size, original aspect ratio, automatic window fit, full screen.

ELECTRICAL CONNECTIONS AND ACCESSORIES

5. Live view window.

Double-clicking the left mouse button on the preview window turns the display of the image on and off in full screen.

6. Buttons for controlling camera functions:



From left to right: enables/disables live view, enables/disables audio, adjusts volume, takes a photo, enables/disables recording, digital zoom buttons, enables/disables the panel displaying photos of recognized faces.

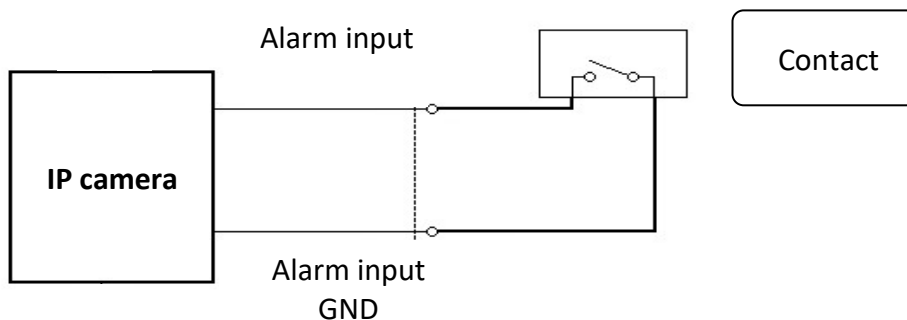
eng

5. ELECTRICAL CONNECTIONS AND ACCESSORIES

5.1. Connecting alarm input/output.

Alarm input

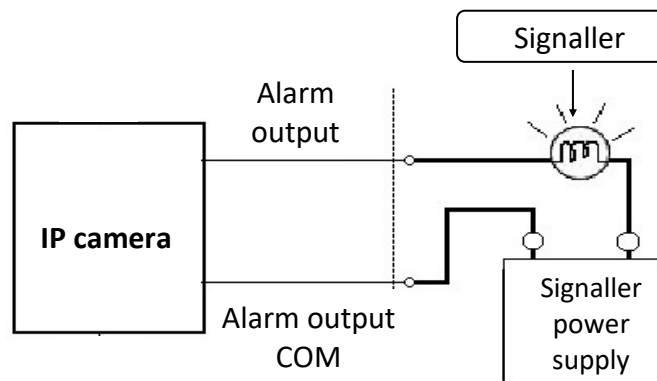
- Alarm input connection



Alarm output

Camera alarm output is an relay output type.

- Alarm output electric connections



ELECTRICAL CONNECTIONS AND ACCESSORIES

5.2 Memory card installation

Camera supports microSD/SDHC cards up to a maximum size of 128GB. In order to install the card properly, please follow the instructions below:

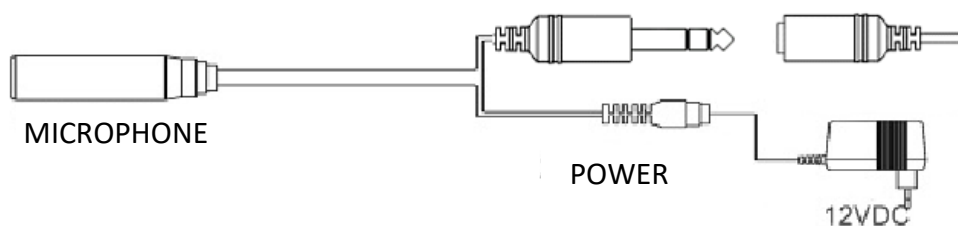
- Turn the camera off
- Remove dome cover by turning it counterclockwise
- Mount micro SD card in the socket located at the camera's base, according to the picture:



- Mount camera cover dome
- Turn the camera on
- Check the micro SD card by checking its capacity in the “Config -> System -> Storage” tab.

5.3 Connecting audio to the camera

Line in of camera allow to connect external Microphone (with own power supply)



RESTORING FACTORY DEFAULTS

6. RESTORING FACTORY DEFAULTS

Camera allow to restore defaults via:

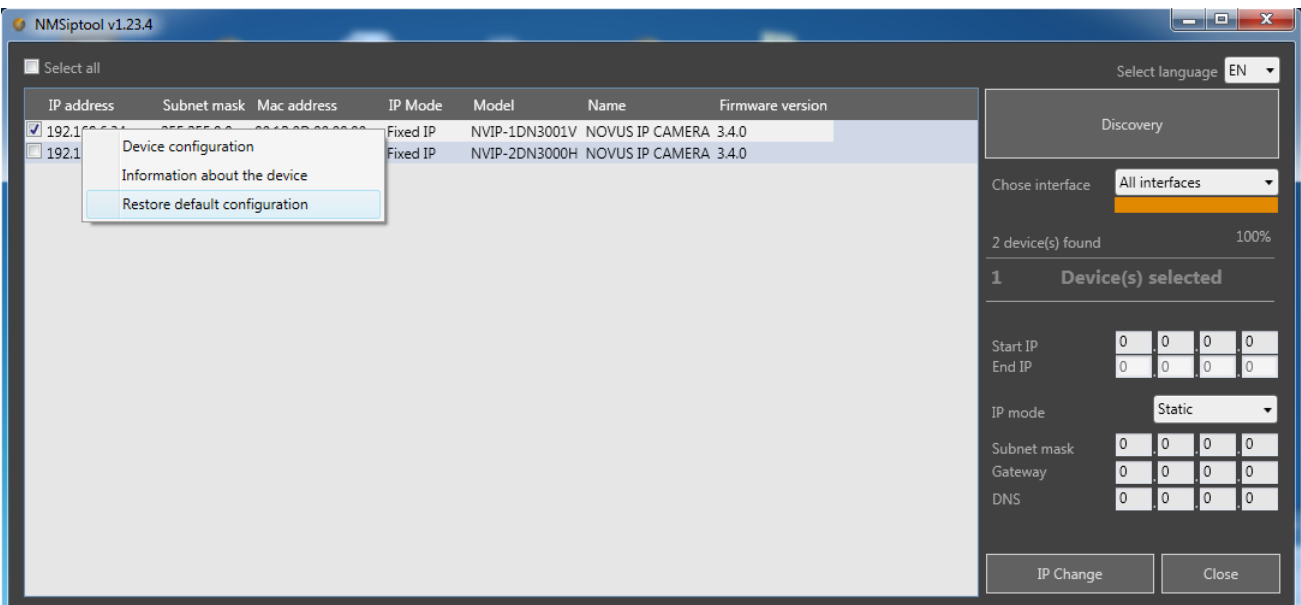
- software (via www panel)
- software (via NMSiptool)
- Hardware (using reset button)

6.1. Restoring factory settings using the www panel

Resetting the camera to factory settings returns the camera settings to the factory default values. If you check the selected "Keep" option, you can keep the network settings, security configuration or image configuration unchanged. The option to restore factory settings is in the tab "Config -> Maintenance -> Backup and Restore -> Factory Settings".

6.2. Restoring factory settings using NMSiptool application

Using NMSiptool (version 1.39 or higher), the user can restore factory settings. This is done by selecting the camera, right-clicking and selecting "Restore default configuration". Then, within 30 seconds of selecting the option, disconnect the cameras from the power supply and reconnect.



eng

RESTORING FACTORY DEFAULTS

6.3. Factory reset with button

In order to restore factory defaults for the camera please follow the instructions:



- Remove dome cover by turning it counterclockwise
- Press the RESET button and hold on for 10 seconds
- Release button
- Mount camera cover dome
- Log on after approx. 30 seconds using default IP address (<http://192.168.1.200>) and default user name (root) and password (pass)

noVus[®]

AAT SYSTEMY BEZPIECZEŃSTWA Sp. z o.o.
431 Puławska St., 02-801 Warsaw, Poland
tel.: +4822 546 07 00, fax: +4822 546 07 59
www.novuscctv.com

Skrócona instrukcja obsługi



NVIP-2D-6502/F

NOVUS[®]

UWAGI I OSTRZEŻENIA

PRODUKT SPEŁNIA WYMAGANIA ZAWARTE W DYREKTYWACH:



DYREKTYWA PARLAMENTU EUROPEJSKIEGO I RADY 2014/30/UE z dnia 26 lutego 2014 r. w sprawie harmonizacji ustawodawstw państw członkowskich odnoszących się do kompatybilności elektromagnetycznej (Dz.U. L 096 z 29.3.2014, s. 79—106, z późniejszymi zmianami) – zwana Dyrektywa EMC



DYREKTYWA PARLAMENTU EUROPEJSKIEGO I RADY 2012/19/UE z dnia 4 lipca 2012 r. w sprawie zużytego sprzętu elektrycznego i elektronicznego (WEEE) Dz.U. L 96 z 29.3.2014, str. 79—106, z późniejszymi zmianami) – zwana Dyrektywa WEEE



DYREKTYWA PARLAMENTU EUROPEJSKIEGO I RADY 2011/65/UE z dnia 8 czerwca 2011 r. w sprawie ograniczenia stosowania niektórych niebezpiecznych substancji w sprzęcie elektrycznym i elektronicznym (Dz.U. L 174 z 1.7.2011, str. 88—110, z późniejszymi zmianami) - zwana Dyrektywa RoHS

Informacja

Urządzenie, jako element profesjonalnego systemu telewizji dozorowej służącego do nadzoru i kontroli, nie jest przeznaczone do samodzielnego montażu w gospodarstwach domowych przez osoby nie posiadające specjalistycznej wiedzy.

Wyłączenie odpowiedzialności w przypadku uszkodzenia danych zawartych na dysku lub innych urządzeniach:

Producent nie ponosi odpowiedzialności w razie uszkodzenia lub utraty w trakcie eksploatacji Produktu danych zawartych na dyskach lub innych urządzeniach.

Obowiązek konsultowania się z Producentem przed wykonaniem czynności nieprzewidzianej instrukcją obsługi albo innymi dokumentami:

Przed wykonaniem czynności, która nie jest przewidziana dla danego Produktu w instrukcji obsługi, innych dokumentach dołączonych do Produktu lub nie wynika ze zwykłego przeznaczenia Produktu, należy, pod rygorem wyłączenia odpowiedzialności Producenta za następstwa takiej czynności, skontaktować się z Producentem.



Zamieszczone w niniejszej publikacji zdjęcia przedstawiające obrazy z kamer mogą być symulacjami. Rzeczywiste obrazy z kamer mogą się różnić, w zależności od typu, modelu, ustawień, obszaru obserwacji lub warunków zewnętrznych.

WARUNKI BEZPIECZEŃSTWA

UWAGA!

ZNAJOMOŚĆ NINIEJSZEJ INSTRUKCJI JEST NIEZBĘDNYM WARUNKIEM PRAWIDŁOWEJ EKSPLOATACJI URZĄDZENIA. PROSIMY O ZAPOZNANIE SIĘ Z NIM PRZED PRZYSTĄPIENIEM DO INSTALACJI I OBSŁUGI URZĄDZENIA.

UWAGA!

NIE WOLNO DOKONYWAĆ ŻADNYCH SAMODZIELNYCH NAPRAW. WSZYSTKIE NAPRAWY MOGĄ BYĆ REALIZOWANE JEDYNIEM PRZEZ WYKWALIFIKOWANYCH PRACOWNIKÓW SERWISU.

1. Przed zainstalowaniem i rozpoczęciem eksploatacji należy dokładnie zapoznać się z niniejszą instrukcją obsługi i zawartymi w niej wymogami bezpieczeństwa;
2. Uprasza się o zachowanie instrukcji na czas eksploatacji kamery na wypadek konieczności odniesienia się do zawartych w niej treści;
3. Należy skrupulatnie przestrzegać wymogów bezpieczeństwa opisanych w instrukcji, gdyż mają one bezpośredni wpływ na bezpieczeństwo użytkowników i trwałość oraz niezawodność urządzenia;
4. Wszystkie czynności wykonywane przez instalatorów i użytkowników muszą być realizowane zgodnie z opisem zawartym w instrukcji;
5. W czasie czynności konserwatorskich urządzenie musi być odłączone od zasilania;
6. Nie wolno stosować żadnych dodatkowych urządzeń lub podzespołów nie przewidzianych i nie zalecanych przez producenta;
7. Nie wolno używać kamery w środowisku o dużej wilgotności (np. w pobliżu basenów, wani, w wilgotnych piwnicach);
8. Nie należy instalować tego urządzenia w miejscu, gdzie nie można zapewnić właściwej wentylacji (np. zamknięte szafki, itp.), co powoduje zatrzymanie się ciepła i w konsekwencji może doprowadzić do uszkodzenia;
9. Nie wolno umieszczać kamery na niestabilnych powierzchniach. Kamera musi być instalowana przez wykwalifikowany personel o odpowiednich uprawnieniach według zaleceń podanych w niniejszej instrukcji;
10. Urządzenie może być zasilane jedynie ze źródeł o parametrach zgodnych ze wskazanymi przez producenta w danych technicznych serwera wideo. Dlatego też, zabrania się zasilania kamery ze źródeł o nieznanym, niestabilnym lub niezgodnym z wymaganiami określonymi przez producenta parametrach

Ponieważ produkt jest stale ulepszany i optymalizowany niektóre parametry i funkcje opisane w załączonej instrukcji mogły ulec zmianie.

Prosimy o zapoznanie się z najnowszą instrukcją obsługi znajdującą się na stronie www.novuscctv.com

Instrukcja obsługi znajdującą się na stronie www.novuscctv.com jest zawsze najbardziej aktualną wersją.

SPIS TREŚCI

SPIS TREŚCI

1. INFORMACJE WSTĘPNE	5
1.1. Charakterystyka ogólna	5
1.2. Dane techniczne	6
1.3. Wymiary kamery	7
1.4. Zawartość opakowania	7
2. URUCHAMIANIE I WSTĘPNA KONFIGURACJA KAMERY IP	8
2.1. Opis złącz elektrycznych	8
2.2. Opis elementów kamery	8
2.3. Ustawienia ostrości i ogniskowej	9
2.4. Podłączenie kabla sieciowego	9
2.5. Podłączenie zasilania	10
2.6. Montaż kamery	10
2.7. Uruchomienie kamery	11
2.8. Konfiguracja parametrów przy użyciu przeglądarki internetowej	12
2.9. Zalecenia dotyczące bezpieczeństwa sieci	13
3. POŁĄCZENIA SIECIOWE ZA POMOCĄ PRZEGLĄDARKI WWW	14
3.1. Zalecana konfiguracja komputera PC do połączeń przez przeglądarkę WWW	14
3.2. Połączenie sieciowe z kamerą IP za pomocą przeglądarki WWW	14
4. INTERFEJS WWW - PRACA Z KAMERĄ	16
4.1. Widok zdalnego podglądu.....	16
5. POŁĄCZENIA ELEKTRYCZNE I ZŁĄCZA AKCESORIÓW	17
5.1. Opis podłączenia wejść i wyjść alarmowych.	17
5.2. Instalacja karty SD	18
5.3. Podłączenie audio do kamery.....	18
6. PRZYWRACANIE USTAWIEŃ FABRYCZNYCH KAMERY	19
6.1. Programowe przywracanie ustawień fabrycznych	19
6.2. Programowe przywracanie ustawień fabrycznych kamery IP (NMSiptool).....	19
6.3. Sprzętowe przywracanie ustawień fabrycznych.....	20

INFORMACJE WSTĘPNE

1. INFORMACJE WSTĘPNE

1.1. Charakterystyka ogólna

- Rozdzielczość przetwornika: 2 megapiksele
- Mechaniczny filtr podczerwieni (możliwość pracy w podczerwieni)
- Czułość od 0 lx przy włączonym oświetlaczu IR
- Szeroki zakres dynamiki (WDR) - funkcja poprawiająca jakość obrazu dla różnych poziomów oświetlenia sceny
- Cyfrowa redukcja szumu (DNR)
- Typ obiektywu: ze zmienną ogniskową, $f=2.8 - 12 \text{ mm}/F=1.4$
- Wbudowany oświetlacz podczerwieni: 30 diod LED
- Wbudowany webserwer: kompresja i transmisja przez sieć wideo i audio w czasie rzeczywistym
- Kompresja H.264, H.265, H.264+, H.265+, H.264 Smart, H.265 Smart, MJPEG
- Rozdzielczość przetwarzania wideo: 1920 x 1080
- Możliwość definiowania kompresji, rozdzielczości, prędkości i jakości dla każdego strumienia
- Obszar obserwacji ROI
- Detekcja ruchu
- Strefy prywatności
- Przesyłanie wideo w standardzie RTP/RTSP
- Funkcja harmonogramu
- Karta micro SD do 128 GB
- Wejście audio
- Wyjście audio
- Wbudowany mikrofon MIC
- Wejście alarmowe (NO/NC)
- Wyjście alarmowe
- Możliwość szerokiego definiowania reakcji systemu na zdarzenia alarmowe: e-mail z załącznikiem, zapis pliku na serwer FTP, zapis zdjęcia na karcie SD, aktywacja wyjścia alarmowego
- Oprogramowanie: NMS (NOVUS MANAGEMENT SYSTEM) - do rejestracji wideo, podglądu „na żywo”, odtwarzania oraz zdalnej konfiguracji urządzeń wideo IP
- Funkcje analizy obrazu:
 - Sabotaż
 - Przekroczenie linii
 - Naruszenie strefy
 - Zliczanie obiektów
 - Wykrywanie wtargnięcia
 - Rozpoznawanie twarzy
- Zasilanie 12 VDC/ PoE (Power over Ethernet)

INFORMACJE WSTĘPNE

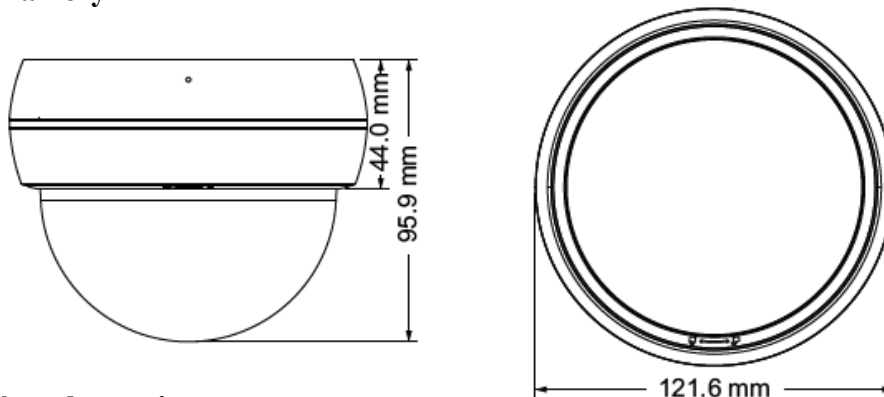
1.2. Dane techniczne

OBRAZ	
Przetwornik obrazu	2 MPX, matryca CMOS, 1/2.8", SONY STARVIS
Liczba efektywnych pikseli	1920 (H) x 1080 (V)
Czułość	0.0038 lx/F1.4 - tryb kolorowy, 0 lx (IR wł.) - tryb czarno-biały
Elektroniczna migawka	automatyczna/manualna: 1/3 s ~ 1/10000 s
Wydłużona migawka (DSS)	do 1/3 s
Szeroki zakres dynamiki (WDR)	tak (podwójne skanowanie przetwornika), 120dB
Cyfrowa redukcja szumu (DNR)	3D
Funkcja Defog (F-DNR)	tak
Redukcja efektu oślepienia kamery (HLC)	tak
Kompensacja tylnego światła (BLC)	tak
Redukcja migotania obrazu (Antiflicker)	tak
OBIEKTYW	
Typ obiektywu	zmiennooogniskowy, f=2.8 ~ 12 mm/F1.4
DZIEŃ/NOC	
Rodzaj przełączania	mechaniczny filtr podczerwieni
Tryb przełączania	automatyczny, manualny, czasowy
Regulacja poziomu przełączania	tak
Harmonogram przełączania	tak
Czujnik światła widzialnego	tak
SIEĆ	
Rozdzielczość strumienia wideo	1920 x 1080 (Full HD), 1280 x 720 (HD), 704 x 576, 480 x 240, 352 x 288
Prędkość przetwarzania	30 kl/s dla 1920 x 1080 (Full HD) i niższych rozdzielczości
Tryb wielostrumieniowy	3 strumienie
Kompresja wideo/audio	H.264, H.264+, H.264 Smart, H.265, H.265+, H.265 Smart, MJPEG/G.711
Liczba jednoczesnych połączeń	maks. 10
Przepustowość	łącznie 60Mb/s
Obsługiwane protokoły sieciowe	HTTP, TCP/IP, IPv4/v6, UDP, HTTPS, FTP, DHCP, DDNS, NTP, RTSP, UPnP, SNMP, QoS, IEEE 802.1X, PPPoE, SMTP
Wsparcie protokołu ONVIF	Profile S
Konfiguracja kamery	z poziomu przeglądarki Internet Explorer języki: polski, angielski, rosyjski, i inne
Kompatybilne oprogramowanie	NMS, NVR-6000 Viewer
Aplikacje mobilne	SuperLive Plus (iPhone, Android)
POZOSTAŁE FUNKCJE	
Strefy prywatności	4
Detekcja ruchu	tak
Obszar obserwacji (ROI)	8
Analiza obrazu	sabotaż, przekroczenie linii, wkroczenie do strefy, wyjście ze strefy, zliczanie obiektów, zmiana sceny, utrata ostrości, zmiana kolorystyki, rozróżnianie obiektów, rozpoznawanie twarzy
Obróbka obrazu	obrót obrazu o 180°, wyostrzanie, odbicie lustrzane, tryb korytarzowy, korekcja efektu dystorsji obiektywu
Prealarm/postalarm	do 6 s/do 120 s

INFORMACJE WSTĘPNE

Reakcja na zdarzenia alarmowe	e-mail z załącznikiem, zapis na FTP, zapis na kartę SD, aktywacja wyjścia alarmowego
Przywracanie ustawień fabrycznych	z poziomu przeglądarki internetowej, za pomocą przycisku reset, za pomocą oprogramowania NMS IPTool
OŚWIETLACZ IR	
Liczba LED	30
Zasięg	30 m
Kąt świecenia	90°
Smart IR	tak (wsparcie programowe)
INTERFEJSY	
Wejścia/wyjścia audio	1 x Jack (3.5 mm)/1 x Jack (3.5 mm) wbudowany mikrofon
Wejścia/wyjścia alarmowe	1 (NO/NC)/1 typu przekaźnik
Interfejs sieciowy	1 x Ethernet - złącze RJ-45, 10/100 Mbit/s
Gniazdo kart pamięci	microSD - pojemność do 128GB
PARAMETRY INSTALACYJNE	
Wymiary (mm)	122 (Φ) x 96 (wys.)
Masa	0.38 kg
Obudowa	plastikowa, w kolorze białym
Zasilanie	PoE, 12 VDC
Zabezpieczenia przeciwprzepięciowe	TVS 4000 V
Pobór mocy	3 W, 6 W (IR wł.)
Temperatura pracy	-10°C ~ 40°C
Wilgotność	maksymalnie 95%, względna (bez kondensacji)

1.3. Wymiary kamery



1.4. Zawartość opakowania

Po otwarciu należy upewnić się czy w opakowaniu znajdują się następujące elementy:

- Kamera IP
- Torebka z akcesoriami montażowymi
- Skrócona instrukcja obsługi.

Jeżeli którykolwiek z elementów został uszkodzony w transporcie, należy spakować zawartość z powrotem do oryginalnego opakowania i skontaktować się z dostawcą.

Przed uruchomieniem urządzenia należy zapoznać się z opisem i rolą poszczególnych wejść, wyjść oraz elementów regulacyjnych, w które wyposażone są kamery.

URUCHAMIANIE I WSTĘPNA KONFIGURACJA

Uwaga:

Jeżeli urządzenie przyniesione zostało z pomieszczenia o niższej temperaturze należy odczekać aż osiągnie temperaturę pomieszczenia, w którym ma pracować. Nie wolno włączać urządzenia bezpośrednio po przyniesieniu z chłodniejszego miejsca. Kondensacja zawartej w powietrzu pary wodnej może spowodować zwarcia i w konsekwencji uszkodzenie urządzenia.

2. URUCHAMIANIE I WSTĘPNA KONFIGURACJA

2.1. Opis złączy elektrycznych kamery

1. Port Ethernet 100 Mb/s (hermetyczne gniazdo RJ-45)

2. Wyjście audio (HP)

3. Wejście audio (MIC)

4. Złącze Alarmowe:

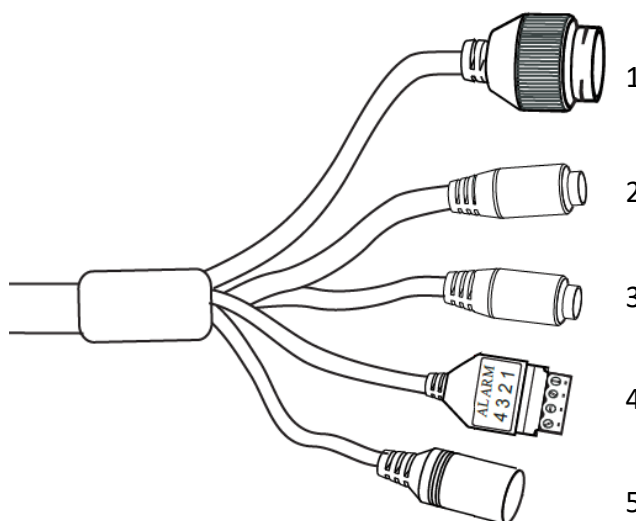
1. Wyjście alarmowe COM

2. Wyjście alarmowe

3. Wejście alarmowe

4. Wejście alarmowe GND

5. Złącze zasilania kamery 12VDC



2.2. Opis elementów kamery

UWAGA! Aby uzyskać dostęp do powyższych elementów (poza mikrofonem), należy zdjąć klosz kamery.

1. Czujnik światła widzialnego

2. Diody oświetlacza IR

3. Dźwignie regulacji obiektywu

4. Przycisk RESET. Dłuższe przytrzymanie przycisku spowoduje powrót do ustawień domyślnych

5. Gniazdo karty micro SD

6. Wbudowany mikrofon



URUCHAMIANIE I WSTĘPNA KONFIGURACJA

2.3 Ustawienia ostrości i ogniskowej

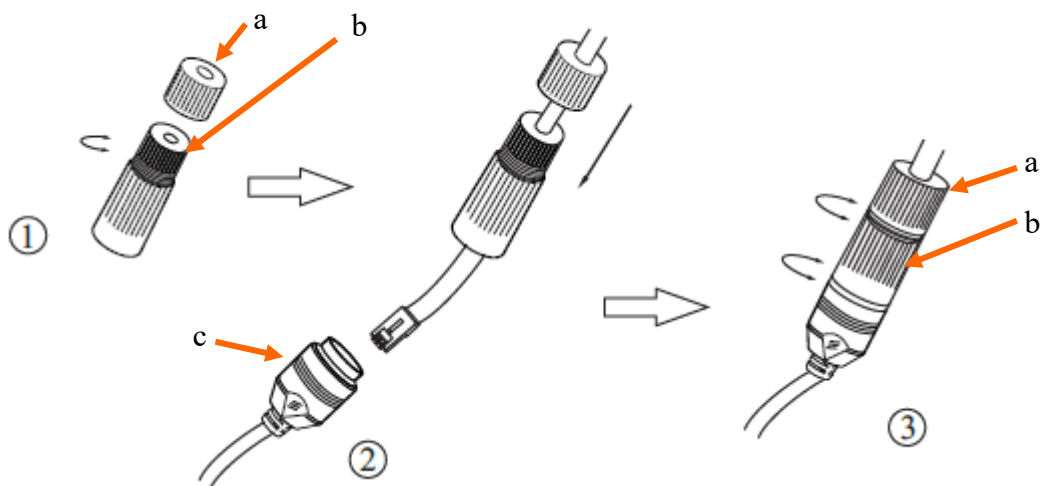
Aby ustawić ostrość i ogniskową należy odkręcić górną pokrywę a następnie za pomocą dostępnych dźwigni dostosować pole widzenia i ostrość.



2.4. Podłączenie kabla sieciowego

Aby zachować hermetyczność połączenia kabla sieciowego należy postępować zgodnie z instrukcją:

1. Odkręcić nakrętkę (a) od głównego elementu zabezpieczającego (b).
2. Poprowadzić kabel sieciowy (bez końcówki) przez oba elementy. Po przełożeniu kabla zaciśnąć końcówkę RJ-45.
3. Podłączyć kabel do gniazda hermetycznego (c), przykręcić główną osłonę (b), a następnie nakrętkę (a).

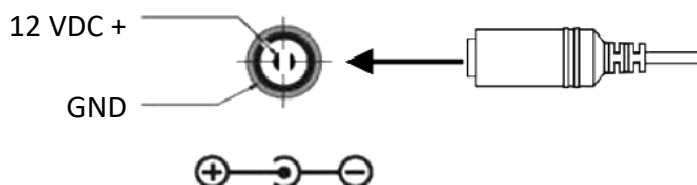


Uwaga! Złącze zasilania 12VDC oraz złącza audio i wejść/wyjść alarmowych nie są hermetyczne. Użytkownik powinien zapewnić szczelność tych gniazd we własnym zakresie.

URUCHAMIANIE I WSTĘPNA KONFIGURACJA

2.5 Podłączenie zasilania

Kamera może być zasilana przez zewnętrzny zasilacz o parametrach zgodnych z zasilaniem kamery lub przez gniazdo sieciowe RJ45 przy wykorzystaniu technologii PoE (IEEE 802.3af). Do zasilenia kamery poprzez PoE należy użyć przełącznika sieciowego lub zasilacza PoE zgodnego ze standardem IEEE 802.3af.



Informacja:

Zasilacz zewnętrzny nie wchodzi w skład zestawu, należy się w niego zaopatrzyć we własnym zakresie.

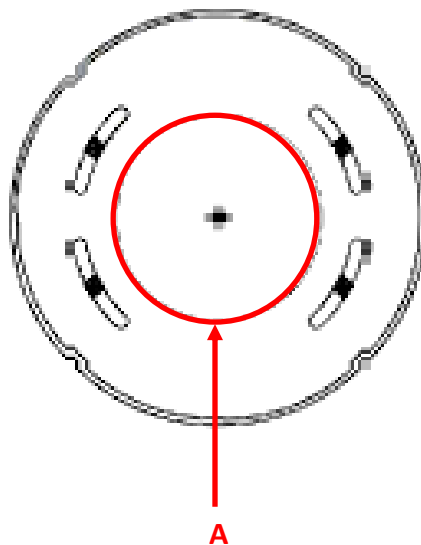
UWAGA:

Nie wolno stosować zasilaczy i adapterów POE niezgodnych z standardem IEEE 802.3af tzw. Zasilaczy „pasywnych POE”. Uszkodzenia wynikłe z zastosowania nieodpowiedniego zasilacza nie podlegają gwarancji!

W celu ochrony kamery przed uszkodzeniem zalecane jest zastosowanie zabezpieczeń przepięciowych. Awarie powstałe w wyniku przepięć nie podlegają naprawie gwarancyjnej.

2.6 Montaż kamery

1. Ruchem przeciwnym do wskazówek zegara zdjąć klosz kamery.
2. Przyłożyć szablon montażowy do powierzchni na której ma zostać zamocowana kamera i używając go jako wzornika zaznaczyć punkty wiercenia.
3. Wywiercić w zaznaczonych miejscach otwory pod wkręty mocujące i przewody oraz otwór na środku odprowadzający ciepło (A).
4. Zamocować podstawę kamery przy użyciu załączonych wkrętów montażowych na płaskim, równym podłożu zapewniającym odpowiednią nośność.
5. Dokonać regulacji położenia modułu kamerowego
6. Dokonać regulacji ogniskowej oraz ostrości odpowiednimi dźwigniami.
7. Założyć klosz dokręcając go zgodnie z ruchem wskazówek zegara



URUCHAMIANIE I WSTĘPNA KONFIGURACJA

2.7. Uruchomienie kamery

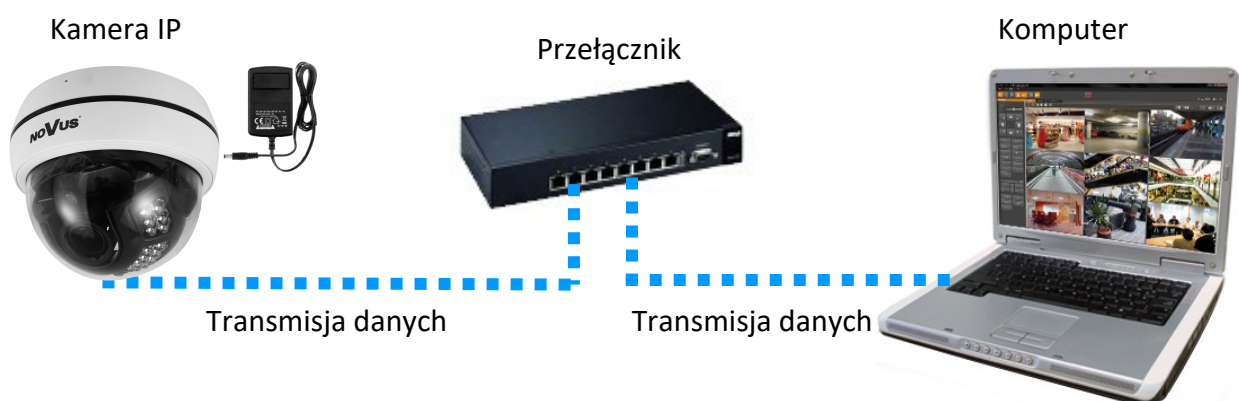
W celu uruchomienia kamery należy podłączyć kabel ethernetowy do gniazda sieciowego RJ45 kamery IP, a drugi koniec do przełącznika sieciowego. Jako źródło zasilania możliwe jest wykorzystanie zewnętrznego stabilizowanego zasilacza o parametrach spełniających wymagania kamery lub przełącznika sieciowego PoE w standardzie zgodnym z IEEE 802.3af.

Zalecaną metodą uruchomienia i konfiguracji kamery IP jest połączenie jej do komputera PC lub laptopa w wydzielonym przełączniku sieciowym, do którego nie ma podłączonych innych urządzeń. W przypadku zasilania z zewnętrznego zasilacza wystarczy zastosować dowolny przełącznik sieciowy, lub kabel podłączony bezpośrednio do komputera. W celu uzyskania danych potrzebnych do konfiguracji sieci (adres IP, brama, maska sieci itd.) należy skontaktować się z administratorem sieci, w której urządzenie ma pracować.

- Połączenie wykorzystujące przełącznik sieciowy PoE



- Połączenie wykorzystujące zewnętrzne zasilanie kamery i przełącznik sieciowy



URUCHAMIANIE I WSTĘPNA KONFIGURACJA

- Połączenie wykorzystujące zewnętrzne zasilanie kamery i kabel ethernetowy

Kamera IP



Komputer



Transmisja danych - kabel ethernetowy skrosowany

Informacja:

Zasilacz zewnętrzny nie wchodzi w skład zestawu., należy się w niego zaopatrzyć we własnym zakresie.

UWAGA:

W celu ochrony kamery przed uszkodzeniem zalecane jest zastosowanie zabezpieczeń przepięciowych. Awarie powstałe w wyniku przepięć nie podlegają naprawie gwarancyjnej.

2.8. Konfiguracja parametrów przy użyciu przeglądarki internetowej

Konfigurację sieciową kamery można przeprowadzić przy pomocy przeglądarki internetowej.

Domyślne ustawienia sieciowe dla kamer IP serii 6000 to :

1. Adres IP = **192.168.1.200**
2. Maska sieci - **255.255.255.0**
3. Brama - **192.168.1.1**
4. Nazwa użytkownika - **root**
5. Hasło - **pass**

Znając adres IP kamery należy ustawić adres IP komputera w taki sposób aby oba urządzenia pracowały w jednej podsieci (dla adresu IP kamery 192.168.1.200 jako adres IP komputera PC możemy ustawić adres z zakresu 192.168.1.0 - 192.168.1.254, np.: 192.168.1.60). Niedopuszczalne jest ustawianie adresu komputera takiego samego jak adres kamery.

Wykorzystując połączenie przez przeglądarkę internetową Internet Explorer lub oprogramowanie NMS należy ustawić docelową konfigurację sieciową (adres IP, maskę sieci, bramę, serwery DNS) lub włączyć tryb pracy DHCP pozwalający na pobranie adresu IP z serwera DHCP (wymagany jest wówczas działający serwer DHCP). W przypadku korzystania z serwera DHCP należy upewnić się co do długości okresu dzierżawy adresu IP, jego powiązania z adresem MAC kamery IP w celu uniknięcia zmiany lub utraty adresu IP w czasie pracy urządzenia lub chwilowej awarii sieci / serwera DHCP. Należy pamiętać że po zmianie adresu IP kamera zostanie zresetowana i trzeba wpisać nowy adres w przeglądarce internetowej. Po konfiguracji ustawień sieciowych pozwalających na bezkonfliktową pracę urządzenia, kamerę IP możemy podłączyć do sieci docelowej.

URUCHAMIANIE I WSTĘPNA KONFIGURACJA

2.9. Zalecenia dotyczące bezpieczeństwa sieci

UWAGA!

Poniżej zostały przedstawione podstawowe zalecenia dotyczące budowy oraz konfiguracji systemów telewizji dozorowej podłączonych do sieci Internet, pozwalające ograniczyć ryzyko nieautoryzowanej ingerencji w system przez osoby trzecie.

1. Bezwzględnie należy zmienić domyślne hasła dostępu oraz nazwy użytkowników (jeśli dane urządzenia dają taką możliwość) wszystkich zastosowanych urządzeń sieciowych (tzn. rejestratora, kamer, routerów, przełączników sieciowych itp.) na hasła o znacznym stopniu skomplikowania. W zależności od możliwości konfiguracji danego urządzenia zaleca się, aby hasło zawierało: małe litery, wielkie litery, cyfry oraz znaki specjalne.

2. W zależności od dostępnej funkcjonalności w celu ograniczenia dostępu do zastosowanych urządzeń sieciowych na poziomie konta administratora zaleca się odpowiednią konfigurację kont użytkowników.

3. Bezwzględnie zabronione jest wykorzystywanie funkcji DMZ (Demilitarized zone - strefa zdemilitaryzowana). Zastosowanie tej funkcji otwiera dostęp do systemu od strony sieci Internet na wszystkich możliwych portach, co w znacznym stopniu ułatwia ewentualną nieautoryzowaną ingerencję w system.

Zamiast wykorzystywania funkcji DMZ należy zastosować przekierowanie portów. Przekierowane powinny zostać jedynie porty niezbędne do realizacji połączenia (szczegółowych informacji na temat portów komunikacji w poszczególnych modelach rejestratorów, kamer itp. należy szukać w instrukcjach obsługi urządzeń).

4. Należy stosować routery wyposażone w funkcję zapory sieciowej (Firewall) oraz upewnić się że funkcja jest włączona oraz odpowiednio skonfigurowana.

5. Jeśli urządzenia sieciowe posiadają taką funkcjonalność zalecana jest zmiana domyślnych numerów portów wykorzystywanych do komunikacji sieciowej.

6. Jeśli urządzenia sieciowe posiadają funkcję UPnP i nie jest ona wykorzystywana, należy ją bezwzględnie wyłączyć.

7. Jeśli urządzenia sieciowe posiadają funkcję P2P i nie jest ona wykorzystywana, należy ją wyłączyć.

8. Jeśli urządzenia sieciowe obsługują protokół HTTPS do realizacji połączeń zaleca się jego stosowanie.

9. Jeśli urządzenia sieciowe obsługują funkcję filtracji adresów IP uprawnionych do nawiązywania połączenia zaleca się jej wykorzystywanie.

10. Jeśli zastosowany rejestrator sieciowy wyposażony jest w dwa interfejsy sieciowe zaleca się odseparowanie sieci do której podłączone są kamery od sieci posiadającej połączenie internetowe. Dzięki temu urządzeniem dostępnym z poziomu sieci Internet będzie rejestrator natomiast połączenie z kamerami nie będzie możliwe.

POŁĄCZENIA SIECIOWE ZA POMOCĄ PRZEGLĄDARKI WWW

3. POŁĄCZENIA SIECIOWE ZA POMOCĄ PRZEGLĄDARKI WWW

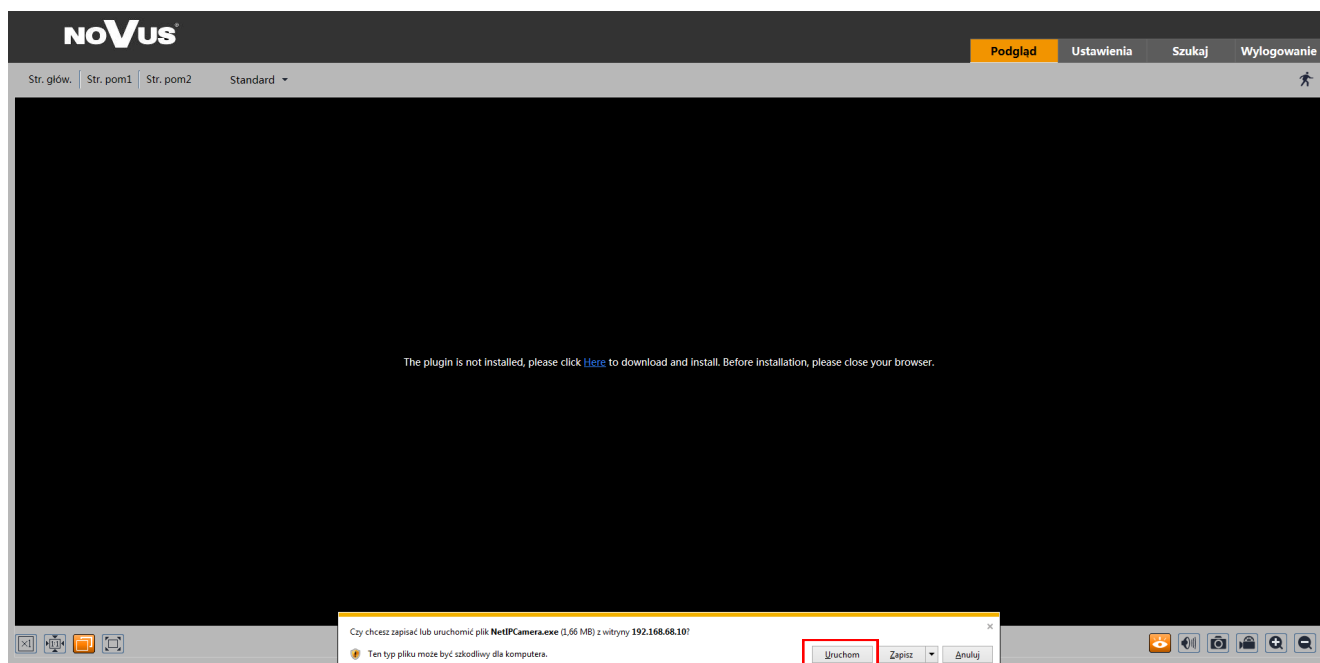
3.1. Zalecana konfiguracja komputera PC do połączeń przez przeglądarkę WWW

Poniższe wymagania dotyczą połączenia z kamerą IP przy założeniu płynnego wyświetlania obrazu wideo w rozdzielczości 1920 x 1080 dla 30k/s.

1. Procesor **Intel Core i3 3GHz** lub wyższy
2. Pamięć **RAM min. 4 GB**
3. Karta grafiki (dowolna **Nvidia GeForce 512MB Ram** lub odpowiednik)
4. System operacyjny **Windows 7/8/8.1/10**
5. Karta sieciowa **100/1000 Mb/s**

3.2. Połączenie sieciowe z kamerą IP za pomocą przeglądarki WWW

W pasku adresu przeglądarki WWW należy wpisać adres IP kamery. Jeśli podany adres jest prawidłowy i docelowe urządzenie jest w danej chwili osiągalne, przed pierwszym logowaniem należy zaakceptować i zainstalować dodatek NetIPCamera.



POŁĄCZENIA SIECIOWE ZA POMOCĄ PRZEGLĄDARKI WWW

Jeżeli dla przeglądarki Internet Explorer instalacja przeprowadzona w ten sposób się nie powiedzie należy zmienić ustawienia zabezpieczeń przeglądarki. Aby to zrobić należy w przeglądarce Internet Explorer wybrać: *Narzędzia > Opcje internetowe > Zabezpieczenia > Poziom niestandardowy* i następnie zmienić:

- Pobieranie niepodpisanych formantów ActiveX - należy ustawić **Włącz** lub **Monituj**
- Inicjowanie i wykonywanie skryptów formantów ActiveX niezaznaczonych jako bezpieczne do wykonywania - należy ustawić **Włącz** lub **Monituj**

Można również dodać adres IP kamer do strefy *Zaufane witryny* i ustawić dla tej strefy niski poziom zabezpieczeń.

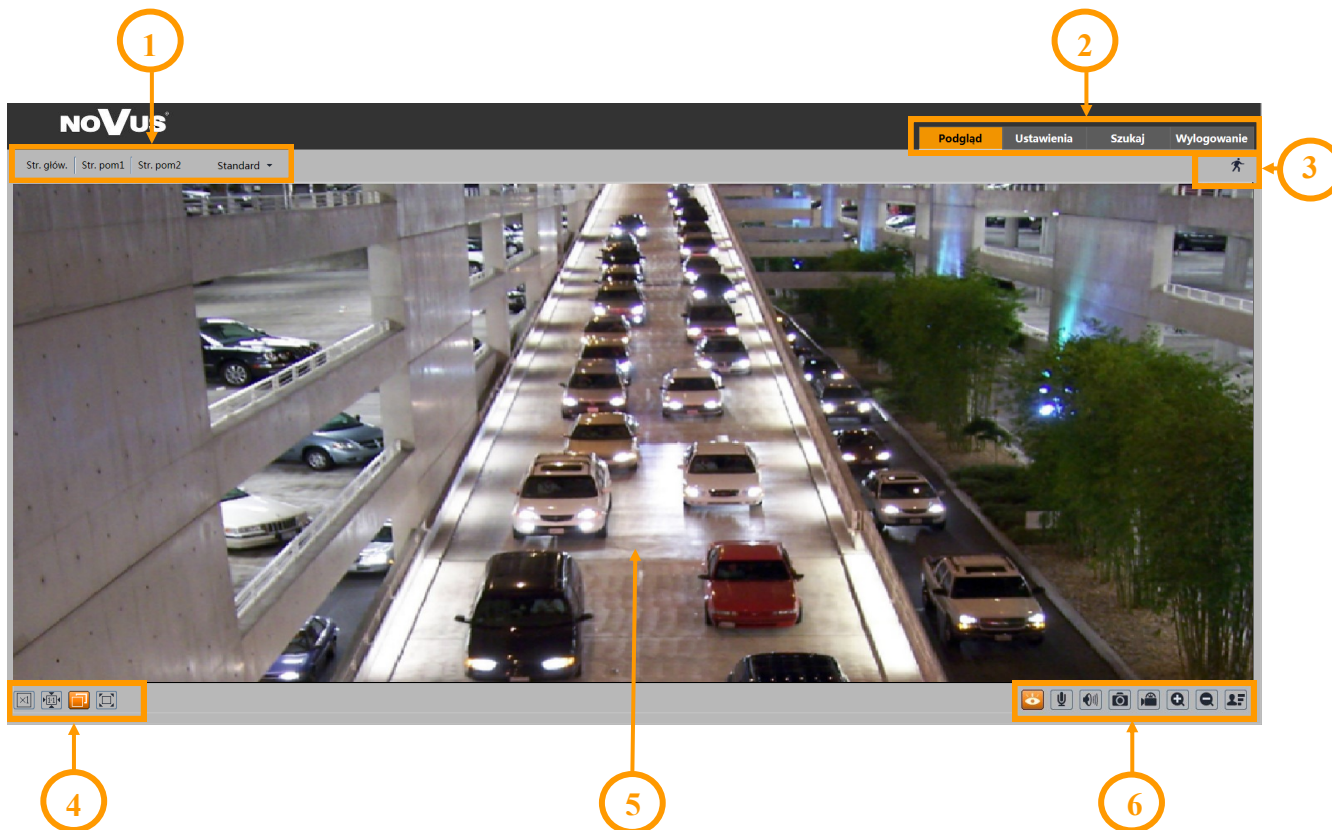
Dodatkowo w przypadku pracy w systemie Windows 7 / 8 / 8.1 / 10 możliwe jest zablokowanie apletu ActiveX przez Windows Defender i Kontrolę konta użytkownika. W takim przypadku należy zezwolić na uruchamianie dodatku lub po prostu wyłączyć działanie blokujących aplikacji.

Po zainstalowaniu dodatku możliwe będzie zalogowanie się do kamery. Domyślny użytkownik to **root**, a hasło **pass**. Ze względów bezpieczeństwa zaleca się zmianę domyślnych wartości. Nową nazwę użytkownika i hasło należy zapamiętać lub zapisać w bezpiecznym miejscu.

INTERFEJS WWW - PRACA Z KAMERA

4. INTERFEJS WWW - PRACA Z KAMERA

4.1. Widok okna zdalnego podglądu



1. Wybór strumienia do wyświetlania w oknie podglądu oraz ustawienie rozmiaru bufora kamery.

2. Przyciski wyboru trybu pracy i konfiguracji kamery:

- | | |
|-------------|---|
| Podgląd | - włącza podgląd strumienia na żywo |
| Ustawienia | - wyświetla panel konfiguracyjny kamery |
| Szukaj | - wyświetla panel wyszukiwania i odtwarzania nagrań z karty pamięci |
| Wylogowanie | - wylogowuje z kamery |

3. Panel wyświetlania ikon zdarzeń alarmowych:



Od lewej: zmiana kolorystyki, sabotaż, zmiana sceny, wtargnięcie, zliczanie obiektów, opuszczenie obszaru, wkroczenie w obszar, przekroczenie linii, rozpoznawanie twarzy, detekcja ruchu.

Wystąpienie danego zdarzenia jest sygnalizowane migającym czerwonym kolorem.

4. Przyciski ustawiania obrazu:



Od lewej: rozmiar oryginalny, proporcje oryginalne, automatyczne dopasowanie do okna, pełny ekran.

POŁĄCZENIA ELEKTRYCZNE I ZŁĄCZA AKCESORIÓW

5. Okno podglądu na żywo.

Dwukrotne kliknięcie lewym przyciskiem myszy na oknie podglądu włącza i wyłącza wyświetlanie obrazu na całym ekranie.

6. Przyciski sterujące funkcjami kamery:



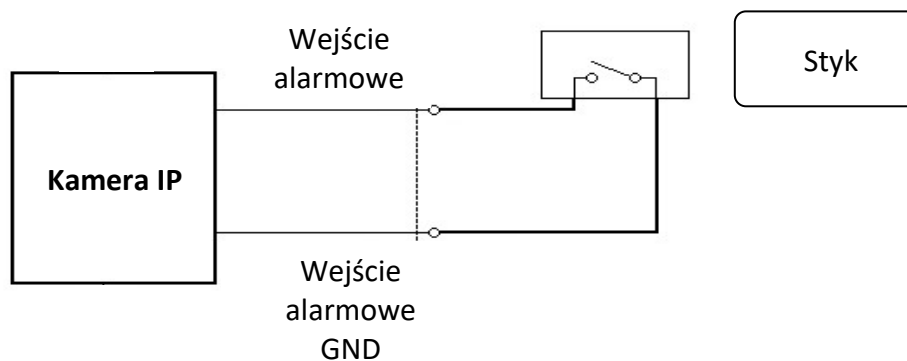
Od lewej: włącza/wyłącza podgląd na żywo, włącza/wyłącza audio, regulacja głośności, wykonuje zdjęcie, włącza/wyłącza nagrywanie, przyciski cyfrowego zoomu, włącza/wyłącza panel wyświetlający zdjęcia rozpoznanych twarzy.

5. POŁĄCZENIA ELEKTRYCZNE I ZŁĄCZA AKCESORIÓW

5.1. Opis podłączenia wejść i wyjść alarmowych.

Wejście alarmowe

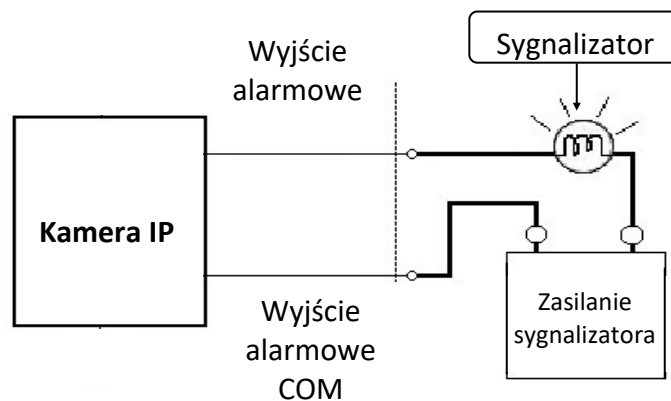
- Typowe połączenia wejścia alarmowego



Wyjście alarmowe

Wyjście alarmowe kamery jest wyjściem przekaźnikowym.

- Typowe połączenia przekaźnikowego wyjścia alarmowego.



POŁĄCZENIA ELEKTRYCZNE I ZŁĄCZA AKCESORIÓW

5.2. Instalacja karty SD

Kamera obsługuje karty microSD/SDHC o pojemności do 128 GB. W celu prawidłowej instalacji karty należy postępować zgodnie z instrukcją:

- Wyłączyć zasilanie kamery
- Zdjąć klosz kamery przekręcając go odwrotnie od ruchu wskazówek zegara
- Zainstalować kartę SD w gnieździe znajdującym się przy podstawie kamery zgodnie z rysunkiem

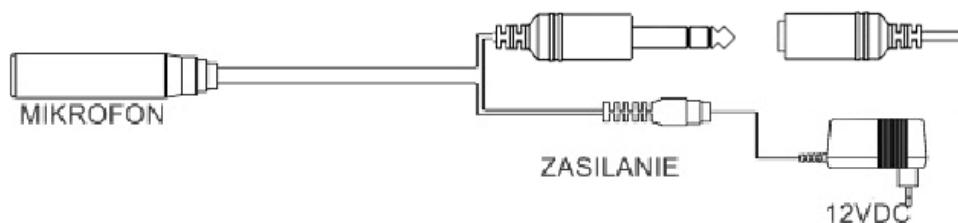


Slot karty pamięci

- Zamocować klosz ponownie
- Włączyć kamerę
- Sprawdzić poprawność zainstalowania karty przez zweryfikowanie jej rozmiaru w zakładce „Ustawienia -> System -> Karta SD”.

5.3. Podłączenie audio do kamery

Wyjście audio kamery umożliwia podłączenie mikrofonu aktywnego (posiadającego własne zasilanie).



PRZYWRACANIE USTAWIEŃ FABRYCZNYCH

6. PRZYWRACANIE USTAWIEŃ FABRYCZNYCH

Kamery IP firmy NOVUS umożliwiają resetowanie ustawień:

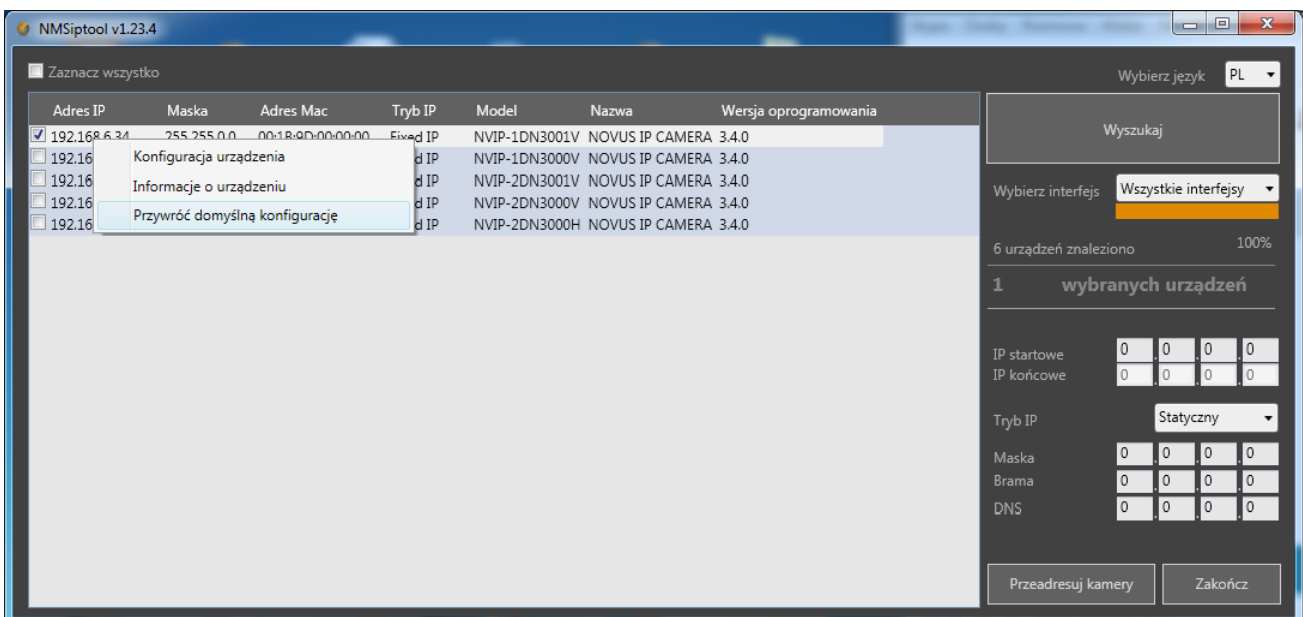
- programowo (z poziomu przeglądarki)
- programowo (z poziomu programu NMSiptool)
- sprzętowo (przy użyciu przycisku reset)

6.1. Programowe przywracanie ustawień fabrycznych

Przywracanie ustawień fabrycznych kamery powoduje powrót ustawień kamery do wartości fabrycznych. Zaznaczenie wybranej opcji „Zatrzymaj” pozwala na zachowanie ustawień sieci, konfiguracji zabezpieczeń lub konfiguracji obrazu bez zmian. Opcja przywracania ustawień fabrycznych znajduje się w zakładce „Ustawienia -> Konserwacja -> Kopia zapasowa -> Ustawienia fabryczne”.

6.2. Programowe przywracanie ustawień fabrycznych z wykorzystaniem programu NMSiptool

Za pomocą programu NMSiptool (wersja 1.39 lub wyższa) użytkownik może przywrócić ustawienia fabryczne. Odbywa się to poprzez wybranie kamery, kliknięcie prawym przyciskiem myszy i wybranie opcji „Przywróć domyślną konfigurację”. Następnie, w ciągu 30 sekund od momentu wybrania opcji, należy odłączyć kamery z zasilania i ponownie podłączyć.



PRZYWRACANIE USTAWIEŃ FABRYCZNYCH

6.3. Sprzętowe przywracanie ustawień fabrycznych

W celu sprzętowego przywrócenia ustawień fabrycznych kamery IP należy postępować zgodnie z instrukcją:



- Zdjąć klosz, przekręcając go ruchem przeciwnym do ruchu wskazówek zegara.
- Nacisnąć przycisk RESET i przytrzymać przez 10 sekund
- Zwolnić przycisk
- Zamocować klosz ponownie
- Zalogować się ponownie po ok. 30 sekundach używając domyślnego adresu IP (<http://192.168.1.200>), nazwy użytkownika (root) i hasła (pass)

noVus[®]

AAT SYSTEMY BEZPIECZEŃSTWA Sp. z o.o.
ul. Puławska 431, 02-801 Warszawa
tel.: (22) 546 0 700, fax: (22) 546 0 719
www.novuscctv.com