

User's manual (short form)



eng

NVIP-4V-6511/F

noVus[®]

IMPORTANT SAFEGUARDS AND WARNINGS

THE PRODUCT MEETS THE REQUIREMENTS CONTAINED IN THE FOLLOWING DIRECTIVES:



DIRECTIVE 2014/30/EU OF THE EUROPEAN PARLIAMENT AND OF THE COUNCIL of 26 February 2014 on the harmonisation of the laws of the Member States relating to electromagnetic compatibility (OJ L 96, 29.3.2014, p. 79–106, with



DIRECTIVE 2012/19/EU OF THE EUROPEAN PARLIAMENT AND OF THE COUNCIL of 4 July 2012 on waste electrical and electronic equipment (WEEE) (OJ L 197, 24.7.2012, p. 38–71, with changes)

This appliance is marked according to the European 1000VAC Directive on Waste Electrical and Electronic Equipment (2012/19/EU) and further amendments. By ensuring this product is disposed of correctly, you will help to prevent potential negative consequences for the environment and human health, which could otherwise be caused by inappropriate waste handling of this product.

The symbol on the product, or the documents accompanying the product, indicates that this appliance may not be treated as household waste. It shall be handed over to the applicable collection point for used up electrical and electronic equipment for recycling purpose. For more information about recycling of this product, please contact your local authorities, your household waste disposal service or the shop where you purchased the product.



DIRECTIVE 2011/65/EU OF THE EUROPEAN PARLIAMENT AND OF THE COUNCIL of 8 June 2011 on the restriction of the use of certain hazardous substances in electrical and electronic equipment (OJ L 174, 1.7.2011, p. 88–110, with changes)

Out of concern for human health protection and friendly environment, we assure that our products falling under RoHS Directive regulations, regarding the restriction of the use of hazardous substances in electrical and electronic equipment, have been designed and manufactured in compliance with the above mentioned regulations. Simultaneously, we claim that our products have been tested and do not contain hazardous substances whose exceeding limits could have negative impact on human health or natural environment

Information

The device, as a part of professional CCTV system used for surveillance and control, is not designed for self installation in households by individuals without technical knowledge.

Excluding of responsibility in case of damaging data on a disk or other devices:

The manufacturer does not bear any responsibility in case of damaging or losing data on a disk or other devices during device operation.

WARNING!

PRIOR TO UNDERTAKING ANY ACTION THAT IS NOT DESCRIBED FOR THE GIVEN PRODUCT IN USER'S MANUAL AND OTHER DOCUMENTS DELIVERED WITH THE PRODUCT, OR IF IT DOES NOT ARISE FROM THE USUAL APPLICATION OF THE PRODUCT, MANUFACTURER MUST BE CONTACTED UNDER THE RIGOR OF EXCLUDING THE MANUFACTURER'S RESPONSIBILITY FOR THE RESULTS OF SUCH AN ACTION.



IMPORTANT SAFEGUARDS AND WARNINGS

WARNING!

THE KNOWLEDGE OF THIS MANUAL IS AN INDESPENSIBLE CONDITION OF A PROPER DEVICE OPERATION. YOU ARE KINDLY REQUESTED TO FAMILIRIZE YOURSELF WITH THE MANUAL PRIOR TO INSTALLATION AND FURTHER DEVICE OPERATION.

WARNING!

USER IS NOT ALLOWED TO DISASSEMBLE THE CASING AS THERE ARE NO USER -SERVICEABLE PARTS INSIDE THIS UNIT. ONLY AUTHORIZED SERVICE PERSONNEL MAY OPEN THE UNIT

INSTALLATION AND SERVICING SHOULD ONLY BE DONE BY QUALIFIED SERVICE PERSONNEL AND SHOULD CONFORM TO ALL LOCAL REGULATIONS

1. Prior to undertaking any action please consult the following manual and read all the safety and operating instructions before starting the device.
2. Please keep this manual for the lifespan of the device in case referring to the contents of this manual is necessary;
3. All the safety precautions referred to in this manual should be strictly followed, as they have a direct influence on user's safety and durability and reliability of the device;
4. All actions conducted by the servicemen and users must be accomplished in accordance with the user's manual;
5. The device should be disconnected from power sources during maintenance procedures;
6. Usage of additional devices and components neither provided nor recommended by the producer is forbidden;
7. You are not allowed to use the camera in high humidity environment (i.e. close to swimming pools, bath tubs, damp basements);
8. Mounting the device in places where proper ventilation cannot be provided (e. g. closed lockers etc.) is not recommended since it may lead to heat build-up and damaging the device itself as a consequence;
9. Mounting the camera on unstable surface or using not recommended mounts is forbidden. Improperly mounted camera may cause a fatal accident or may be seriously damaged itself. The camera must be mounted by qualified personnel with proper authorization, in accordance with this user's manual;
10. Device should be supplied only from a power sources whose parameters are in accordance with those specified by the producer in the camera technical datasheet. Therefore, it is forbidden to supply the camera from a power sources with unknown parameters, unstable or not meeting producer's requirements;

Due to the product being constantly enhanced and optimized, certain parameters and functions described in the manual in question may change without further notice.

We strongly suggest visiting the www.novuscctv.com website in order to access the newest manual.

TABLE OF CONTENTS

TABLE OF CONTENTS	4
1. FOREWORD INFORMATION	5
1.1. General characteristics	5
1.2. Technical specification	6
1.3. Camera dimensions	7
1.4. Package contents	7
2. START-UP AND INITIAL IP CAMERA CONFIGURATION	8
2.1. Description of connectors and control tools	8
2.2. Ethernet cable connecting	9
2.3. Camera mounting	10
2.4. Starting the IP camera	11
2.5. Initial configuration via the web browser	12
2.6. Security recommendations for network architecture and configuration	13
3. NETWORK CONNECTION USING WEB BROWSER	14
3.1. Recommended PC specification for web browser	14
3.2. Connection with IP camera via web browser	14
4. WWW INTERFACE - WORKING WITH IP CAMERA	16
4.1. Displaying live video.	16
5. ELECTRIC CONNECTORS AND ACCESORIES	17
5.1. MicroSD card installation	17
6. FACTORY SETTINGS RESTORING	18
6.1. Software factory settings restoring via web browser	18
6.2. Software factory settings restoring via NMS IPTool	18
6.3. Hardware factory settings restoring	19

eng

FOREWORD INFORMATION

1. FOREWORD INFORMATION

1.1. General Characteristics

- Sensor resolution: 4.0 megapixels
- Mechanical IR cut filter (IR operation capability)
- Min. Illumination from 0.005 lx
- Wide Dynamic Range (WDR) for enhanced image quality in diverse light conditions
- Built-in webserver: camera configuration through the website
- Video compression: H.264, H.264+, H.264 Smart, H.265, H.265+, H.265 Smart , MJPEG
- Max. video resolution up to 2592 x 1520
- Electronic Shutter from 1/3 s to 1/100000 s.
- Digital Noise Reduction (DNR)
- Highlight Compensation
- Back Light Compensation
- Reduction of image flicker (Antiflicker)
- The compression, resolution, speed and quality can be defined individually for each stream
- Supports up to 3 streams
- ONVIF Protocol Support
- RTSP protocol support for video transmission
- ROI zones
- Privacy Zones
- Micro SD Card Slot, capacity up to 128 GB
- Audio input with built-in microphone
- Reset button
- Video content analysis based on Deep Learning with Human/Vehicle object classification
- Wide range of responses to alarm events: e-mail with attachment, SD card, FTP server
- Software: NMS (NOVUS MANAGEMENT SYSTEM) for video recording, live monitoring, playback and remote IP devices administration
- Power supply: 12 VDC / PoE

FOREWORD INFORMATION

1.2. Technical specification

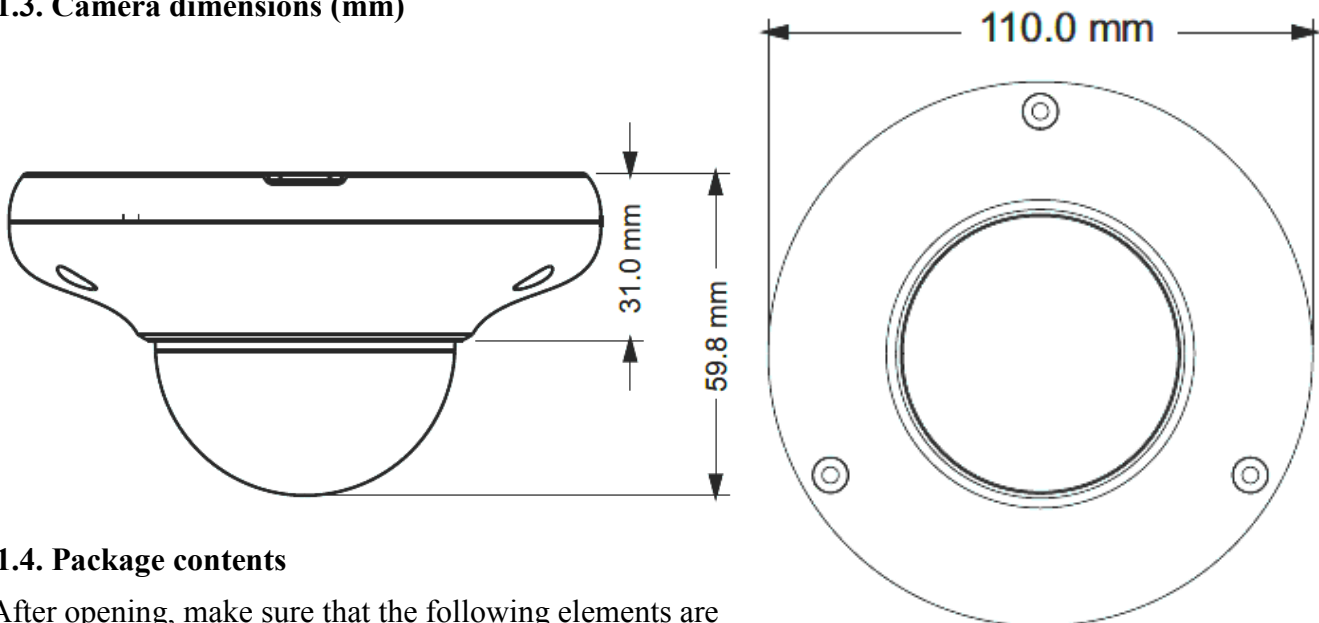
IMAGE	
Image Sensor	4 MPX CMOS sensor 1/3" SmartSens
Number of Effective Pixels	2592 (H) x 1520 (V)
Min. Illumination	0.005 lx/F1.6 - color mode, 0 lx (IR on) - B/W mode
Electronic Shutter	auto/manual: 1/3 s ~ 1/100000 s
Digital Slow Shutter (DSS)	up to 1/3 s
Wide Dynamic Range (WDR)	yes (double scan sensor), 120dB
Digital Noise Reduction (DNR)	2D, 3D
Defog Function (F-DNR)	yes
Highlight Compensation (HLC)	yes
Back Light Compensation (BLC)	yes
Reduction of image flicker (Antiflicker)	yes
LENS	
Lens Type	standard, f=2.8 mm/F1.6
DAY/NIGHT	
Switching Type	mechanical IR cut filter
Switching Mode	auto, manual, time
Switching Level Adjustment	yes
Switching Delay	2 ~ 120 s
Switching Schedule	yes
Visible Light Sensor	yes
NETWORK	
Stream Resolution	2592 x 1520, 2560 x 1440 (QHD), 2304 x 1296, 1920 x 1080 (Full HD), 1280 x 720 (HD), 640 x 480 (VGA), 480 x 240, 320 x 240 (QVGA)
Frame Rate	30 fps for 2592 x 1520, 60 fps for 1920 x 1080 (Full HD) and lower resolutions
Multistreaming Mode	3 streams
Video/Audio Compression	H.264, H.264+, H.264 Smart, H.265, H.265+, H.265 Smart, MJPEG/G.711
Number of Simultaneous Connections	max. 10
Bandwidth	60 Mb/s in total
Network Protocols Support	HTTP, TCP/IP, IPv4, IPv4/v6, UDP, HTTPS, Multicast, FTP, DHCP, DDNS, NTP, RTSP, UPnP, SNMP, QoS/DSCP, IEEE 802.1X, PPPoE, SMTP, ICMP, Unicast
ONVIF Protocol Support	Profile S/G
Camera Configuration	from Internet Explorer browser languages: Polish, English, Russian, and others
Compatible Software	NMS, NVR-6000 Viewer
Mobile applications	SuperLive Plus (iPhone, Android)
OTHER FUNCTIONS	
Privacy Zones	4 video mask type: single color or 1 video mask type: mosaic
Motion Detection	yes
Region of interest (ROI)	8
Video Content Analysis (VCA)	tamper, abandoned object, object disappearance, line cross, zone entrance, zone exit, object counting, face detection, pedestrian detection, cross counting, Scene Change, Video Blurred, Video Color Cast, objects distinguishing, people counting, vehicle detection, vehicle counting
Image Processing	180° image rotation, sharpening, mirror effect, corridor mode, vertical flip, horizontal flip, lens distortion correction
Prealarm/Postalarm	up to 6 s/up to 120 s
System Reaction to Alarm Events	e-mail, e-mail with attachment, saving file on FTP server, saving file on SD card
Restoring default settings	via web browser, using reset button, via NMS IPTool software

FOREWORD INFORMATION

IR LED	
LED Number	2
Range	20 m
Smart IR	yes (software support)
INTERFACES	
Audio Input/Output	1 x Jack (3.5 mm)/- built-in microphone
Network Interface	1 x Ethernet - RJ-45 interface, 10/100 Mbit/s
Memory Card Slot	microSD - capacity up to 128GB
INSTALLATION PARAMETERS	
Dimensions (mm)	110 (Φ) x 60 (H)
Weight	0.4 kg
Degree of Protection	IP 66 (details in other parts of the user's manual)
Enclosure	vandalproof IK10 impact rating aluminium, white
Power Supply	PoE, 12 VDC
Surge protection	TVS 4000 V
Power Consumption	4 W, 6 W (IR on)
Operating Temperature	-30°C ~ 60°C
Humidity	max. 95%, relative (non-condensing)

eng

1.3. Camera dimensions (mm)



1.4. Package contents

After opening, make sure that the following elements are inside:

- IP camera
- Accessories bag
- Short version of user's manual

If any of this elements has been damaged during transport, pack all the elements back into the original box and contact your supplier for further assistance.

CAUTION!

It is forbidden to use – as the camera power source – PoE equipment (adapters, etc.) not compatible with IEEE 802.3af standard (items called “passive PoE power supply”). Damages caused by the usage of improper power supply source are not covered by the warranty.

START-UP AND INITIAL IP CAMERA CONFIGURATION

2. START-UP AND INITIAL IP CAMERA CONFIGURATION

CAUTION!

If the device was brought from a location with lower temperature, please wait until it reaches the temperature of location it is currently in. Turning the device on immediately after bringing it from a location with lower ambient temperature is forbidden, as the condensing water vapour may cause short-circuits and damage the device as a result.

Before starting the device familiarize yourself with the description and the role of particular inputs, outputs and adjusting elements that the device is equipped with.

eng

2.1 Description of connectors and control tools



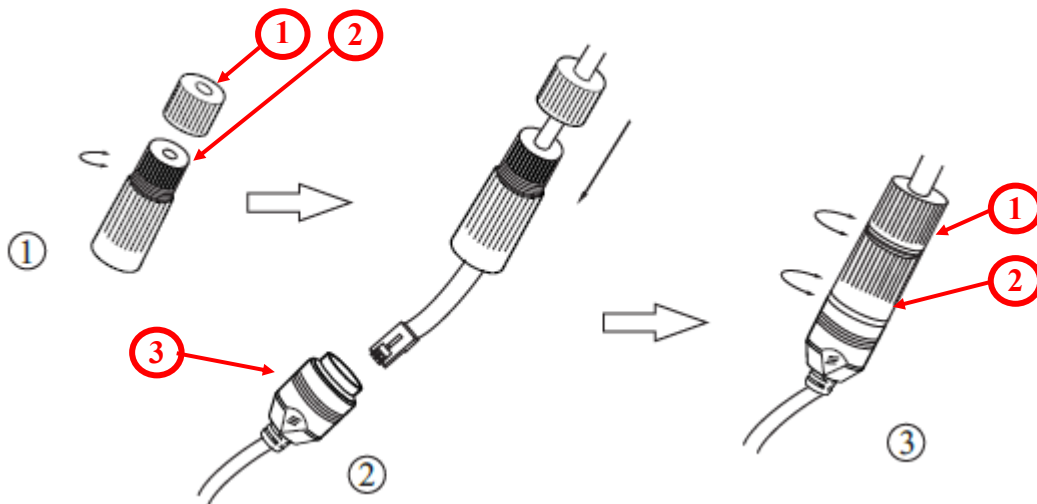
1. 100 Mb/s Ethernet port (PoE RJ-45 connector)
2. Audio input (Jack 3.5mm)
3. Power supply 12VDC
4. MicroSD card slot
5. Reset button

START-UP AND INITIAL IP CAMERA CONFIGURATION

2.2. Ethernet cable connecting

To maintain tightness of ethernet cable connection, please follow instruction below:

1. Unscrew the nut (1) from the connector cover (2).
2. Route the network cable (without the RJ-45 plug) through the components (1) and (2), than crimp the RJ-45 connector.
3. Plug the RJ-45 connector into the hermetic socket (3), screw the connector cover (2), and than the nut (1).



CAUTION!

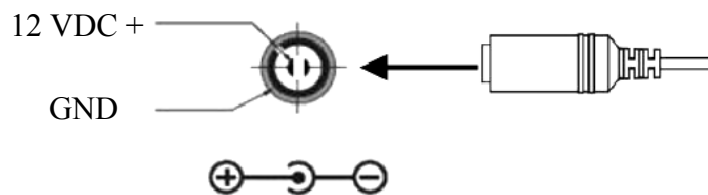
The declared degree of protection of the camera relates to its housing and does not take into account the possibility of moisture infiltration into the camera by connection cables. Connection cables protection through i.e. sealing up is the camera installer duty. The manufacturer is not liable for any camera damages caused as a result of failing in performing that activity by installer, which also means that camera damaged in that way is not subject to warranty repairs.

CAUTION!

Camera power supply connector is not hermetic. Installer should seal this connector by himself.

Camera can be supplied using external power supply unit corresponding with the camera parameters or by using RJ45 network socket and PoE (802.3af) power supply unit. If you're using external power supply please connect wires according to polarisation shown on picture:

Schema of 12VDC power supply connector



CAUTION!

In order to provide protection against voltage surges/lightning strikes, usage of appropriate surge protectors is advised. Any damages resulting from surges are not eligible for service repairs.

START-UP AND INITIAL CAMERA CONFIGURATION

2.3. Camera mounting

To mount a camera please follow the instructions below:

- Unscrew the screws from upper camera cover.
- Remove the camera cover.
- Put the bracket to the wall in a desired mounting place (with cable hole). Take the drill pattern and mark future drilling holes for screws and wires.
- Drill holes in accordance with previously done markings and base hole placement.
- If necessary mount microSD card in the socket.
- Connect the camera wires.
- Mount the camera base using the supplied plugs and screws.
- Adjust camera position.
- Put on the camera cover and screw the screws.



CAUTION!

Please note that the wall or ceiling must have enough strength to carry the IP Camera.

CAUTION!

In order to obtain declared degree of protection please seal the camera bracket to prevent water getting inside. Furthermore, when installing the bracket on rough/uneven surfaces, please additionally seal the junction with appropriate sealing mass. Please pay special attention to any mounting holes and if they are a loop-through ones, seal them too.

START-UP AND INITIAL CAMERA CONFIGURATION

2.4. Starting the IP camera

To run NOVUS IP camera you have to connect ethernet cable between camera and network PoE switch with PoE support (IEEE 802.3af).

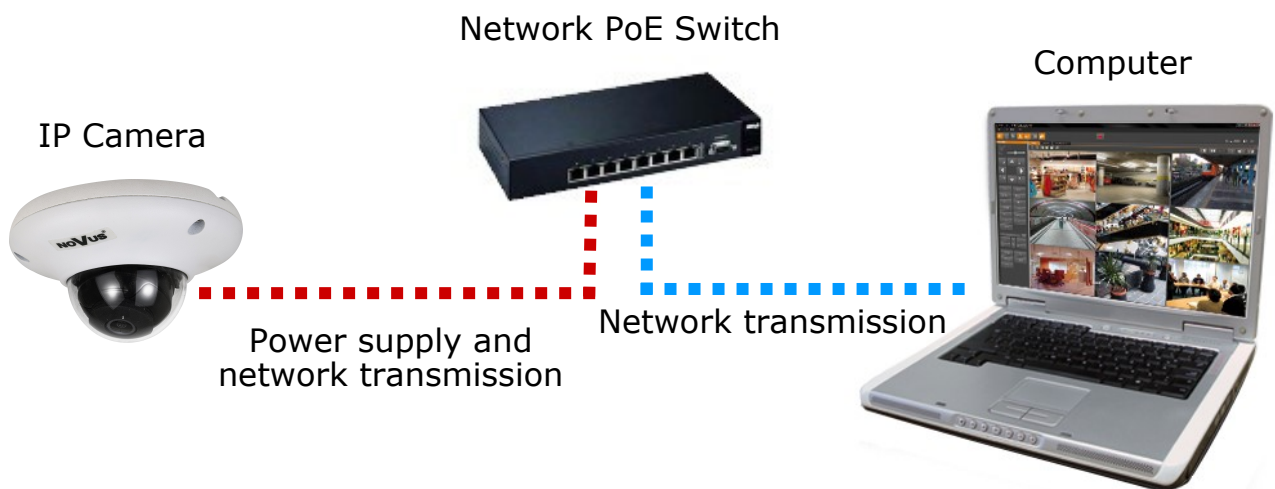
You can also power it from 12VDC power supply compatible with camera power supply specification.

After connecting power status red LED should light on. Initialization process takes about 2 minutes. Then you can connect to the camera via web browser.

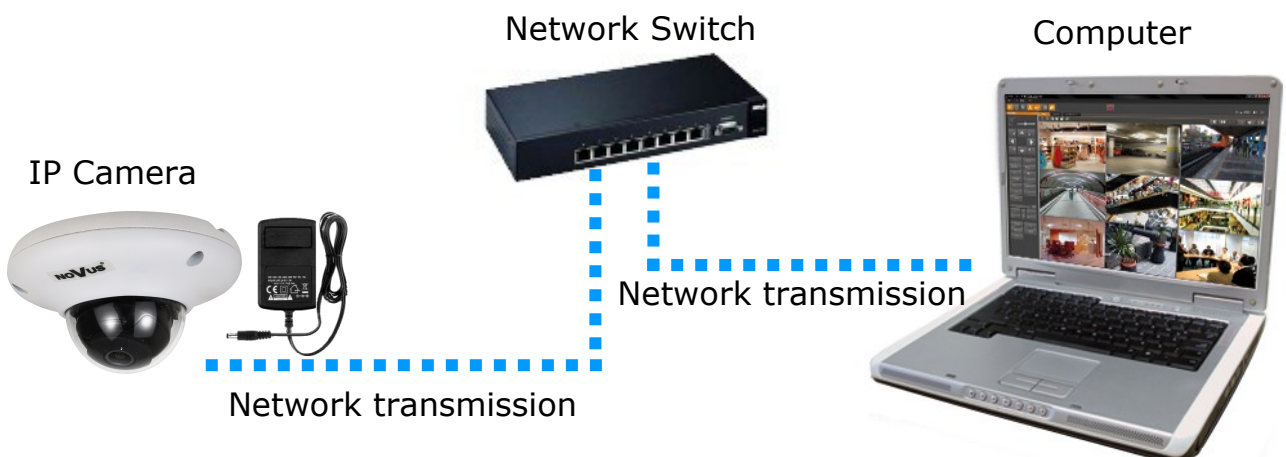
The recommended way to start an IP camera and perform its configuration is a direct connection to the network switch which is not connected to other devices. To obtain further information about network configuration parameters (IP address, gateway, network mask, etc.) please contact your network administrator.

eng

- Connection using network switch with PoE support

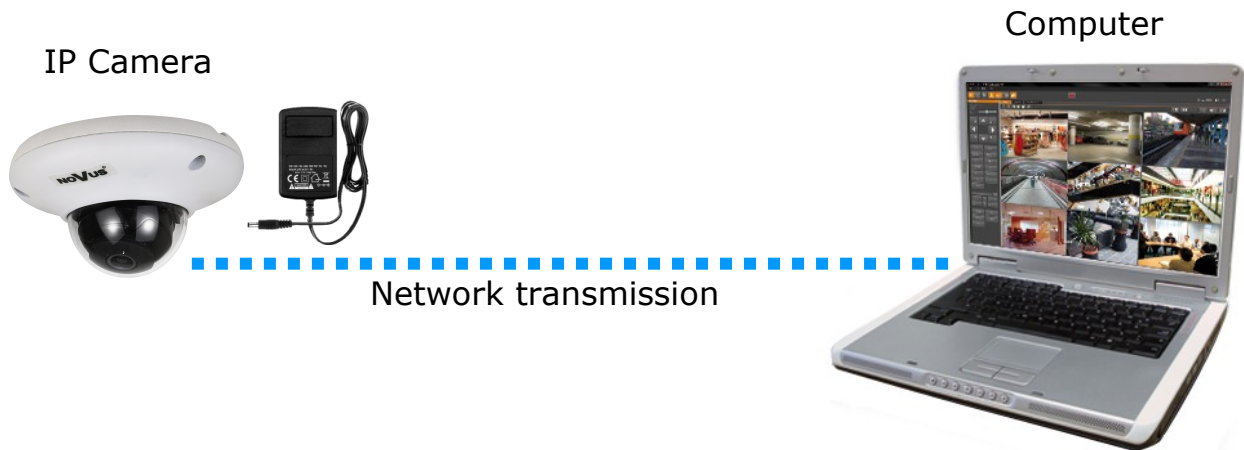


- Connection using external power supply and network switch



START-UP AND INITIAL CAMERA CONFIGURATION

- Connection using external power supply directly to the computer



Information:

Power supply adapter is not included. Please use power adapter with parameters specified in user 's manual.

2.5. Initial configuration via the web browser

The default network settings for camera are :

1. IP address= **192.168.1.200**
2. Network mask - **255.255.255.0**
3. Gateway - **192.168.1.1**
4. User name - **root**
5. Password - **pass**

Knowing the camera's IP address you need to appropriately set PC IP address, so the two devices can operate in one network subnet (e.g. for IP 192.168.1.1, appropriate address for the camera ranges from 192.168.1.2 to 192.168.1.254, for example 192.168.1.60). It is not allowed to set the same addresses for camera and PC computer

You can either set a network configuration (IP address, gateway, net mask, etc.) of NOVUS IP camera yourself or select DHCP mode (DHCP server is required in this method in target network) by using web browser or by NMS software. When you use DHCP server check IP address lease and its linking with camera MAC address to avoid changing or losing IP address during device operation or network/DHCP server breakdown. You have to remember to use a new camera IP address after changing network parameters.

After network setting configuration has been done, the camera can be connected to a target network.

START-UP AND INITIAL CAMERA CONFIGURATION

2.6. Security recommendations for network architecture and configuration

CAUTION!

Below are shown security recommendations for network architecture and configuration of CCTV systems that are connected to the Internet to reduce the risk of unauthorized interference with the system by a third party.

1. Absolutely change the default passwords and user names (if the device gives this possibility) of all applied network devices (recorders, cameras, routers, network switches, etc.) to the severely complexity password. Use lowercase and uppercase letters, numbers, and special characters if there is such possibility.
2. Depending on the available functionality in the order to restrict access to the used network devices at the administrator account level, it is recommended to configure the users accounts accordingly.
3. Do not use DMZ function (Demilitarized zone) in your router. Using that function you open the access to recorder system from the Internet on all ports, which gives possibility for an unauthorized interference with the system.

Instead of DMZ use port forwarding redirect only the ports which are necessary for the performance of the connection (detailed information about ports of communication in different models of recorders, cameras, etc. can be found in the operating instructions).

4. Use routers with firewall function and make sure it is enabled and properly configured.
5. It is recommended to change the default network communication port numbers of used devices if there is such possibility.
6. If used network devices has a UPnP feature and it is not used, turn it off.
7. If used network devices has a P2P feature and it is not used, turn it off.
8. If used network devices support HTTPS protocol for connection, it is recommended to use it.
9. If used network devices support IP filtering for authorized connections function, it is recommended to use it.
10. If used recorder has two network interfaces it is recommended to use both of them to physically separate network for cameras and network for Internet connection. The only device in the system, accessible from Internet will be recorder - there will be no physically access directly to any camera.

NETWORK CONNECTION USING WEB BROWSER

3. NETWORK CONNECTION USING WEB BROWSER

3.1. Recommended PC specification for web browser connections

Requirements below apply to connection with an IP camera, assuming smooth image display in 2592 x 1520 resolution and 30 fps speed.

1. CPU **Intel i7 3 GHz** or faster
2. **RAM Memory min. 6 GB**
3. VGA card **Nvidia GeForce 1GB**
4. OS **Windows 7 / 8 / 8.1 / 10**
5. Network card **100/1000 Mb/s**

3.2. Connection with IP camera via web browser

CAUTION!

To maintain correct operation as snapshot or video recording you must run the browser as an administrator.

You have to enter camera IP address in the web browser address bar. If IP address is correct user login window will be displayed:

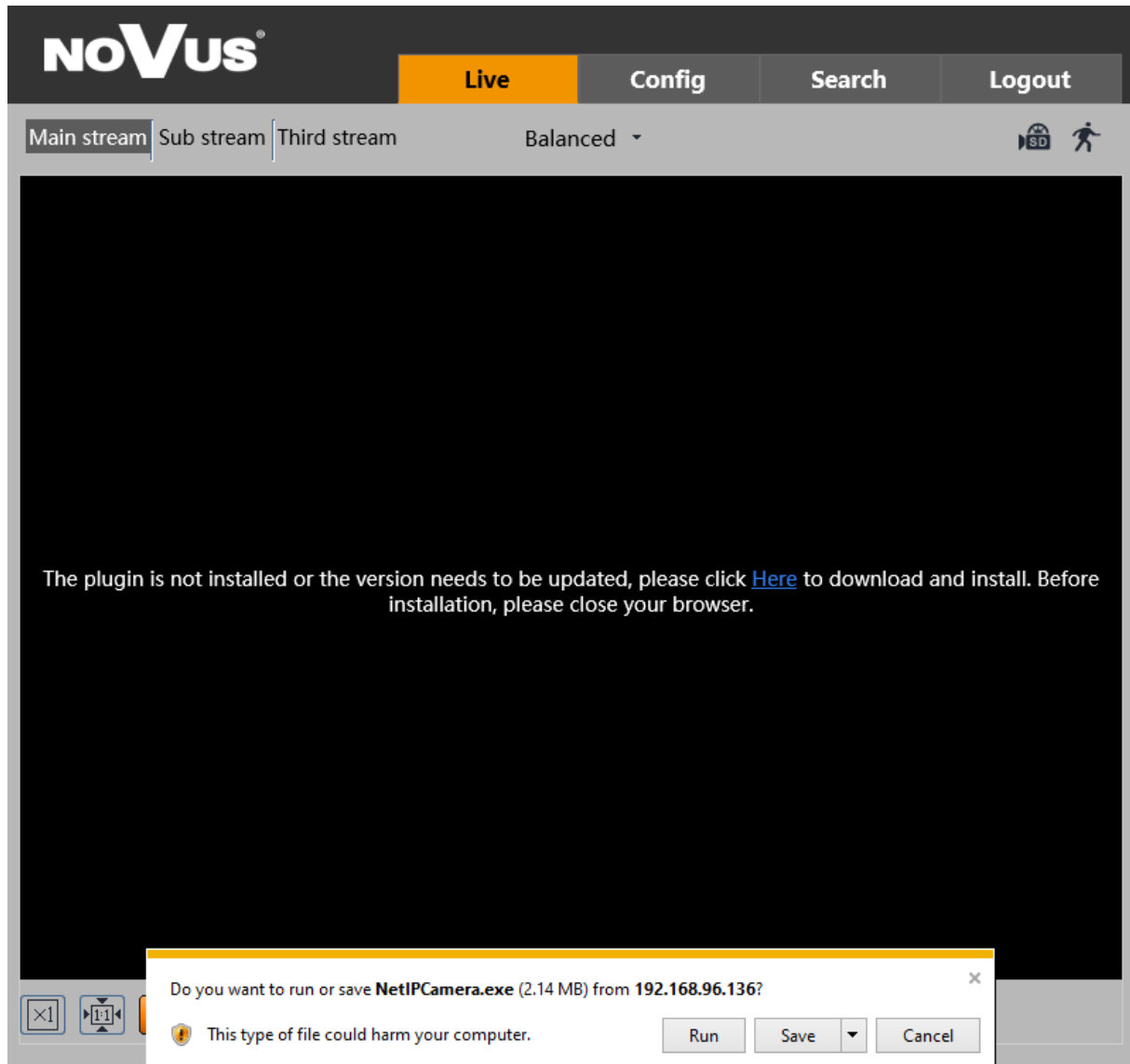
In the *Language* box you can change the display language. Available languages: Polish, English and others.

CAUTION!

Default user is **root** and default password is **pass**. The camera will ask you to change the default password during the first login (recommended). To do this, check the *Modify password* option and then enter and confirm the new password. In order to log into the camera without changing the password, press the *OK* button. The message will be displayed each time you log in, until you change your password, or select the *Do not show again* option.

NETWORK CONNECTION USING WEB BROWSER

If you're first time running the camera, you will see the screen as below.



To correctly camera working, you need a *NetIPCamera* plugin. You have to download and install it. To do it just click *Save* button, then *Run*, close IE browser, choose the language, click *Install* button and at the end click *Finish* button. After installation run IE browser.

CAUTION!

In Windows Vista/7/8/8.1/10 the ActiveX applet may be blocked by Windows Defender or User account control. In such case you should allow to run this applet, or simply disable these functions.

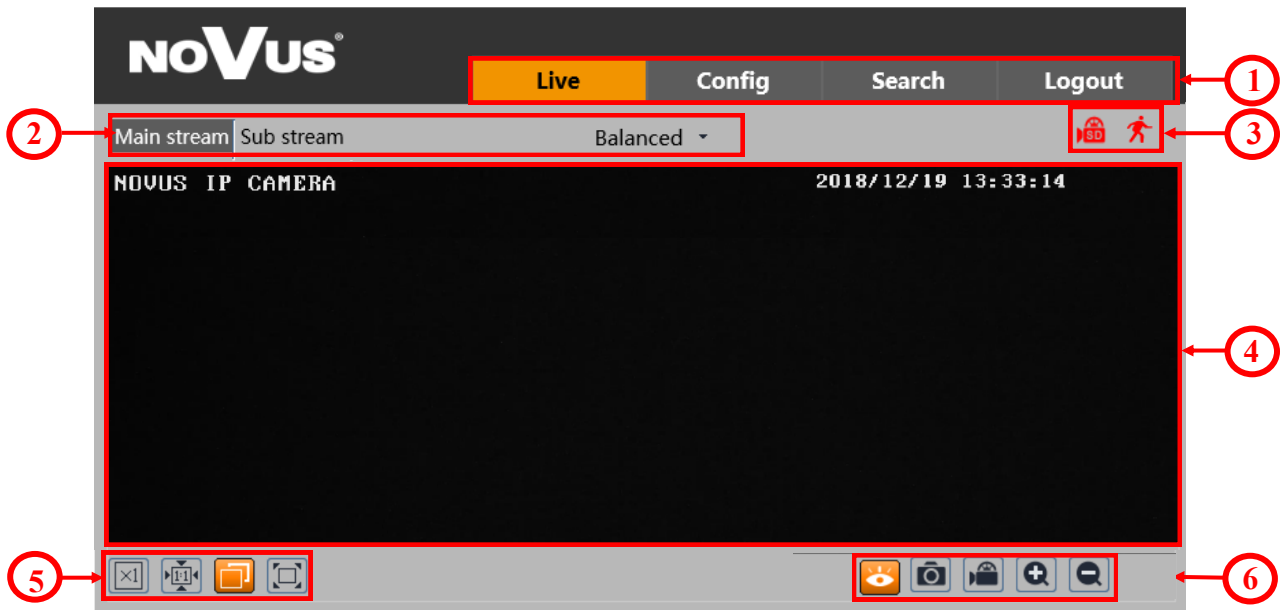
CAUTION!

If the installation fails, changing security settings for the IE browser is required. In order to do that, please select Enable for *Initialize and script ActiveX controls not marked as safe* and *Download unsigned ActiveX controls* option

WWW INTERFACE - WORKING WITH IP CAMERA

4. WWW INTERFACE - WORKING WITH IP CAMERA

4.1 Displaying live video



1. Camera menu

- *Live* - opens the camera live video
- *Config* - opens the camera configuration menu
- *Search* - opens the camera playback
- *Logout* - button used to log out the current user

2. The buttons for changing the displayed stream and fluency - allow to change the displayed stream to Main stream, Sub stream and also allow you to choose between *Real-time*, *Balanced* and *Fluent* fluency.

3. Alarm icons - icons showing the current status of some camera alarms.

4. Live video window

5. Image settings buttons - these buttons change the picture display mode in the live video preview



Original size



Adapt



Proper size



Full screen

6. Function buttons - these buttons allow you to enable / disable some of functions



Stop live view



Snapshot



Zoom In/Zoom Out (digital)



Start recording

ELECTRIC CONNECTORS AND ACCESORIES

5. ELECTRIC CONNECTORS AND ACCESORIES

5.1. MicroSD card installation

Camera supports SD cards up to a maximum size of 128GB. In order to install the card properly, please follow the instructions below:

- Turn off the camera.
- Unscrew the camera cover.
- Mount microSD card in the socket (1).
- Screw the camera cover.
- Turn on the camera.
- Check the SD card by checking its capacity in the “System” -> “SD Card” tab.



eng

FACTORY SETTINGS RESTORING

6. FACTORY SETTINGS RESTORING

Restoring factory settings of the IP camera restores all default settings. This process takes about two minutes. NOVUS IP cameras allow to restore defaults via:

- software (via web browser)
- software (via NMS IPTool)
- hardware (using reset button (*RST*))

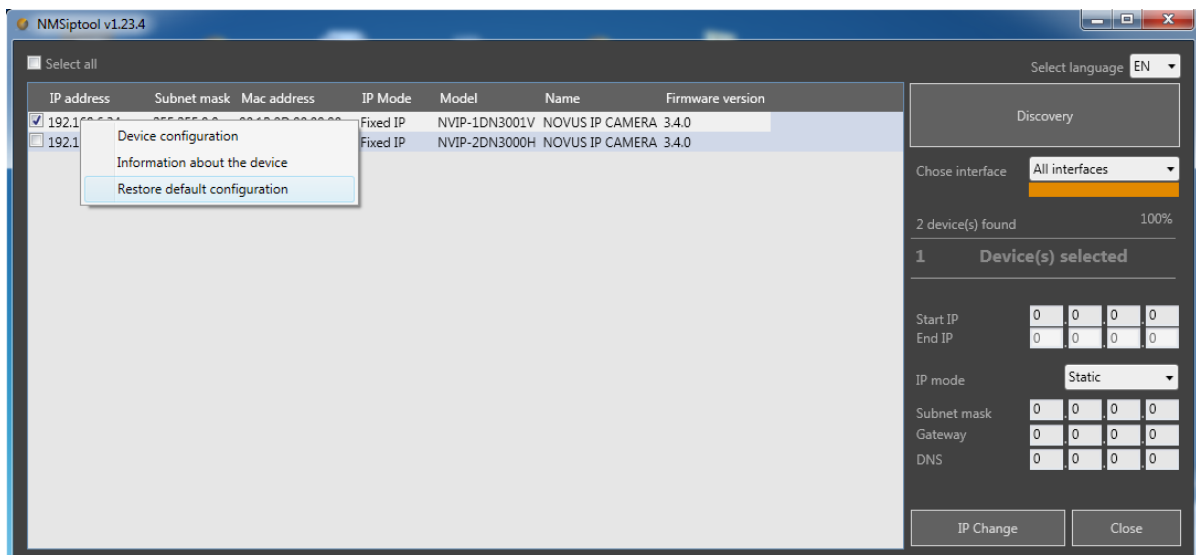
eng

6.1. Software factory settings restoring via web browser

Restoring factory settings via web browser allows you to optionally keep some settings, such as network settings. To restore default settings go to: “Maintenance -> Backup and Restore” tab.

6.2. Software factory settings restoring via NMS IPTool

NMS IPTool (version 1.23.4 or later) allows to restore factory settings. To restore settings find camera via NMS IPTool, click right mouse button and choose “ Restore default configuration”. In 30 seconds it is required to turn the camera power off and on.



FACTORY SETTINGS RESTORING

6.3. Hardware factory settings restoring

In order to restore factory defaults using reset button (*RST*), please follow the instructions below:

- Unscrew the camera cover.
- Press the reset button (1) and hold on for 10 seconds.
- Release button
- Screw the camera cover.
- Log on after 2 minutes using default IP address (<http://192.168.1.200>) and default user name (**root**) and password (**pass**).

eng



noVus[®]

AAT SYSTEMY BEZPIECZEŃSTWA Sp. z o.o.
431 Pulawska St., 02-801 Warsaw, Poland
tel.: +4822 546 07 00, fax: +4822 546 07 59
www.novusectv.com

2020-07-02 JZ MO

Instrukcja obsługi (skrótowa)



NVIP-4V-6511/F

noVus[®]

UWAGI I OSTRZEŻENIA

PRODUKT SPEŁNIA WYMAGANIA ZAWARTE W DYREKTYWACH:



DYREKTYWA PARLAMENTU EUROPEJSKIEGO I RADY 2014/30/UE z dnia 26 lutego 2014 r. w sprawie harmonizacji ustawodawstw państw członkowskich odnoszących się do kompatybilności elektromagnetycznej (Dz.U. L 096 z 29.3.2014, s. 79—106, z późniejszymi zmianami) – zwana Dyrektywa EMC



DYREKTYWA PARLAMENTU EUROPEJSKIEGO I RADY 2012/19/UE z dnia 4 lipca 2012 r. w sprawie zużytego sprzętu elektrycznego i elektronicznego (WEEE) Dz.U. L 96 z 29.3.2014, str. 79—106, z późniejszymi zmianami) – zwana Dyrektywa

Niniejszy produkt został oznakowany zgodnie z Dyrektywą WEEE (2012/19/EU) oraz późniejszymi zmianami, dotyczącą zużytego sprzętu elektrycznego i elektronicznego. Zapewniając prawidłowe złomowanie przyczyniają się Państwo do ograniczenia ryzyka wystąpienia negatywnego wpływu produktu na środowisko i zdrowie ludzi, które mogłoby zaistnieć w przypadku niewłaściwej utylizacji urządzenia.

Symbol umieszczony na produkcie lub dołączonych do niego dokumentach oznacza, że nasz produkt nie jest klasyfikowany jako odpad z gospodarstwa domowego. Urządzenie należy oddać do odpowiedniego punktu utylizacji odpadów w celu recyklingu. Aby uzyskać dodatkowe informacje dotyczące recyklingu niniejszego produktu należy skontaktować się z przedstawicielem władz lokalnych, dostawcą usług utylizacji odpadów lub sklepem, gdzie nabyto produkt.



DYREKTYWA PARLAMENTU EUROPEJSKIEGO I RADY 2011/65/UE z dnia 8 czerwca 2011 r. w sprawie ograniczenia stosowania niektórych niebezpiecznych substancji w sprzęcie elektrycznym i elektronicznym (Dz.U. L 174 z 1.7.2011, str. 88—110, z późniejszymi zmianami) - zwana Dyrektywa RoHS

W trosce o ochronę zdrowia ludzi oraz przyjazne środowisko zapewniamy, że nasze produkty podlegające przepisom dyrektywy RoHS, dotyczącej użycia substancji niebezpiecznych w sprzęcie elektrycznym i elektronicznym, zostały zaprojektowane i wyprodukowane zgodnie z wymaganiami tej dyrektywy. Jednocześnie zapewniamy, że nasze produkty zostały przetestowane i nie zawierają substancji niebezpiecznych w ilościach mogących niekorzystnie wpływać na zdrowie człowieka lub środowisko naturalne.

Informacja

Urządzenie, jako element profesjonalnego systemu telewizji dozorowej służącego do nadzoru i kontroli, nie jest przeznaczone do samodzielnego montażu w gospodarstwach domowych przez osoby nie posiadające specjalistycznej wiedzy.

Wyłączenie odpowiedzialności w przypadku uszkodzenia danych zawartych na dysku lub innych urządzeniach:

Producent nie ponosi odpowiedzialności w razie uszkodzenia lub utraty w trakcie eksploatacji Produktu danych zawartych na dyskach lub innych urządzeniach.

Obowiązek konsultowania się z Producentem przed wykonaniem czynności nieprzewidzianej instrukcją obsługi albo innymi dokumentami:

Przed wykonaniem czynności, która nie jest przewidziana dla danego Produktu w instrukcji obsługi, innych dokumentach dołączonych do Produktu lub nie wynika ze zwykłego przeznaczenia Produktu, należy, pod rygorem wyłączenia odpowiedzialności Producenta za następstwa takiej czynności, skontaktować się z Producentem.



WARUNKI BEZPIECZEŃSTWA

UWAGA!

ZNAJOMOŚĆ NINIEJSZEJ INSTRUKCJI JEST NIEZBĘDNYM WARUNKIEM PRAWIDŁOWEJ EKSPLOATACJI URZĄDZENIA. PROSIMY O ZAPOZNANIE SIĘ Z NIM PRZED PRZYSTĄPIENIEM DO INSTALACJI I OBSŁUGI REJESTRATORA.

UWAGA!

NIE WOLNO DOKONYWAĆ ŻADNYCH SAMODZIELNYCH NAPRAW. WSZYSTKIE NAPRAWY MOGĄ BYĆ REALIZOWANE JEDYNIEM PRZEZ WYKWALIFIKOWANYCH PRACOWNIKÓW SERWISU.

1. Przed zainstalowaniem i rozpoczęciem eksploatacji należy dokładnie zapoznać się z niniejszą instrukcją obsługi i zawartymi w niej wymogami bezpieczeństwa;
2. Uprasza się o zachowanie instrukcji na czas eksploatacji kamery na wypadek konieczności odniesienia się do zawartych w niej treści;
3. Należy skrupulatnie przestrzegać wymogów bezpieczeństwa opisanych w instrukcji, gdyż mają one bezpośredni wpływ na bezpieczeństwo użytkowników i trwałość oraz niezawodność urządzenia;
4. Wszystkie czynności wykonywane przez instalatorów i użytkowników muszą być realizowane zgodnie z opisem zawartym w instrukcji;
5. W czasie czynności konserwatorskich urządzenie musi być odłączone od zasilania;
6. Nie wolno stosować żadnych dodatkowych urządzeń lub podzespołów nie przewidzianych i nie zalecanych przez producenta;
7. Nie wolno używać kamery w środowisku o dużej wilgotności (np. w pobliżu basenów, wani, w wilgotnych piwnicach);
8. Nie należy instalować tego urządzenia w miejscu, gdzie nie można zapewnić właściwej wentylacji (np. zamknięte szafki, itp.), co powoduje zatrzymanie się ciepła i w konsekwencji może doprowadzić do uszkodzenia;
9. Nie wolno umieszczać kamery na niestabilnych powierzchniach. Kamera musi być instalowana przez wykwalifikowany personel o odpowiednich uprawnieniach według zaleceń podanych w niniejszej instrukcji;
10. Urządzenie może być zasilane jedynie ze źródeł o parametrach zgodnych ze wskazanymi przez producenta w danych technicznych serwera wideo. Dlatego też, zabrania się zasilania kamery ze źródeł o nieznanym, niestabilnym lub niezgodnym z wymaganiami określonymi przez producenta parametrach;

Ponieważ produkt jest stale ulepszany i optymalizowany niektóre parametry i funkcje opisane w załączonej instrukcji mogły ulec zmianie.

Prosimy o zapoznanie się z najnowszą instrukcją obsługi znajdującą się na stronie www.novuscctv.com Instrukcja obsługi znajdującą się na stronie www.novuscctv.com jest zawsze najbardziej aktualną wersją.

SPIS TREŚCI

SPIS TREŚCI	4
1. INFORMACJE WSTĘPNE	5
1.1. Charakterystyka ogólna	5
1.2. Dane techniczne	6
1.3. Wymiary kamery	7
1.4. Zawartość opakowania	7
2. URUCHAMIANIE I WSTĘPNA KONFIGURACJA KAMERY IP	8
2.1. Opis złączy elektrycznych oraz elementów regulacyjnych	8
2.2. Podłączenie kabla sieciowego	9
2.3. Podłączenie zasilania	9
2.3. Montaż kamery	10
2.4. Uruchomienie kamery IP	11
2.5. Konfiguracja parametrów przy użyciu przeglądarki internetowej	12
2.6. Zalecenia dotyczące bezpieczeństwa sieci	13
3. POŁĄCZENIA SIECIOWE ZA POMOCĄ PRZEGLĄDARKI WWW	14
3.1. Zalecana konfiguracja komputera PC do połączeń przez przeglądarkę WWW	14
3.2. Połączenie sieciowe z kamerą IP za pomocą przeglądarki WWW	14
4. INTERFEJS WWW - PRACA Z KAMERA	16
4.1. Wyświetlanie obrazu na żywo	16
5. POŁĄCZENIA ELEKTRYCZNE I ZŁĄCZA AKCESORIÓW	17
5.1. Instalacja karty Micro SD	17
6. PRZYWRACANIE USTAWIEŃ FABRYCZNYCH KAMERY	18
6.1. Programowe przywracanie ustawień fabrycznych kamery	18
6.2. Przywracanie ustawień fabrycznych z poziomu programu NMS IPTool	18
6.3. Sprzętowe przywracanie ustawień fabrycznych kamery	19

INFORMACJE WSTĘPNE

1. INFORMACJE WSTĘPNE

1.1. Charakterystyka ogólna

- Rozdzielczość przetwornika: 4.0 megapiksele
- Mechaniczny filtr podczerwieni (możliwość pracy w podczerwieni)
- Czułość od 0.005 lx
- Szeroki zakres dynamiki (WDR) - funkcja poprawiająca jakość obrazu dla różnych poziomów oświetlenia sceny
- Wbudowany webserwer: konfiguracja parametrów z poziomu przeglądarki internetowej
- Kompresja wideo: H.264, H.264+, H.264 Smart, H.265, H.265+, H.265 Smart, MJPEG
- Rozdzielczość przetwarzania wideo do 2592 x 1520
- Elektroniczna migawka od 1/3 s do 1/100000 s.
- Cyfrowa redukcja szumu (DNR)
- Redukcja efektu oślepienia kamery
- Kompensacja tylnego światła
- Redukcja migotania obrazu (Antiflicker)
- Możliwość definiowania kompresji, rozdzielczości, prędkości i jakości dla każdego strumienia
- Obsługa do 3 strumieni
- Wsparcie protokołu ONVIF
- Obsługa protokołu RTSP do transmisji wideo
- Obszary obserwacji ROI
- Strefy prywatności
- Wspieranie obsługi karty Micro SD, pojemność do 128 GB
- Wejście audio oraz wbudowany mikrofon
- Sprzętowy przycisk Reset
- Analiza obrazu w oparciu o Deep Learning, z klasyfikacją obiektów typu człowiek, pojazd
- Możliwość szerokiego definiowania reakcji systemu na zdarzenia alarmowe: wysłanie e-mail z załącznikiem, zapis na kartę SD, zapis na FTP
- Oprogramowanie: NMS (NOVUS MANAGEMENT SYSTEM) - do rejestracji wideo, podglądu „na żywo”, odtwarzania oraz zdalnej konfiguracji urządzeń wideo IP
- Zasilanie 12 VDC / PoE

INFORMACJE WSTĘPNE

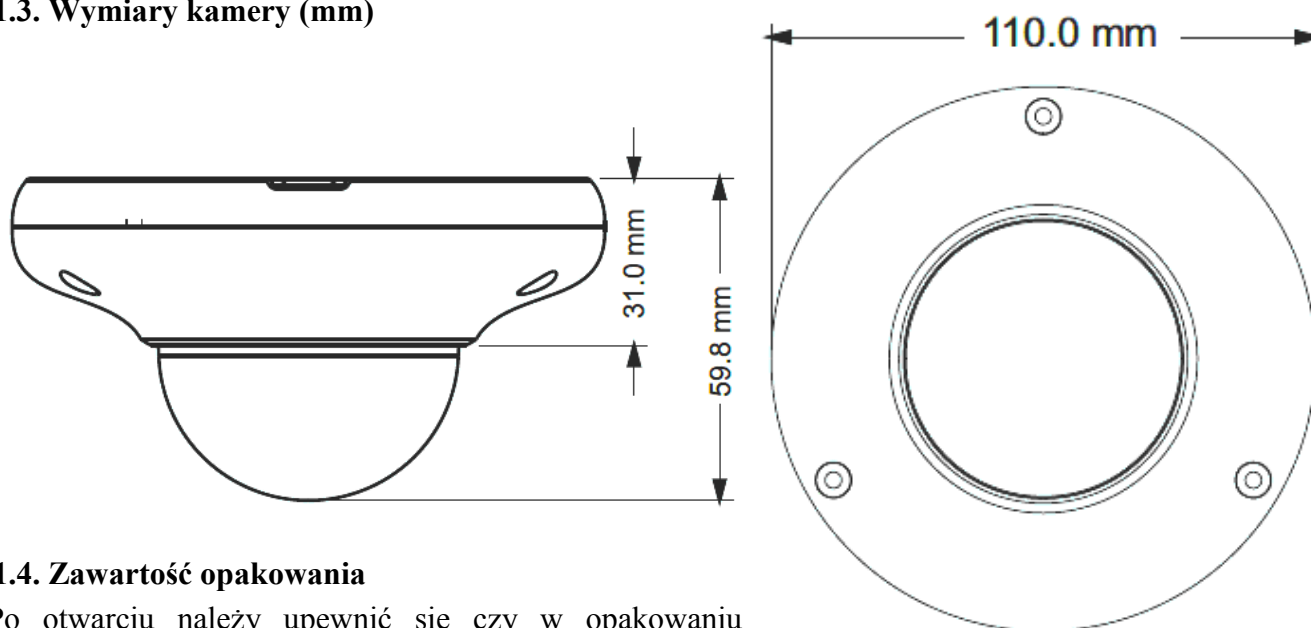
1.2. Dane techniczne

OBRAZ	
Przetwornik obrazu	4 MPX, matryca CMOS, 1/3", SmartSens
Liczba efektywnych pikseli	2592 (H) x 1520 (V)
Czułość	0.005 lx/F1.6 - tryb kolorowy, 0 lx (IR wł.) - tryb czarno-biały
Elektroniczna migawka	automatyczna/manualna: 1/3 s ~ 1/100000 s
Wydłużona migawka (DSS)	do 1/3 s
Szeroki zakres dynamiki (WDR)	tak (podwójne skanowanie przetwornika), 120dB
Cyfrowa redukcja szumu (DNR)	2D, 3D
Funkcja Defog (F-DNR)	tak
Redukcja efektu oślepienia kamery (HLC)	tak
Kompensacja tylnego światła (BLC)	tak
Redukcja migotania obrazu (Antiflicker)	tak
OBIEKTYW	
Typ obiektywu	standardowy, f=2.8 mm/F1.6
DZIEŃ/NOC	
Rodzaj przełączania	mechaniczny filtr podczerwieni
Tryb przełączania	automatyczny, manualny, czasowy
Regulacja poziomu przełączania	tak
Opóźnienie przełączania	2 ~ 120 s
Harmonogram przełączania	tak
Czujnik światła widzialnego	tak
SIEĆ	
Rozdzielczość strumienia wideo	2592 x 1520, 2560 x 1440 (QHD), 2304 x 1296, 1920 x 1080 (Full HD), 1280 x 720 (HD), 640 x 480 (VGA), 480 x 240, 320 x 240 (QVGA)
Prędkość przetwarzania	30 kl/s dla 2592 x 1520, 60 kl/s dla 1920 x 1080 (Full HD) i niższych rozdzielczości
Tryb wielostrumieniowy	3 strumienie
Kompresja wideo/audio	H.264, H.264+, H.264 Smart, H.265, H.265+, H.265 Smart, MJPEG/ G.711
Liczba jednoczesnych połączeń	maks. 10
Przepustowość	łącznie 60 Mb/s
Obsługiwane protokoły sieciowe	HTTP, TCP/IP, IPv4, IPv4/v6, UDP, HTTPS, Multicast, FTP, DHCP, DDNS, NTP, RTSP, UPnP, SNMP, QoS/DSCP, IEEE 802.1X, PPPoE, SMTP, ICMP, Unicast
Wsparcie protokołu ONVIF	Profile S/G
Konfiguracja kamery	z poziomu przeglądarki Internet Explorer języki: polski, angielski, rosyjski, i inne
Kompatybilne oprogramowanie	NMS, NVR-6000 Viewer
Aplikacje mobilne	SuperLive Plus (iPhone, Android)
POZOSTAŁE FUNKCJE	
Strefy prywatności	4 typu kolor lub 1 typu mozaika
Detekcja ruchu	tak
Obszar obserwacji (ROI)	8
Analiza obrazu	sabotaż, pojawienie się obiektu, zniknięcie obiektu, przekroczenie linii, wkroczenie do strefy, wyjście ze strefy, zliczanie obiektów, detekcja twarzy, detekcja osób, zliczanie przekroczeń linii, zmiana sceny, utrata ostrości, zmiana kolorystyki, rozróżnianie obiektów, zliczanie osób,
Obróbka obrazu	obrót obrazu o 180°, wyostżanie, odbicie lustrzane, tryb korytarzowy, przerzucenie obrazu w pionie, przerzucenie obrazu w poziomie, korekcja efektu dystorsji obiektywu
Prealarm/postalarm	do 6 s/do 120 s
Reakcja na zdarzenia alarmowe	e-mail, e-mail z załącznikiem, zapis na FTP, zapis na kartę SD
Przywracanie ustawień fabrycznych	z poziomu przeglądarki internetowej, za pomocą przycisku reset, za

INFORMACJE WSTĘPNE

OŚWIETLACZ IR	
Liczba LED	2
Zasięg	20 m
Smart IR	tak (wsparcie programowe)
INTERFEJSY	
Wejścia/wyjścia audio	1 x Jack (3.5 mm)/- wbudowany mikrofon
Interfejs sieciowy	1 x Ethernet - złącze RJ-45, 10/100 Mbit/s
Gniazdo kart pamięci	microSD - pojemność do 128GB
PARAMETRY INSTALACYJNE	
Wymiary (mm)	110 (Φ) x 60 (wys.)
Masa	0.4 kg
Klasa szczelności	IP 66 (szczegóły w dalszej części instrukcji obsługi)
Obudowa	wandaloodporna stopień ochrony IK10 aluminiowa, w kolorze białym
Zasilanie	PoE, 12 VDC
Zabezpieczenia przeciwprzepięciowe	TVS 4000 V
Pobór mocy	4 W, 6 W (IR wł.)
Temperatura pracy	-30°C ~ 60°C
Wilgotność	maksymalnie 95%, względna (bez kondensacji)

1.3. Wymiary kamery (mm)



1.4. Zawartość opakowania

Po otwarciu należy upewnić się czy w opakowaniu znajdują się następujące elementy:

- Kamera IP
- Torebka z akcesoriami montażowymi
- Skrócona instrukcja obsługi.

Jeżeli którykolwiek z elementów został uszkodzony w transporcie, należy spakować zawartość z powrotem do oryginalnego opakowania i skontaktować się z dostawcą.

UWAGA:

Zabronione jest stosowanie jako źródło zasilania kamery urządzeń (zasilacze, adaptory itp.) PoE niezgodnych ze standardem IEEE 802.3af, potocznie nazywanych „pasywne zasilacze PoE”. Uszkodzenia wynikłe ze stosowania nieodpowiednich źródeł zasilania nie podlegają gwarancji.

URUCHAMIANIE I WSTĘPNA KONFIGURACJA KAMERY IP

2. URUCHAMIANIE I WSTĘPNA KONFIGURACJA KAMERY IP

UWAGA:

Jeżeli urządzenie przyniesione zostało z pomieszczenia o niższej temperaturze należy odczekać aż osiągnie temperaturę pomieszczenia, w którym ma pracować. Nie wolno włączać urządzenia bezpośrednio po przyniesieniu z chłodniejszego miejsca. Kondensacja zawartej w powietrzu pary wodnej może spowodować zwarcia i w konsekwencji uszkodzenie urządzenia.

Przed uruchomieniem urządzenia należy zapoznać się z opisem i rolą poszczególnych wejść, wyjść oraz elementów regulacyjnych, w które wyposażone są kamery.

2.1 Opis złączy elektrycznych oraz elementów regulacyjnych



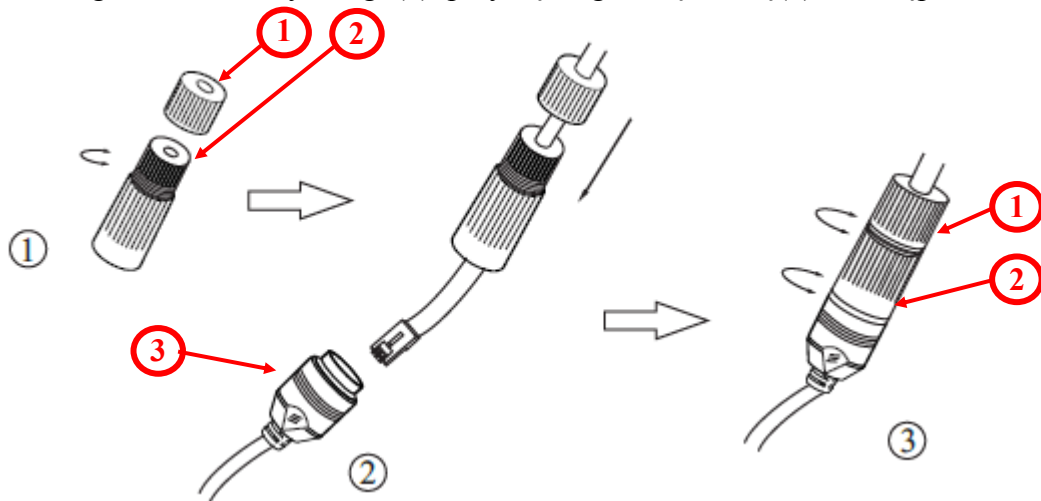
1. Złącze Ethernet 100 Mbit/s (gniazdo PoE RJ-45)
2. Wejście audio (Jack 3.5 mm)
3. Złącze zasilania kamery 12VDC
4. Gniazdo karty micro SD
5. Przycisk reset

URUCHAMIANIE I WSTĘPNA KONFIGURACJA KAMERY IP

2.2. Podłączenie kabla sieciowego

Aby zachować hermetyczność połączenia kabla sieciowego należy postępować zgodnie z poniższą instrukcją:

1. Odkręcić nakrętkę (1) od głównego elementu zabezpieczającego (2).
2. Poprowadzić kabel sieciowy (bez końcówki) przez oba elementy. Po przełożeniu kabla zacisnąć końcówkę RJ-45.
3. Podłączyć kabel do gniazda hermetycznego(3), przykręcić główną osłonę(2), a następnie nakrętkę(1)



Deklarowana klasa szczelności kamery dotyczy jej obudowy i nie uwzględnia możliwości wnikania wilgoci do wnętrza kamery poprzez przewody przyłączeniowe. Zabezpieczenie przewodów poprzez np. uszczelnienie ich odpowiednią masą jest obowiązkiem osoby instalującej kamerę. Producent nie ponosi odpowiedzialności za wszelkie szkody, uszkodzenia kamery powstałe w skutek niedopełnienia w/w obowiązku co jednocześnie oznacza, iż nie podlegają one naprawom gwarancyjnym.

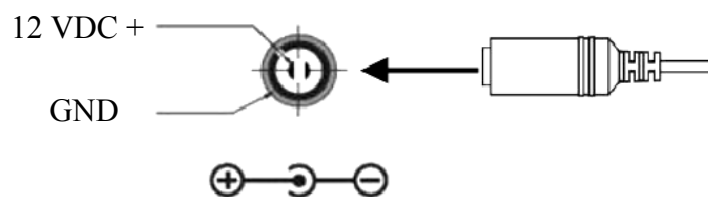
UWAGA:

Pozostałe złącza kamery nie są hermetyczne. Użytkownik powinien zapewnić ich szczelność we własnym zakresie.

2.3 Podłączenie zasilania

Kamera może być zasilana przez zewnętrzny zasilacz o parametrach zgodnych z zasilaniem kamery lub przez gniazdo sieciowe RJ45 przy wykorzystaniu technologii PoE (IEEE 802.3af). Do zasilania kamery poprzez PoE należy użyć przełącznika sieciowego lub zasilacza PoE zgodnego ze standardem IEEE 802.3af. W razie potrzeby użycia zewnętrznego zasilania, należy przestrzegać zasad polaryzacji przedstawionych poniżej:

Schemat podłączenia zasilania 12 VDC



UWAGA:

W celu ochrony kamery przed uszkodzeniem zalecane jest zastosowanie zabezpieczeń przepięciowych. Awarie powstałe w wyniku przepięć nie podlegają naprawie gwarancyjnej.

URUCHAMIANIE I WSTĘPNA KONFIGURACJA KAMERY IP

2.3. Montaż kamery

W celu zamontowania kamery należy postępować zgodnie z podaną procedurą:

- Odkręć śruby górnej osłony kamery
- Zdejmij osłonę kamery.
- Wzorując się na położeniu otworów w podstawie kamery oraz korzystając z szablonu montażowego, zaznaczyć punkty pod przyszłe otwory mocujące i przepust kablowy.
- Wywiercić otwory montażowe i otwór pod kabel sygnałowy w miejscu podłączenia.
- W razie potrzeby włożyć kartę pamięci.
- Podłączyć przewody kamery
- Zamocować podstawę kamery przy użyciu załączonych kołków i wkrętów.
- Dokonać regulacji położenia kamery.
- Założyć osłonę kamery i przykręcić śruby



UWAGA!

Należy zwrócić szczególną uwagę, aby powierzchnia do której mocowany jest uchwyt i kamera miała odpowiednią nośność.

UWAGA:

W celu zapewnienia deklarowanej szczelności należy zabezpieczyć otwory montażowe i przepust kablowy. W przypadku instalacji na nierównych/chropowatych powierzchniach, okolice otworów montażowych kamery należy dodatkowo zabezpieczyć masą uszczelniającą.

URUCHAMIANIE I WSTĘPNA KONFIGURACJA KAMERY IP

2.4. Uruchomienie kamery IP

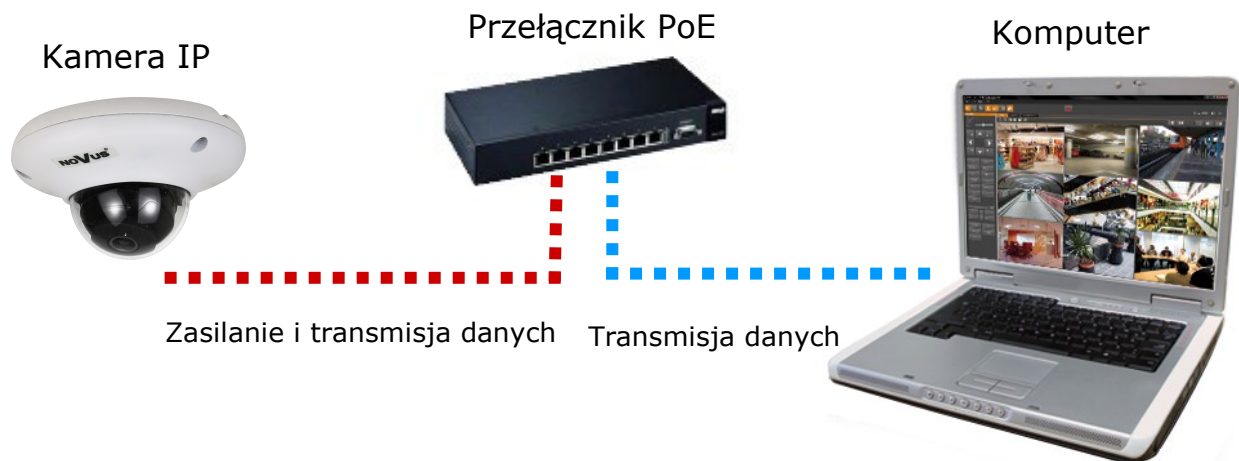
W celu uruchomienia kamery należy podłączyć kabel ethernetowy do gniazda sieciowego RJ45 kamery IP, a drugi koniec do przełącznika sieciowego PoE (IEEE 802.3af).

Możliwe jest również zasilanie kamery z zewnętrznego stabilizowanego zasilacza o parametrach spełniających wymagania kamery.

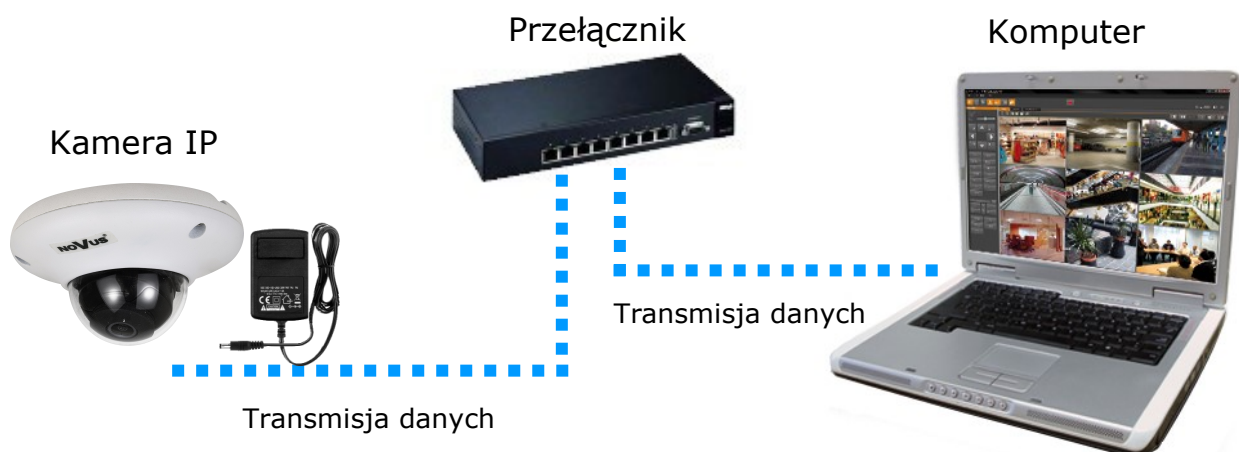
Po uruchomieniu zasilania zaświeci się czerwona dioda w wewnętrznej obudowie kamery. Rozpocznie się proces uruchomienia kamery który może potrwać około 2 minut. Poprawne połączenie z przełącznikiem sieciowym sygnalizowane jest przez zaświecenie się diody na zielono. Transfer danych sygnalizowany jest przez migotanie diody.

Zalecaną metodą uruchomienia i konfiguracji kamery IP jest podłączenie jej do komputera PC lub laptopa w wydzielonym przełączniku PoE, do którego nie ma podłączonych innych urządzeń. W przypadku zasilania z zewnętrznego zasilacza wystarczy zastosować dowolny przełącznik sieciowy, lub kabel podłączony bezpośrednio do komputera. W celu uzyskania danych potrzebnych do konfiguracji sieci (adres IP, brama, maska sieci itd.) należy skontaktować się z administratorem sieci, w której urządzenie ma pracować.

- Połączenie wykorzystujące przełącznik sieciowy z PoE

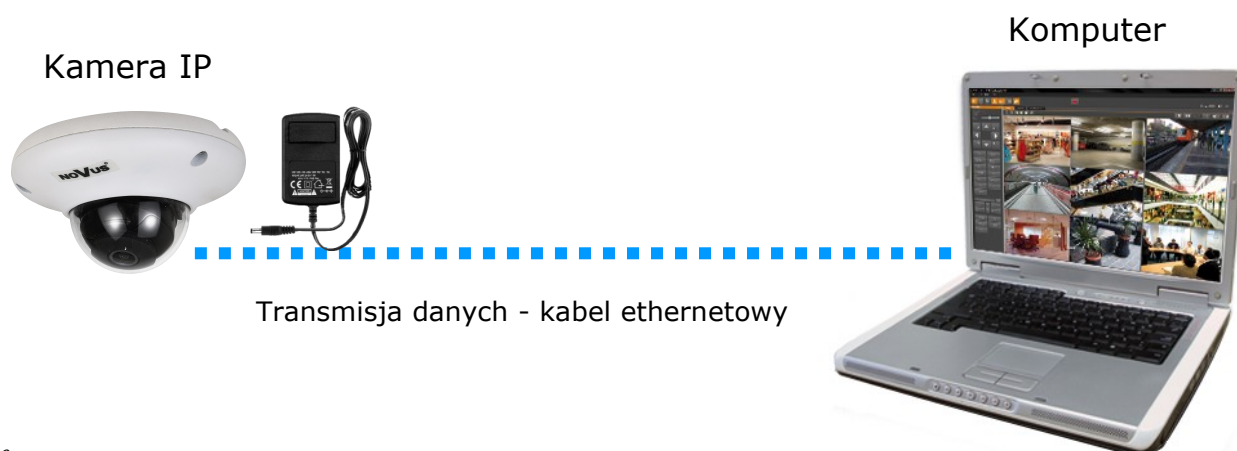


- Połączenie wykorzystujące zewnętrzne zasilanie kamery i przełącznik sieciowy



URUCHAMIANIE I WSTĘPNA KONFIGURACJA KAMERY IP

- Połączenie wykorzystujące zewnętrzne zasilanie kamery i kabel ethernetowy skrosowany



Informacja:

Zasilacz zewnętrzny nie wchodzi w skład zestawu., należy się w niego zaopatrzyć we własnym zakresie.

2.5. Konfiguracja parametrów przy użyciu przeglądarki internetowej

Konfigurację sieciową kamery można przeprowadzić przy pomocy przeglądarki internetowej.

Domyślne ustawienia sieciowe dla kamery to:

1. Adres IP = **192.168.1.200**
2. Maska sieci - **255.255.255.0**
3. Brama - **192.168.1.1**
4. Nazwa użytkownika - **root**
5. Hasło - **pass**

Znając adres IP kamery należy ustawić adres IP komputera w taki sposób aby oba urządzenia pracowały w jednej podsieci (dla adresu IP kamery 192.168.1.200 jako adres IP komputera PC możemy ustawić adres z zakresu 192.168.1.0 - 192.168.1.254, np.: 192.168.1.60). Niedopuszczalne jest ustawianie adresu komputera takiego samego jak adres kamery.

Wykorzystując połączenie przez przeglądarkę internetową Internet Explorer lub oprogramowanie NMS należy ustawić docelową konfigurację sieciową (adres IP, maskę sieci, bramę, serwery DNS) lub włączyć tryb pracy DHCP pozwalający na pobranie adresu IP z serwera DHCP (wymagany jest wówczas działający serwer DHCP). W przypadku korzystania z serwera DHCP należy upewnić się co do długości okresu dzierżawy adresu IP, jego powiązania z adresem MAC kamery IP w celu uniknięcia zmiany lub utraty adresu IP w czasie pracy urządzenia lub chwilowej awarii sieci / serwera DHCP. Należy pamiętać że po zmianie adresu IP kamera zostanie zresetowana i trzeba wpisać nowy adres w przeglądarce internetowej.

Po konfiguracji ustawień sieciowych pozwalających na bezkonfliktową pracę urządzenia, kamerę IP możemy podłączyć do sieci docelowej.

URUCHAMIANIE I WSTĘPNA KONFIGURACJA KAMERY IP

2.6. Zalecenia dotyczące bezpieczeństwa sieci

UWAGA!

Poniżej zostały przedstawione podstawowe zalecenia dotyczące budowy oraz konfiguracji systemów telewizji dozorowej podłączonych do sieci Internet, pozwalające ograniczyć ryzyko nieautoryzowanej ingerencji w system przez osoby trzecie.

1. Bezwzględnie należy zmienić domyślne hasła dostępu oraz nazwy użytkowników (jeśli dane urządzenia dają taką możliwość) wszystkich zastosowanych urządzeń sieciowych (tzn. rejestratora, kamer, routerów, przełączników sieciowych itp.) na hasła o znacznym stopniu skomplikowania. W zależności od możliwości konfiguracji danego urządzenia zaleca się, aby hasło zawierało: małe litery, wielkie litery, cyfry oraz znaki specjalne.

2. W zależności od dostępnej funkcjonalności w celu ograniczenia dostępu do zastosowanych urządzeń sieciowych na poziomie konta administratora zaleca się odpowiednią konfigurację kont użytkowników.

3. Bezwzględnie zabronione jest wykorzystywanie funkcji DMZ (Demilitarized zone - strefa zdemilitaryzowana). Zastosowanie tej funkcji otwiera dostęp do systemu od strony sieci Internet na wszystkich możliwych portach, co w znacznym stopniu ułatwia ewentualną nieautoryzowaną ingerencję w system.

Zamiast wykorzystywania funkcji DMZ należy zastosować przekierowanie portów. Przekierowane powinny zostać jedynie porty niezbędne do realizacji połączenia (szczegółowych informacji na temat portów komunikacji w poszczególnych modelach rejestratorów, kamer itp. należy szukać w instrukcjach obsługi urządzeń).

4. Należy stosować routery wyposażone w funkcję zapory sieciowej (Firewall) oraz upewnić się że funkcja jest włączona oraz odpowiednio skonfigurowana.

5. Jeśli urządzenia sieciowe posiadają taką funkcjonalność zalecana jest zmiana domyślnych numerów portów wykorzystywanych do komunikacji sieciowej.

6. Jeśli urządzenia sieciowe posiadają funkcję UPnP i nie jest ona wykorzystywana, należy ją bezwzględnie wyłączyć.

7. Jeśli urządzenia sieciowe posiadają funkcję P2P i nie jest ona wykorzystywana, należy ją wyłączyć.

8. Jeśli urządzenia sieciowe obsługują protokół HTTPS do realizacji połączeń zaleca się jego stosowanie.

9. Jeśli urządzenia sieciowe obsługują funkcję filtracji adresów IP uprawnionych do nawiązywania połączenia zaleca się jej wykorzystywanie.

10. Jeśli zastosowany rejestrator sieciowy wyposażony jest w dwa interfejsy sieciowe zaleca się odseparowanie sieci do której podłączone są kamery od sieci posiadającej połączenie internetowe. Dzięki temu urządzeniem dostępnym z poziomu sieci Internet będzie rejestrator natomiast połączenie z kamerami nie będzie możliwe.

POŁĄCZENIA SIECIOWE ZA POMOCĄ PRZEGLĄDARKI WWW

3 POŁĄCZENIA SIECIOWE ZA POMOCĄ PRZEGLĄDARKI WWW

3.1. Zalecana konfiguracja komputera PC do połączeń przez przeglądarkę WWW

Poniższe wymagania dotyczą połączenia z kamerą IP przy założeniu płynnego wyświetlania obrazu wideo w rozdzielczości 2592 x 1520 dla 30kl/s.

1. Procesor **Intel i7 3 GHz** lub wyższy
2. Pamięć **RAM min. 6 GB**
3. Karta grafiki **Nvidia GeForce 1GB**
4. System operacyjny **Windows 7 / 8 / 8.1 / 10**
5. Karta sieciowa **100/1000 Mb/s**

3.2. Połączenie sieciowe z kamerą IP za pomocą przeglądarki WWW

UWAGA:

Aby zachować poprawność działania funkcji zrzutu obrazu oraz nagrywania obrazu na komputer, przeglądarkę należy uruchomić z poziomu administratora.

W pasku adresu przeglądarki internetowej należy wpisać adres IP kamery. Jeśli podany adres jest prawidłowy i docelowe urządzenie jest w danej chwili osiągalne zostanie wyświetlone okno logowania do interfejsu sieciowego:

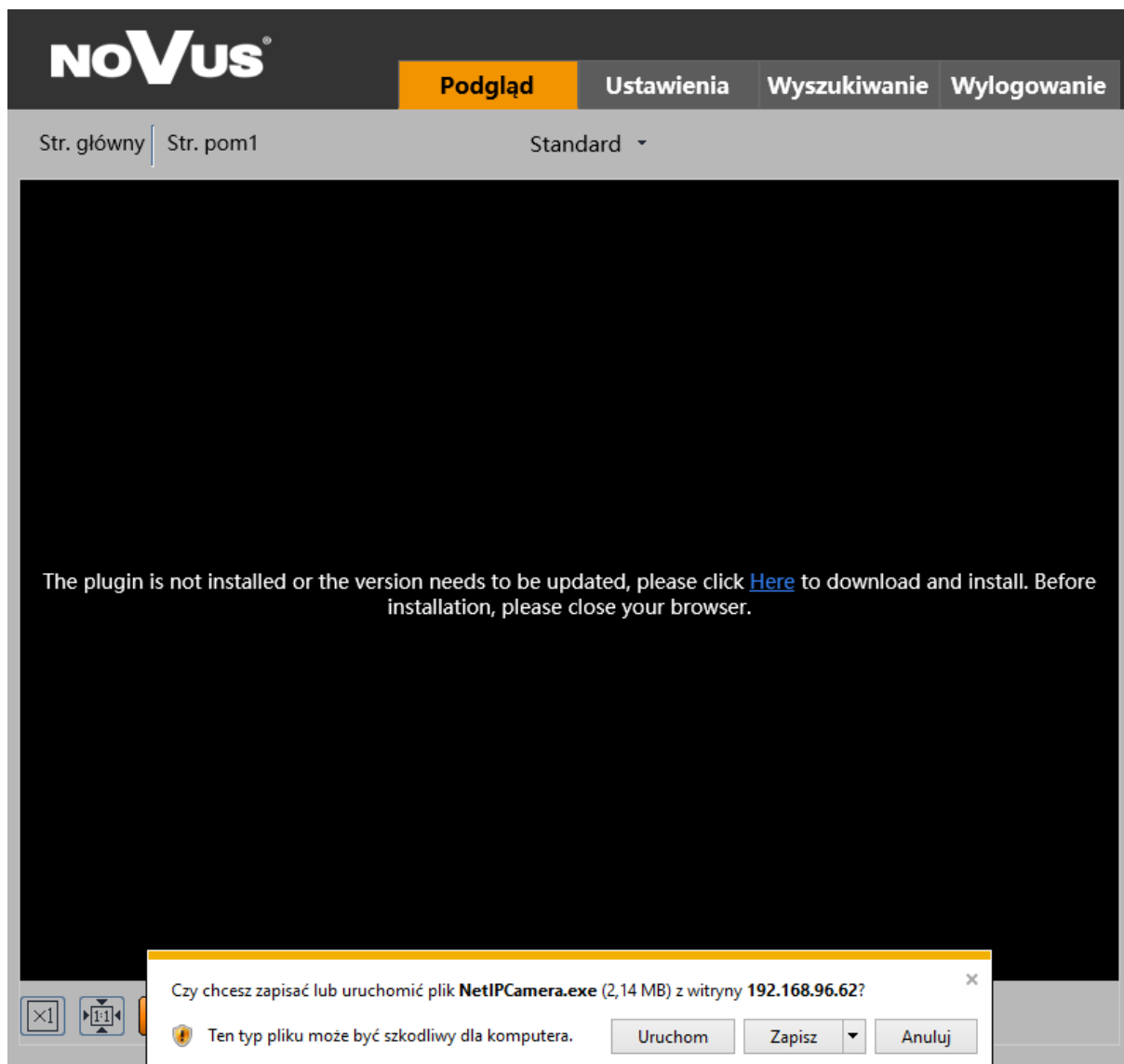
Z listy wyboru można wybrać język wyświetlany w menu (dostępne są języki: polski, angielski i inne). Domyślny język to język polski.

UWAGA!

Domyślny użytkownik to **root**, a hasło **pass**. Kamera podczas pierwszego logowania poprosi o zmianę domyślnego hasła (zalecane). W tym celu zaznaczyć opcję *Modyfikuj hasło* a następnie wpisać i potwierdzić nowe hasło. W celu zalogowania się do kamery bez zmiany hasła należy wcisnąć przycisk *OK*. Komunikat będzie wyświetlany przy każdym zalogowaniu, do momentu zmiany hasła, lub zaznaczenia opcji *Nie pokazuj ponownie*.

POŁĄCZENIA SIECIOWE ZA POMOCĄ PRZEGLĄDARKI WWW

Jeżeli kamera w danej przeglądarce uruchamiana jest pierwszy raz, po zalogowaniu do kamery ukaże nam się obraz jak poniżej:



Aby poprawnie obsługiwać kamery z poziomu przeglądarki, niezbędny jest dodatek *NetIPCamera*. Należy go pobrać i zainstalować korzystając z okienka dialogowego: należy kliknąć przycisk *Zapisz*, następnie *Uruchom*, zamknąć przeglądarkę IE, wybrać język, następnie kliknąć przycisk *Install* a na koniec instalacji należy kliknąć przycisk *Finish*. Po udanej instalacji należy uruchomić przeglądarkę IE i połączyć się z kamerą.

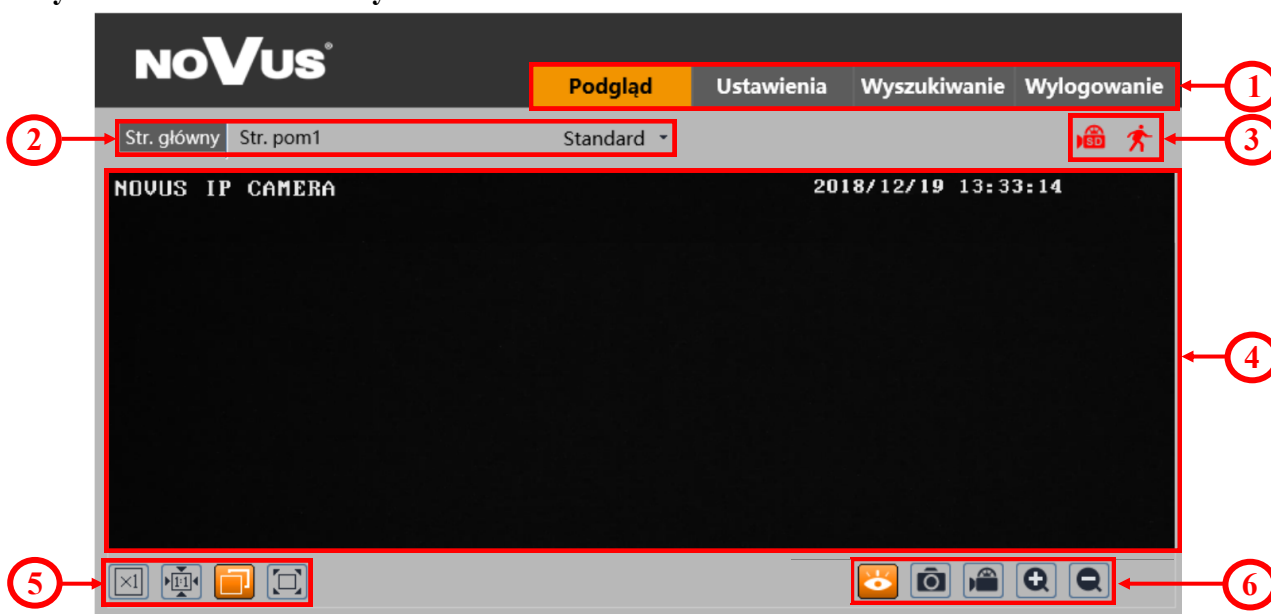
UWAGA: W przypadku pracy w systemie Windows 7/8/8.1/10 możliwe jest zablokowanie dodatku ActiveX przez Windows Defender i Kontrolę konta użytkownika. W takim przypadku należy zezwolić na uruchamianie dodatku lub po prostu wyłączyć działanie blokujących aplikacji.

UWAGA: Jeżeli podczas pobierania lub instalacji wystąpiły błędy, należy wybrać *Ustawienia Zabezpieczeń* w *Opcjach Internetowych* przeglądarki IE, oraz włączyć funkcję *Pobieranie niepodpisanych formantów ActiveX*.

INTERFEJS WWW - PRACA Z KAMERĄ

4. INTERFEJS WWW - PRACA Z KAMERĄ

4.1 Wyświetlanie obrazu na żywo



1. Zakładki menu kamery

- *Podgląd* - otwiera okno wyświetlania obrazu na żywo
- *Ustawienia* - otwiera menu ustawień kamery
- *Wyszukiwanie* - otwiera okno odtwarzania nagrań kamery
- *Wylogowanie* - wyloguje aktualnie zalogowanego użytkownika


2. Przyciski zmiany wyświetlanego strumienia oraz buforowania - pozwalają zmienić wyświetlany strumień na strumień główny, pomocniczy 1, a ponadto pozwalają wybrać opcję buforowania *Na żywo*, *Standard* oraz *Płynnie*.


3. Ikony powiadomień - ikony przedstawiające aktualne stany niektórych alarmów kamery

4. Okno podglądu wideo

5. Przyciski ustawienia obrazu - przyciski te zmieniają tryb wyświetlania obrazu w oknie podglądu


 Oryginalny rozmiar


 Rozmiar automatyczny


 Dostosuj do ekranu


 Pełny ekran

6. Przyciski funkcyjne - przyciski te pozwalają włączać/wyłączać niektóre funkcje

 Zatrzymaj podgląd na żywo

 Zrób zdjęcie

 Przybliż/Oddal (cyfrowo)

 Włącz nagrywanie

POŁĄCZENIA ELEKTRYCZNE I ZŁĄCZA AKCESORIÓW

5. POŁĄCZENIA ELEKTRYCZNE I ZŁĄCZA AKCESORIÓW

5.1. Instalacja karty Micro SD

Kamera obsługuje karty Micro SD o pojemności do 128 GB. W celu prawidłowej instalacji karty należy postępować zgodnie z instrukcją:

- Wyłączyć zasilanie kamery.
- Odkręcić osłonę kamery.
- Włożyć kartę pamięci (1).
- Przykręcić osłonę kamery.
- Włączyć kamerę.
- Sprawdzić poprawność zainstalowania karty przez zweryfikowanie jej rozmiaru w zakładce „System -> Karta SD”.



PRZYWRACANIE USTAWIEŃ FABRYCZNYCH KAMERY

6. PRZYWRACANIE USTAWIEŃ FABRYCZNYCH KAMERY

Przywracanie ustawień fabrycznych kamery IP powoduje przywrócenie wszystkich domyślnych ustawień oraz zajmuje około 2 minut. Kamery NVIP-4V-6511/F firmy NOVUS umożliwiają resetowanie ustawień:

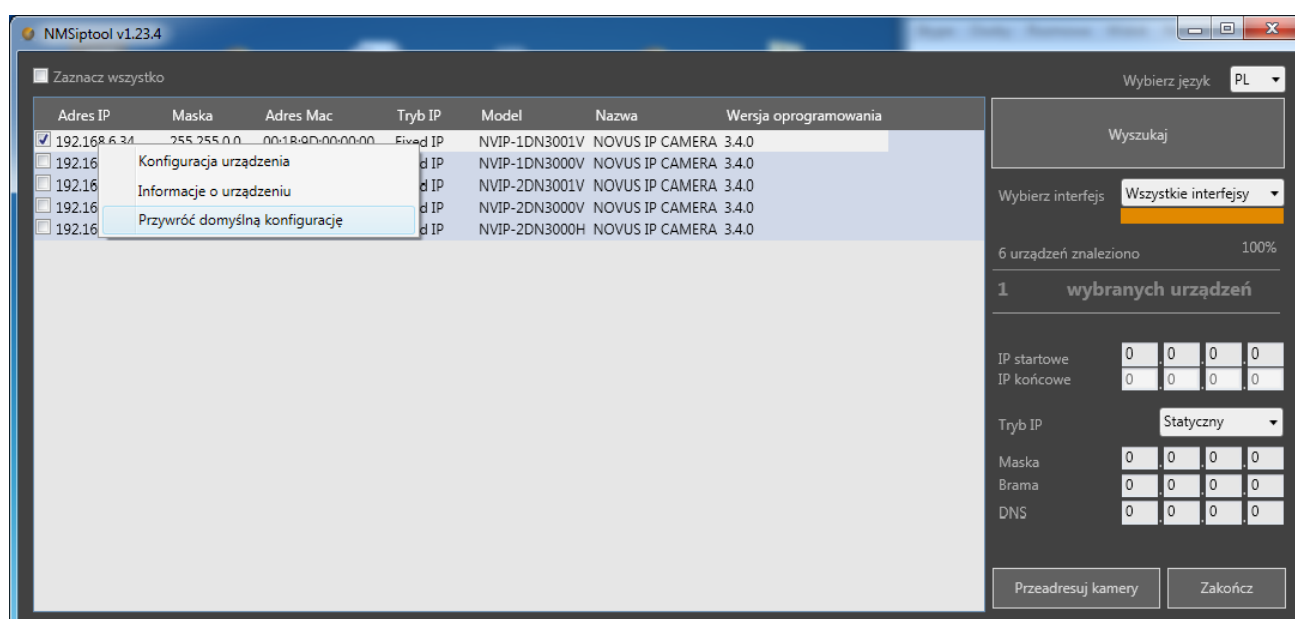
- programowo (z poziomu przeglądarki)
- programowo (z poziomu NMS IPTool)
- sprzętowo (przy użyciu przycisku reset (*RST*))

6.1. Programowe przywracanie ustawień fabrycznych kamery z poziomu przeglądarki

Przywracanie ustawień fabrycznych z poziomu przeglądarki internetowej pozwala opcjonalnie pominąć niektóre ustawienia, np. sieciowe. Opcja przywrócenia ustawień fabrycznych znajduje się w zakładce „Kopia zapasowa -> Fabryczne”.

6.2. Programowe przywracanie ustawień fabrycznych kamery z poziomu programu NMS IPTool

Za pomocą programu NMS IPTool (wersja 1.23.4 lub wyższa) użytkownik może przywrócić ustawienia fabryczne, poprzez wybranie kamery, kliknięcie prawym przyciskiem myszy i wybranie opcji „Przywróć domyślną konfigurację”. Następnie wymagane jest odłączenie kamery z zasilania i ponowne podłączenie (w ciągu 30 sekund od momentu wybrania opcji „Przywróć domyślną konfigurację”).



PRZYWRACANIE USTAWIENÍ FABRYCZNYCH KAMERY

6.3. Sprzętowe przywracanie ustawień fabrycznych kamery

W celu sprzętowego przywrócenia ustawień fabrycznych kamery IP należy postępować zgodnie z instrukcją:

- Odkręcić klapkę (1) umieszczoną na kamerze.
- Przytrzymać przycisk reset (2) przez 10 sekund.
- Zwolnić przycisk.
- Przykręcić klapkę (1).
- Zalogować się ponownie po ok. 2 minutach używając domyślnego adresu IP (<http://192.168.1.200>), nazwy użytkownika (root) i hasła (pass).



noVus[®]

AAT SYSTEMY BEZPIECZEŃSTWA Sp. z o.o.
Puławska 431, 02-801 Warszawa, Polska
tel.: 22 546 07 00, faks: 22 546 07 59
www.novusctv.com

2020-07-02 JZ MO

Benutzerhandbuch (Kurzfassung)




de

NVIP-4V-6511/F

noVus[®]

WICHTIGE SICHERHEITSMASSNAHMEN UND WARNHINWEISE

DAS PRODUKT ERFÜLLT DIE IN DEN RICHTLINIEN ENTHALTENEN ANFORDERUNGEN:

 **RICHTLINIE 2014/30/EU DES EUROPÄISCHEN PARLAMENTS UND DES RATES vom 26. Februar 2014** zur Harmonisierung der Rechtsvorschriften der Mitgliedstaaten über die elektromagnetische Verträglichkeit (OJ L 96, 29.3.2014, S. 79–106, mit Änderungen)



RICHTLINIE 2012/19/EU DES EUROPÄISCHEN PARLAMENTS UND DES RATES vom 4. Juli 2012 über die Entsorgung von Elektro- und Elektronik-Altgeräten (WEEE) (OJ L 197, 24.7.2012, S. 38–71, mit Änderungen).

Dieses Gerät trägt eine Kennzeichnung nach der Europäischen 1000VAC-Richtlinie über die Entsorgung von Elektro- und Elektronik-Altgeräten (2012/19/EU) mit nachfolgenden Änderungen. Durch sachgemäße Entsorgung dieses Produktes tragen Sie dazu bei, negative Auswirkungen auf die menschliche Gesundheit und Umwelt zu verhindern, zu denen es bei unsachgemäßer Abfallbehandlung dieses Produktes kommen könnte. Das Symbol auf dem Produkt bzw. auf dessen Begleitdokumente weist darauf hin, dass das Gerät nicht im normalen Hausmüll entsorgt werden darf. Vielmehr sollte es an einer geeigneten Wertstoffsammelstelle für Elektro- und Elektronikgeräte abgegeben werden, wo es dem Recycling zugeführt wird. Für weitere Informationen über das Recycling dieses Produktes kontaktieren Sie bitte Ihre lokalen Behörden, Ihren zuständige Wertstoffsammelstelle oder das Geschäft, in dem Sie das Produkt gekauft haben.



RICHTLINIE 2011/65/EU DES EUROPÄISCHEN PARLAMENTS UND DES RATES vom 8. Juni 2011 über die Beschränkung der Verwendung gefährlicher Stoffe in Elektro- und Elektronikgeräten (OJ L 174, 1.7.2011, S. 88–110, mit Änderungen)

Aus Sorge um den Schutz der menschlichen Gesundheit und der Umwelt versichern wir, dass unsere Produkte, die unter den Bestimmungen der RoHS-Richtlinie über die Beschränkung der Verwendung gefährlicher Stoffe in Elektro- und Elektronikgeräten fallen, in Übereinstimmung mit den oben erwähnten Bestimmungen konzipiert und hergestellt wurden. Gleichzeitig versichern wir, dass unsere Produkte getestet wurden und keinerlei Gefahrstoffe enthalten, die Grenzwerte überschreiten, welche sich negativ auf die menschliche Gesundheit oder die Umwelt auswirken könnten.

Hinweis

Dieses Gerät ist als Bestandteil eines professionellen, Überwachungs- und Kontrollzwecken dienenden Videoüberwachungssystems nicht für die eigenmächtige Installation in Haushalten durch Personen ohne technisches Fachwissen gedacht

Haftungsausschluss für den Fall einer Beschädigung von auf Festplatten oder anderen Speichermedien gespeicherten Daten:

Der Hersteller haftet nicht im Falle einer Beschädigung von auf Festplatten oder anderen Speichermedien gespeicherten Daten während des Betriebs des Gerätes.

ACHTUNG!

VOR DER DURCHFÜHRUNG IRGENDWELCHER NICHT IM BENUTZERHANDBUCH ODER ANDEREN, MIT DEM PRODUKT AUSGELIEFERTEN UNTERLAGEN BESCHRIEBENER SCHRITTE ODER ANWENDUNGSBEREICHEN, DIE NICHT DER GEWÖHNLICHEN ANWENDUNG DES PRODUKTES ENTSPRECHEN, IST ZUNÄCHST DER HERSTELLER ZU KONTAKTIEREN. ANDERNFALLS HAFTET DIESER NICHT FÜR DIE SICH EVTL. AUS ENTSPRECHENDEN HANDLUNGEN ERGEBENDEN FOLGEN.



WICHTIGE SICHERHEITSMASSNAHMEN UND WARNHINWEISE

ACHTUNG!

DIE BEACHTUNG DES INHALTS DIESES HANDBUCHS IST UNABDINGBARE VORAUSSETZUNG FÜR DAS ORDNUNGSGEMÄSSE FUNKTIONIEREN DES GERÄTES. SIE WERDEN GEBETEN, SICH VOR DER INSTALLATION UND DEM WEITEREN EINSATZ DES GERÄTES MIT DEM HANDBUCH VERTRAUT ZU MACHEN.

ACHTUNG!

DER BENUTZER DARF DAS GEHÄUSE DES GERÄTS NICHT ÖFFNEN, DA SICH IM INNEREN KEINE BENUTZER WARTUNGSFÄHIGEN TEILE BEFINDEN. DAS GERÄT DARF NUR VON ENTSPRECHEND AUTORISIERTEM FACHPERSONAL GEÖFFNET WERDEN. INSTALLATION UND WARTUNG SOLLTEN NUR VON QUALIFIZIERTEM SERVICEPERSONAL DURCHFÜHRT WERDEN UND MÜSSEN ALLE LOKALEN GESETZLICHEN BESTIMMUNGEN EINHALTEN

1. Bevor Sie Arbeitsschritte durchführen, schlagen Sie bitte in diesem Handbuch nach und lesen Sie vor dem Start des Gerätes sämtliche Sicherheits- und Betriebshinweise.
2. Bitte bewahren Sie dieses Handbuch während der gesamten Lebensdauer des Geräts auf; somit haben Sie es bei Bedarf zur Hand;
3. Alle im vorliegenden Handbuch aufgenommenen Sicherheitshinweise müssen sorgfältig eingehalten werden, da sie sich unmittelbar auf die Benutzersicherheit sowie die Haltbarkeit und Zuverlässigkeit des Gerätes auswirken;
4. Alle vom Servicepersonal und den Benutzern durchgeführten Handlungen müssen gemäß Benutzerhandbuch ausgeführt werden;
5. Bei der Durchführung von Wartungsarbeiten muss das Gerät vom Stromnetz getrennt werden;
6. Die Verwendung von zusätzlichen Geräten und Komponenten, die vom Hersteller weder bereitgestellt noch empfohlen wurden, ist nicht erlaubt;
7. Das Gerät darf nicht in Umgebungen mit hohem Feuchtigkeitsgrad (z. B. in der Nähe von Schwimmbädern, Badewannen und feuchten Kellergeschossen) verwendet werden;
8. Es wird davon abgeraten, das Gerät an Orten zu installieren, an denen keine ordnungsgemäße Belüftung gewährleistet ist (z.B. in geschlossenen Spinden), da es hier zu Hitzestaus kommen kann, die das Gerät beschädigen;
9. Die Montage der Kamera auf wackligen Unterlagen bzw. die Verwendung nicht genehmigter Kamerahalterungen ist nicht erlaubt. Eine unsachgemäß montierte Kamera kann schwere Unfälle verursachen oder das Gerät selbst stark beschädigen. Die Kamera ist nach den Anweisungen im Benutzerhandbuch von qualifiziertem, entsprechend autorisiertem Personal zu montieren;
10. Das Gerät sollte nur mit Stromquellen betrieben werden, deren Parameter mit denen übereinstimmen, die vom Hersteller im technischen Datenblatt aufgeführt wurden. Es ist daher strengstens verboten, die Kamera über Stromquellen mit unbekanntem, instabilen oder nicht den Anforderungen des Herstellers entsprechenden Parametern zu versorgen;

Da das Produkt kontinuierlich verbessert und optimiert wird, können sich bestimmte, im Benutzerhandbuch beschriebene Parameter und Funktionen ohne vorherige Ankündigung ändern.

Wir empfehlen Ihnen den Besuch unserer Website www.novuscctv.com, wo Sie immer das aktuellste Handbuch finden.

INHALTSVERZEICHNIS

INHALTSVERZEICHNIS	4
1. VORWORT	5
1.1. Allgemeine Eigenschaften	5
1.2. Technische Daten	6
1.3. Abmessungen der Kamera	7
1.4. Lieferumfang	7
2. START UND ERSTKONFIGURATION DER IP-KAMERA	8
2.1. Beschreibung der Stecker und Steuerungs-Tools	8
2.2. Ethernet-Kabel anschließen	9
2.3. Montage der Kamera	10
2.4. Start der IP-Kamera	11
2.5. Erstkonfiguration über Webbrowser	12
2.6. Sicherheitsempfehlungen für Netzwerkarchitektur und Konfiguration	13
3. NETZWERK-VERBINDUNGEN ÜBER WEBBROWSER	14
3.1. Empfohlene PC-Spezifikationen für Webbrowser	14
3.2. Verbindung der IP-Kamera über einen Webbrowser	14
4. WWW-SCHNITTSTELLEN – ARBEIT MIT IP-KAMERAS	16
4.1. Wiedergabe von Live-Videos	16
5. ELEKTRO-ANSCHLÜSSE UND ZUBEHÖR	17
5.1. Einlegen der MicroSD-Karte	17
6. WERKSEINSTELLUNGEN WIEDERHERSTELLEN	18
6.1. Wiederherstellung der Software-Werkseinstellungen per Web-Browser	18
6.2. Wiederherstellung der Software-Werkseinstellungen mit dem NMS IPTool....	18
6.3. Wiederherstellung der Hardware-Werkseinstellungen	19

1. VORWORT

1.1. Allgemeine Eigenschaften

- Sensorauflösung: 4.0 Megapixel
- Mechanischer IR-Cut-Filter (für IR-Betrieb geeignet)
- Min. Beleuchtung ab 0,005 lx
- Wide Dynamic Range (WDR) für verbesserte Bildqualität bei verschiedenen Lichtverhältnissen
- Eingebauter Webserver: Kamerakonfiguration über die Website
- Videokompression: H.264, H.264+, H.264 Smart, H.265, H.265+, H.265 Smart, MJPEG
- Max. Videoauflösung bis zu 2592 x 1520
- Electronic-Shutter von 1/3 s bis 1/100000 s.
- Digitale Rauschunterdrückung (DNR)
- Spitzlichtaustattung
- Gegenlichtkompensation
- Bildflimmern reduzieren (Antiflicker)
- Kompression, Auflösung, Geschwindigkeit und Qualität werden für jeden Stream einzeln bestimmt
- Unterstützt bis zu 3 Streams
- ONVIF Protokoll-Support
- RTSP-Protokoll-Support für Video-Übertragung
- ROI-Zonen
- Privatzenen
- Micro-SD-Kartensteckplatz bis 128 GB
- Audio-Eingang mit eingebautem Mikrofon
- Reset-Knopf
- Deep-Learning-basierte Video-Content-Analyse mit Mensch-/Fahrzeug-Objektklassifikation
- Breites Spektrum an Reaktionsmöglichkeiten auf Alarmereignisse: E-Mail mit Anhang, SD-Card, FTP-Server
- Software: NMS (NOVUS MANAGEMENT SYSTEM) für Video-Aufnahmen, Live-Monitoring, Playback und Fernsteuerung von IP-Geräten
- Stromversorgung: 12 VDC / PoE

VORWORT

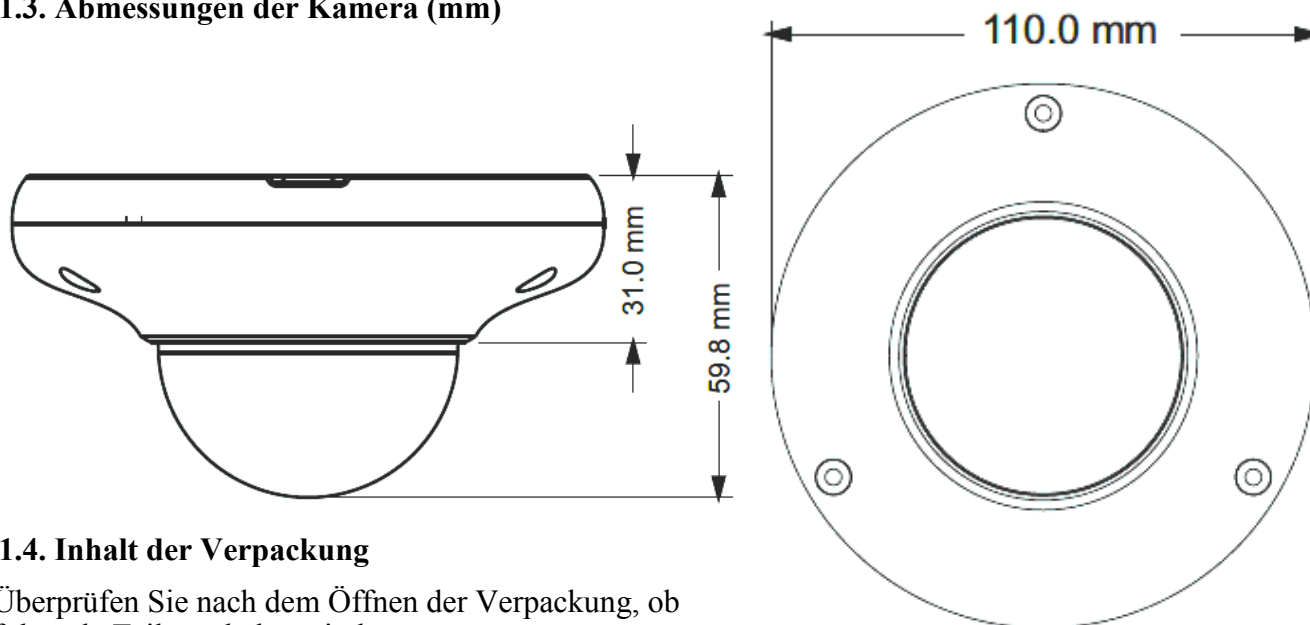
1.2. Technische Daten

BILD	
Bildsensor	4 MPX CMOS-Sensor 1/3" SmartSens
Effektive Pixelzahl	2592 (H) x 1520 (V)
Min. Beleuchtung	0.005 lx/F1.6 - Farbmodus, 0 lx (IR on) - Schwarz/Weiß-Modus
Electronic Shutter	Auto/manuell: 1/3 s ~ 1/100000 s
Digital Slow Shutter (DSS)	bis zu 1/3 s
Wide Dynamic Range (WDR)	Ja (Double-Scan-Sensor), 120dB
Digitale Rauschunterdrückung (DNR)	2D, 3D
Antibeschlags-Funktion (F-DNR)	Ja
Spitzlichtaustattung (HLC)	Ja
Gegenlichtkompensation (BLC)	Ja
Bildflimmern reduzieren (Antiflicker)	Ja
OBJEKTIV	
Linsentyp	Standard, f=2,8 mm/F1.6
TAG-/NACHT-FUNKTION	
Switch-Typ	mechanischer IR-Cut-Filter
Switch-Modus	Auto, Manual, Time
Switching Level-Anpassung	Ja
Switch-Verzögerung	2 ~ 120 s
Switch-Zeitschema	Ja
Visible Light-Sensor	Ja
NETZWERK	
Stream-Auflösung	2592 x 1520, 2560 x 1440 (QHD), 2304 x 1296, 1920 x 1080 (Full-HD), 1280 x 720, 640 x 480 (VGA), 480 x 240, 320 x 240 (QVGA)
Frame-Rate	30 fps für 2592 x 1520, 60 fps für 1920 x 1080 (Full-HD) und niedrigere Auflösungen
Multistreaming-Modus	3 Streams
Video-/Audio-Kompression	H.264, H.264+, H.264 Smart, H.265, H.265+, H.265 Smart, MJPEG/G.711
Anzahl paralleler Anschlüsse	Max. 10
Bandbreite	Insgesamt 60 Mb/s
Unterstützte Netzprotokolle	HTTP, TCP/IP, IPv4/v6, UDP, HTTPS, Multicast, FTP, DHCP, DDNS, NTP, RTSP, UPnP, SNMP, QoS/DSCP, IEEE 802.1X, PPPoE, SMTP, ICMP, Unicast
ONVIF Protokoll-Support	Profil S/G
Konfiguration der Kamera	des Internet Explorer-Browsers Sprachen: Polnisch, Englisch, Russisch und andere
Kompatible Software	NMS, NVR-6000 Viewer
Mobilanwendungen	SuperLive Plus (iPhone, Android)
ANDERE FUNKTIONEN	
Privatzonenmaskierung	4 Video-Maskentypen: Single Color oder 1 Video-Maskentyp: Mosaic
Bewegungserkennung	Ja
Region of Interest (ROI)	8
Video-Content-Analyse (VCA)	Manipulationserkennung, Abandoned Object Detection, Verschwinden von Objekten, Line-Crossing, Eintritt in eine Zone, Objektzählung, Gesichtserkennung, Szenenwechsel, Bild unscharf, Video-Color-Cast, Objekterkennung, Personenzählung, Fahrzeugerkennung und -zählung
Bildverarbeitung	180° Bilddrehung, Scharfstellen, Spiegeleffekt, Korridormodus, Vertikal und Horizontal drehung, Korrektur Objektivverzerrung
Pre-Alarm/Post-Alarm	bis zu 6 s/bis zu 120 s
Reaktion des Systems auf Alarm-Ereignisse	E-Mail, E-Mail mit Anhang, Speichern der Datei auf FTP-Server, Speicherung der Datei auf SD-card
Wiederherstellung der Standardeinstellungen	durch Webbrowser mit Reset-Knopf über NMS IPTool-Software

IR-LED	
Zahl LEDs	2
Reichweite	20 m
Smart-IR	Ja (Software-Support)
SCHNITTSTELLEN	
Audio-Input/-Output	1 x Stecker (3,5 mm)/- eingebautes Mikrofon
Netzwerkschnittstelle	1 x Ethernet - RJ-45 Schnittstelle, 10/100 Mbit/s
Memory-Card-Steckplatz	MicroSD – Kapazität: bis zu 128 GB
INSTALLATIONS-PARAMETER	
Abmessungen (in mm)	110 (Φ) x 60 (H)
Gewicht	0.4 kg
Schutzklasse	IP 66 (weitere Angaben in anderen Kapiteln)
Gehäuse	Vandalismusbeständig, Aluminium mit Stoßfestigkeitsgrad IK10, weiß
Stromversorgung	PoE, 12 V Gleichspannung
Überspannungsschutz	TVS 4000 V
Stromverbrauch	4 W, 6 W (mit IR)
Betriebstemperaturbereich	-30°C ~ 60°C
Feuchtigkeitsgrad	max. 95 %, relativ (nicht kondensierend)

de

1.3. Abmessungen der Kamera (mm)



1.4. Inhalt der Verpackung

Überprüfen Sie nach dem Öffnen der Verpackung, ob folgende Teile enthalten sind:

- IP-Kamera
- Tasche mit Zubehör
- Kurzfassung des Benutzerhandbuchs

Wurde irgendeines dieser Elemente beim Transport beschädigt, packen Sie alles wieder in die Box und nehmen Sie Kontakt zu Ihrem Lieferanten auf, der Ihnen weiterhilft.

VORSICHT !

Es ist verboten, als Stromquelle für die Kamera PoE-Equipment (Adapter, etc.) – zusammenfassend als „passive PoE power supply“ bezeichnet – zu verwenden, das die Anforderungen des IEEE 802.3af Standards nicht erfüllt. Schäden durch Verwendung ungeeigneter Stromversorgung sind von der Garantie ausgeschlossen.

START UND ERSTKONFIGURATION DER KAMERA

2. START UND ERSTKONFIGURATION DER IP-KAMERA

ACHTUNG!

Wenn das Gerät sich vor der Inbetriebnahme an einem Ort mit einer niedrigeren Temperatur befand, warten Sie bitte, bis es die Temperatur des derzeitigen Standortes angenommen hat. Sollte das Gerät doch unerlaubt eingeschaltet werden, bevor es die Umgebungstemperatur erreicht hat, kann es durch Ansammlungen von Kondenswasser zu Kurzschlüssen und Beschädigungen kommen.

de

Bevor Sie das Gerät in Betrieb nehmen, machen Sie sich bitte zuerst mit der Beschreibung und den Funktionen der Ein- und Ausgänge sowie den Einstellungsmöglichkeiten vertraut.

2.1 Beschreibung der Stecker und Steuerungs-Tools



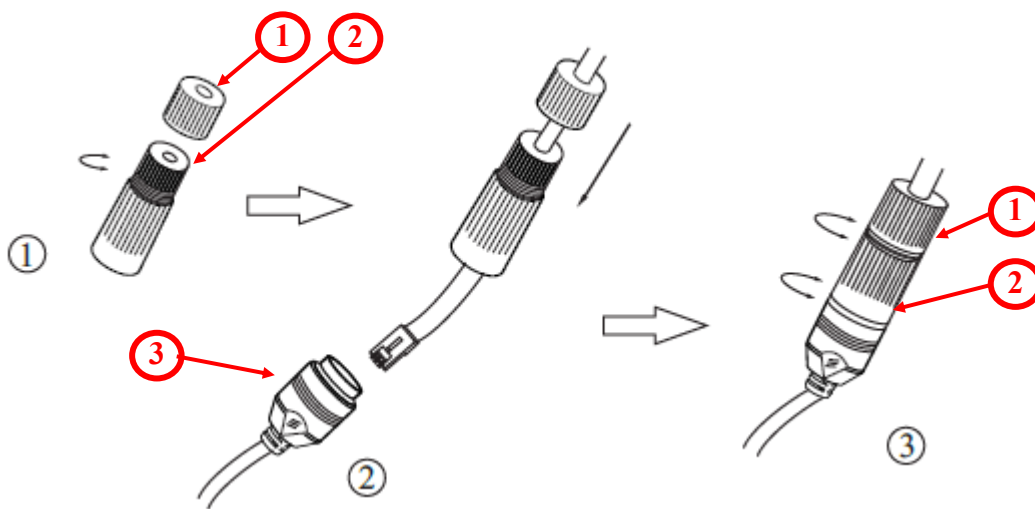
1. 100 Mbit / s Ethernet-Port (PoE RJ-45-Anschluss)
2. Audioeingang (Buchse 3,5 mm)
3. Stromversorgung 12VDC
4. MicroSD-Kartensteckplatz
5. Reset-Knopf

INBETRIEBNAHME UND ERSTKONFIGURATION DER KAMERA

2.2. Ethernet-Kabel anschließen

Um die Dichtigkeit der Ethernet-Kabelverbindung zu bewahren, bitte wie folgt vorgehen:

1. Mutter (1) von der Anschlussabdeckung (2) abschrauben.
2. Führen Sie das Netzkabel (ohne den RJ-45-Stecker) durch die Komponenten (1) und (2) und klemmen Sie dann den RJ-45-Stecker an.
3. Stecken Sie den RJ-45-Stecker in den hermetischen Steckverbinder (3), schrauben Sie die Steckerabdeckung (2) und dann die Mutter (1) auf.



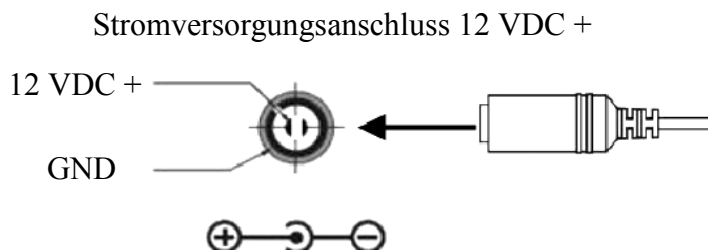
VORSICHT!

Der genannte Schutzgrad der Kamera bezieht sich auf das Gehäuse. Dringt Feuchtigkeit von außen durch die Verbindungskabel in die Kamera ein, kann dies nicht berücksichtigt werden. Die Person, die die Kamera installiert sollte die Verbindungskabel – z.B. durch entsprechende Isolierung – schützen. Der Hersteller haftet nicht für Schäden an der Kamera jedweder Art, die sich dadurch ergeben haben, dass die installierende Person diese Arbeitsschritte nicht befolgt hat. Dies bedeutet zugleich, dass bei einer derart beschädigten Kamera keine garantiebedingten Reparaturen möglich sind.

VORSICHT!

Der Gleichspannungsanschluss ist nicht hermetisch. Die installierende Person sollte diesen Anschluss selbst isolieren.

Die Stromversorgung der Kamera kann extern über ein den Kamera-Parametern entsprechendes Gerät erfolgen; oder über RJ45-Netzwerkstecker und eine PoE-Stromversorgungseinheit (802.3af). Verwenden Sie eine externe Stromversorgung, polen Sie die Drähte bitte wie auf der Abbildung gezeigt:



VORSICHT!

Als Schutz gegen Stromschwankungen/Blitzschlag wird die Verwendung eines geeigneten Überspannungsschutzes empfohlen. Jegliche sich aus Stromschwankungen ergebende Schäden fallen nicht in den Bereich von Service-Reparaturen.

INBETRIEBNAHME UND ERSTKONFIGURATION DER KAMERA

2.3. Montage der Kamera

Um eine Kamera zu installieren, beachten Sie bitte die nachstehende Vorgehensweise:

- Lösen Sie die Schrauben von der oberen Kameraabdeckung.
- Entfernen Sie die Kameraabdeckung.
- Befestigen Sie die Halterung an einem gewünschten Montageort (mit Kabelloch) an der Wand. Nehmen Sie das Bohrmuster und markieren Sie zukünftige Bohrlöcher für Schrauben und Drähte.
- Bohren Sie die Löcher gemäß den zuvor vorgenommenen Markierungen und der Platzierung der Basislöcher.
- Montieren Sie gegebenenfalls die microSD-Karte in den Sockel.
- Schließen Sie die Kamerakabel an.
- Befestigen Sie den Kameraboden mit den mitgelieferten Steckern und Schrauben.
- Passen Sie die Kameraposition an.
- Setzen Sie die Kameraabdeckung auf und schrauben Sie die Schrauben fest.



VORSICHT !

Bitte beachten Sie, dass Wände oder Decken solide genug sein müssen, um die IP-Kamera zu tragen.

VORSICHT !

Um die deklarierte Schutzklasse zu erreichen, isolieren Sie bitte den Kamerafuß, damit dort kein Wasser eindringt. Bei Installation der Klammer auf rauen/unebenen Flächen sollten Sie die Dichtung zusätzlich mit der passenden Dichtmasse versiegeln. Bitte beachten Sie besonders evtl. Montagebohrungen; handelt es sich um Durchführungslöcher, versiegeln Sie diese bitte ebenfalls.

INBETRIEBNAHME UND ERSTKONFIGURATION DER KAMERA

2.4. Start der IP- Kamera

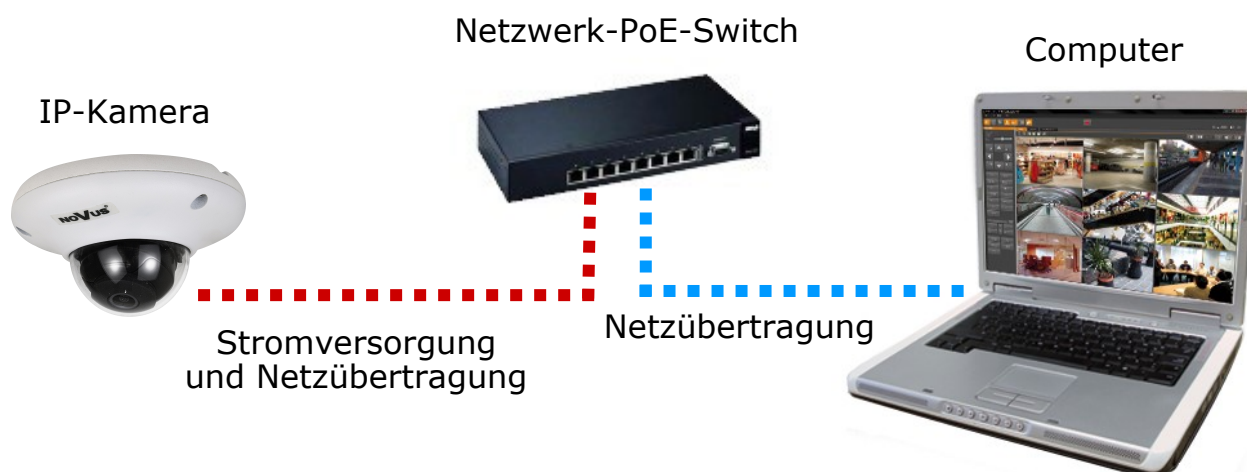
Um die NOVUS IP-Kamera in Betrieb zu nehmen, müssen Sie Kamera und Netzwerk-PoE-Switch mit PoE-Support (IEEE 802.3af) verbinden.

Sie können sie auch direkt über ein 12VDC-Netzteil anschließen, das zur Stromversorgung der Kamera geeignet ist.

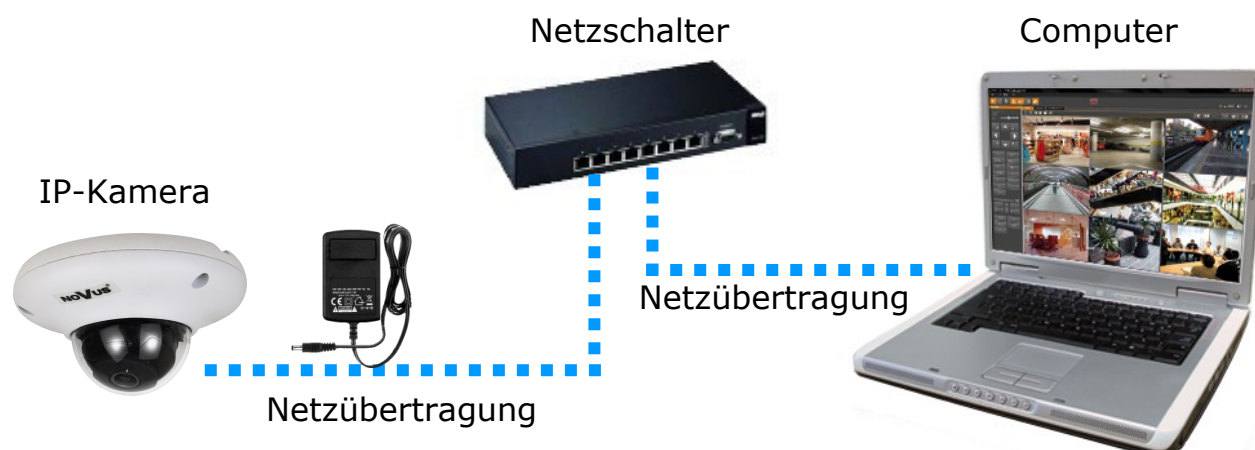
Nach dem Anschluss sollte zur Anzeige des Power-Status die rote LED-Diode aufleuchten. Der Initialisierungsvorgang dauert etwa 2 Minuten. Dann können Sie die Kamera mit einem Web-Browser verbinden.

Zum Starten einer IP-Kamera und deren Konfiguration empfiehlt sich ein direktes Verbinden mit dem Netzwerk-Switch, wenn dieser nicht mit anderen Geräten verbunden ist. Kontaktieren Sie bitte Ihren Netzwerk-Administrator, um weitere Informationen über die Netzwerk-Konfigurations-Parameter (IP-Adresse, Gateway, Netzmaske etc.) zu erhalten.

- Anschluss mit Netzwerk-Switch und PoE-Unterstützung

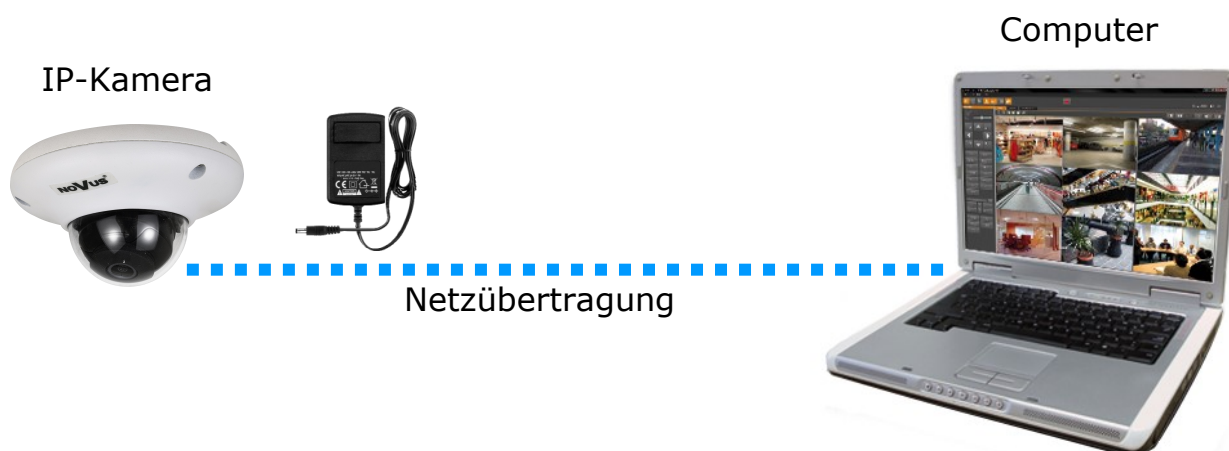


- Anschluss mit externer Stromversorgung und Netzwerk-Switch



INBETRIEBNAHME UND ERSTKONFIGURATION DER KAMERA

- Anschluss mit externer Stromversorgung direkt am Computer



Hinweis:

Netzteil nicht im Lieferumfang enthalten. Bitte verwenden Sie ein Netzteil mit den im Benutzerhandbuch angegebenen Parametern.

2.5. Erstkonfiguration über Web- Browser

Die Standard-Netzwerk-Einstellungen für Kamera lauten:

1. IP-Adresse = **192.168.1.200**
2. Netzwerk-Maske = **255.255.255.0**
3. Gateway = **192.168.1.1**
4. Username = **root**
5. Passwort = **pass**

Wenn Ihnen die IP-Adresse der Kamera bekannt ist, müssen Sie die IP-Adresse des PCs entsprechend festlegen, damit beide Geräte in einem Netzwerk-Subnetz miteinander kommunizieren können (z.B. für IP 192.168.1.200 liegt die geeignete Adresse für die Kamera dann zwischen 192.168.1.2 und 192.168.1.254, also z.B. 192.168.1.60). Es ist nicht erlaubt, für die Kamera und den PC dieselbe Adresse festzulegen

Sie können entweder selbst eine Netzwerk-Konfiguration für die NOVUS-IP-Kamera einrichten (IP-Adresse, Gateway, Netzmaske etc.) oder den DHCP-Modus wählen (hierbei ist im Ziel-Netzwerk ein DHCP-Server erforderlich); hierzu benötigen Sie dann einen Webbrowser oder NMS-Software. Überprüfen Sie bei Verwendung eines DHCP-Servers die IP-Adresse-Leasezeit und die Verbindung zur MAC-Adresse der Kamera, um zu verhindern, dass beim Betrieb des Gerätes die IP-Adresse verlorenght oder das Netzwerk/der DHCP-Server ausfällt. Vergessen Sie nicht, nach Änderung der Netzwerk-Parameter eine neue IP-Adresse für die Kamera zuzuweisen.

Nach Konfiguration der Netzwerkeinstellungen lässt sich die Kamera an ein Ziel-Netzwerk anschließen.

INBETRIEBNAHME UND ERSTKONFIGURATION DER KAMERA

2.6. Sicherheitsempfehlungen für Netzwerkarchitektur und Konfiguration

VORSICHT!

Nachstehend einige Sicherheitsempfehlungen für Netzwerkarchitektur und Konfiguration von mit dem Internet verbundenen CCTV-Systemen; diese Empfehlungen dienen der Senkung des Risikos, dass sich Dritte unerlaubt Zugang zu dem System verschaffen.

1. Wir empfehlen Ihnen dringendst, alle standardmäßig eingerichteten Passwörter und Usernamen sämtlicher im Netzwerk operierender Geräte zu ändern (Rekorder, Kamera, Router, Netzwerk-Switch, sofern das Gerät diese Möglichkeit hat) und Passwörter mit ausreichend hohem Komplexitätsgrad zu verwenden. Verwenden Sie, falls möglich, Groß- und Kleinschreibung, Zahlen sowie Sonderzeichen.
2. Je nach verfügbarer Funktionalität zur Begrenzung des Zugriffs auf die verwendeten Netzwerkgeräte auf Administrator-Account-Ebene wird empfohlen, die Benutzer-Accounts entsprechend zu konfigurieren.
3. Verwenden Sie in Ihrem Router nicht die DMZ-Funktion (Entmilitarisierte Zone). Die Verwendung dieser Funktion öffnet nämlich das Aufnahmesystem des Internets an allen Ports, was die Möglichkeit eines ungenehmigten Eindringens in das System eröffnet. Verwenden Sie anstelle von DMZ die Portweiterleitung und leiten Sie nur die Ports um, die zur Durchführung der Verbindung notwendig sind (detaillierte Angaben über Kommunikations-Ports in verschiedenen Modellen von Rekordern, Kameras etc. finden sich in der Betriebsanweisung).
4. Verwenden Sie Router mit einer Firewall-Funktion, deren Aktivierung und korrekte Konfigurierung Sie zuvor sichergestellt haben.
5. Sofern diese Möglichkeit besteht, wird empfohlen, die standardmäßig eingerichteten Netzwerk-Kommunikations-Portnummern der verwendeten Geräte zu ändern.
6. Verfügen eingesetzte Netzwerkgeräte über ein nicht verwendetes UPnP-Feature, deaktivieren Sie dieses.
7. Verfügen eingesetzte Netzwerkgeräte über ein nicht verwendetes P2P-Feature, deaktivieren Sie dieses.
8. Unterstützen die eingesetzten Netzwerkgeräte den Anschluss eines HTTPS-Protokolls, raten wir dazu, dieses zu verwenden.
9. Unterstützen die eingesetzten Netzwerkgeräte eine IP-Filterung-Funktion für genehmigte Verbindungen, raten wir dazu, diese zu verwenden.
10. Hat die eingesetzte Aufnahmevorrichtung zwei Netzwerkschnittstellen, wird empfohlen, beide in einem physisch separaten Netzwerk für Kameras und Netzwerke für Internetanschlüsse zu verwenden. Das einzige vom Internet aus zugängliche Gerät im System ist dann die Aufnahmevorrichtung – ein direkter physischer Zugriff auf eine der Kameras besteht nicht.

NETZWERK-VERBINDUNG ÜBER WEBBROWSER

3. NETZWERK-VERBINDUNGEN ÜBER WEBBROWSER

3.1. Empfohlene PC-Spezifikationen für Webbrowser-Verbindungen

Die nachstehend aufgeführten Anforderungen gelten für die Verbindung mit einer IP-Kamera unter der Voraussetzung einer ruckelfreien Bildanzeige bei einer Auflösung von 2592 x 1520 und einer Geschwindigkeit von 30 fps.

1. CPU **Intel i7 3 GHz** oder schneller
2. **RAM** Speicher mind. **6 GB**
3. VGA-Card **Nvidia GeForce 1GB**
4. Betriebssystem **Windows 7 / 8 / 8.1 / 10**
5. Netzwerke-Karte **100/1000 Mb/s**

3.2. Verbindung der IP-Kamera über einen Webbrowser

VORSICHT!

Damit als Snapshot oder Videoaufnahme ein korrekter Betrieb gewährleistet ist, müssen Sie den Browser als Administrator ausführen.

Geben Sie die IP-Adresse der Kamera in die Adressleiste des Web-Browsers ein. Bei korrekter IP-Adresse erscheint das Login-Fenster:

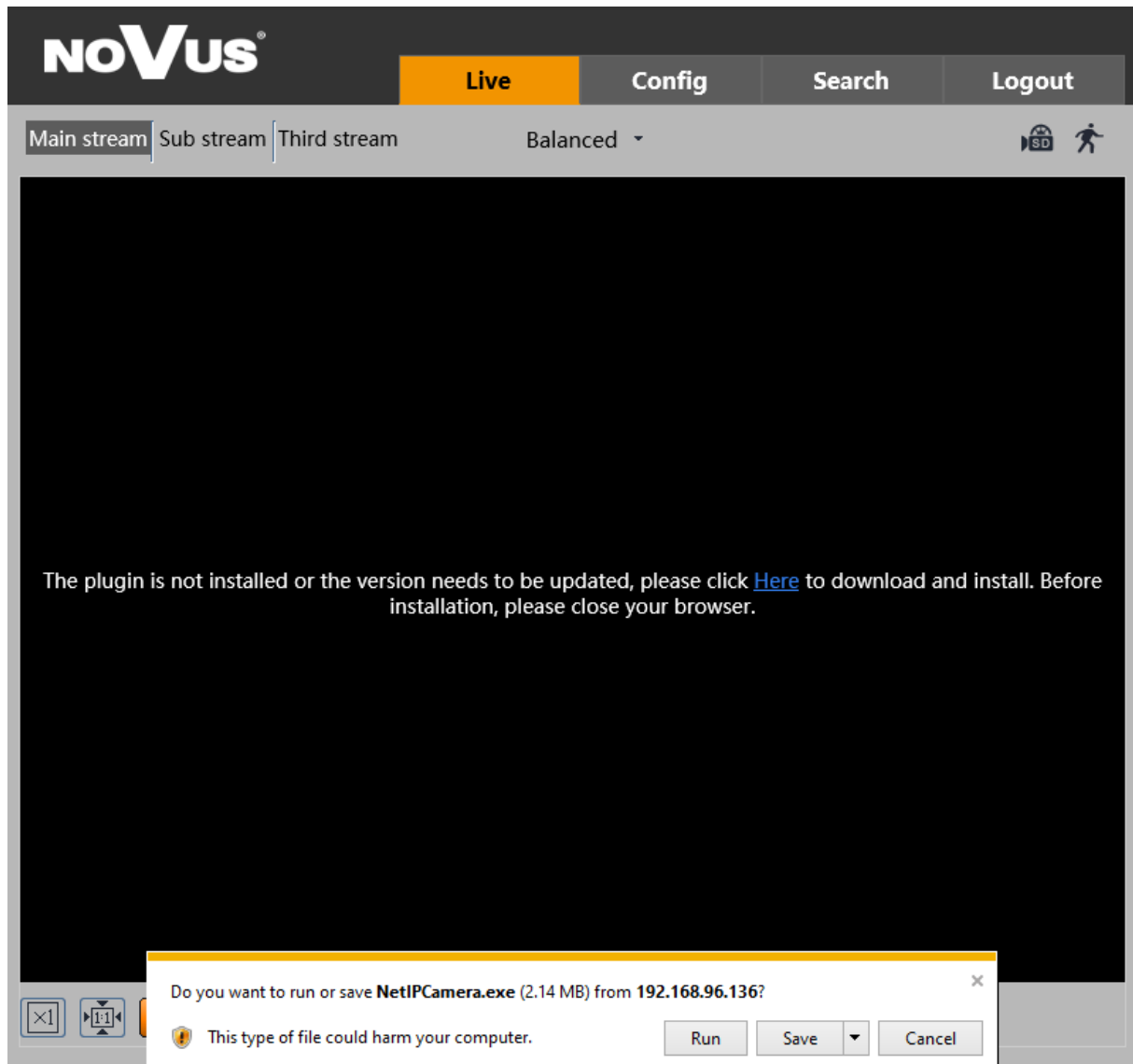
Unter *Language* können Sie die Anzeigesprache ändern. Verfügbare Sprachen: Polnisch, Englisch und andere.

VORSICHT !

Der Standard-User heißt *root*, das Standard-Passwort lautet *pass*. Beim ersten Login werden Sie gebeten, Ihr Standard-Passwort zu ändern (empfohlen). Haken Sie dazu die Option *Modify password* an, geben dann das neue Passwort ein und bestätigen es. Um sich ohne Passwortänderung an der Kamera einzuloggen, drücken Sie die Schaltfläche *OK*. Diese Nachricht wird Ihnen bei jedem Login angezeigt, bis Sie Ihr Passwort ändern, oder die Option *Do not show again* auswählen.

NETZWERK-VERBINDUNG ÜBER WEBBROWSER

Bei Erstverwendung der Kamera erscheint folgender Bildschirm.



Damit die Kamera ordnungsgemäß funktioniert, benötigen Sie ein *NetAIIPCamera* Plugin. Bitte downloaden und installieren Sie dieses. Klicken Sie hierzu einfach auf die Schaltfläche *Save* und dann *Run*; schließen Sie den IE-Browser, wählen Sie die Sprache aus, klicken Sie auf *Install* und schließlich auf den Button *Finish*. Rufen Sie nach der Installation den IE-Browser auf.

VORSICHT!

Beim Arbeiten mit Windows Vista, 7, 8, 8.1 oder 10 kann das ActiveX-Applet von Windows Defender oder der User-Account-Control-Funktion blockiert werden. In einem solchen Fall sollten Sie das Applet zulassen oder die entsprechenden Funktionen einfach deaktivieren.

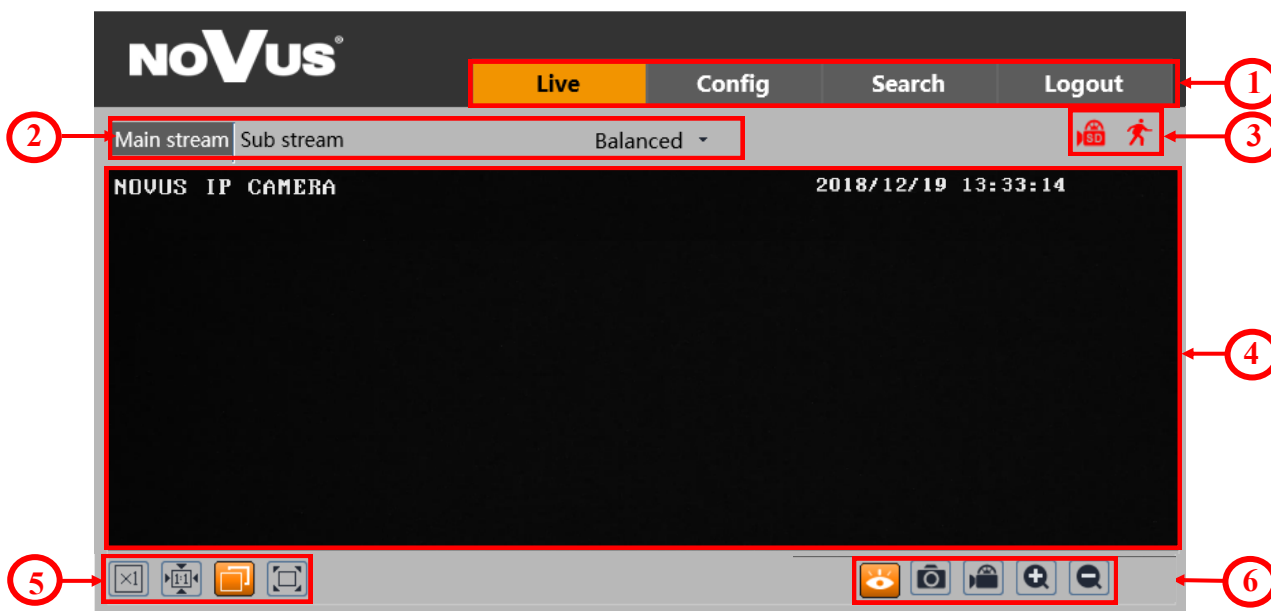
VORSICHT!

Misslingt die Installation, müssen die Sicherheitseinstellungen des IE-Browsers verändert werden. Selektieren Sie dazu bitte „Enable“ für die Optionen *Initialize and script ActiveX controls not marked as safe* und *Download unsigned ActiveX controls*.

WWW-SCHNITTSTELLE – ARBEITEN MIT DER IP-KAMERA

4. WWW-SCHNITTSTELLE – ARBEITEN MIT DER IP-KAMERA

4.1 Wiedergabe von Live-Videos



1. Kamera-Menü
 - *Live* – öffnet das Kamera-Live-Video
 - *Config* – öffnet das Kamera-Konfigurationsmenü
 - *Search* – öffnet das Kamera-Playback
 - *Logout* – Über diesen Button loggt sich der aktuelle User aus
2. Mit den Buttons zum Ändern des angezeigten Streams und der Fluency können Sie den Stream auf Mainstream und Substream einstellen. Außerdem haben Sie im Bereich Fluency die Auswahl zwischen *Echtzeit*, *Normal* und *Fluent*.
3. Alarmsymbole – Diese Icons zeigen den aktuellen Status verschiedener Kamera-Alarme an.
4. Live-Video-Fenster
5. Bildeinstellungs-Buttons - diese Buttons ändern den Bildanzeigemodus in der Live-Video-Vorschau



Originalgröße



Angepasst t



Proper Size



Vollbildschirm

6. Funktions-Buttons – Mit diesen Tasten können Sie einzelnen Funktionen (de-)aktivieren



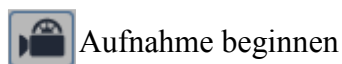
Stop live view



Snapshot



Heranzoomen/Herauszoomen (digital)



Aufnahme beginnen

ELEKTRO-ANSCHLÜSSE UND ZUBEHÖR

5. ELEKTRO-ANSCHLÜSSE UND ZUBEHÖR

5.1. Einlegen der MicroSD card

Die Kamera unterstützt MicroSD-Karten mit maximal 128 GB Speicherkapazität. Um die Karte ordnungsgemäß zu installieren, befolgen Sie bitte die folgenden Anweisungen:

- Kamera ausschalten.
- Schrauben Sie die Kameraabdeckung ab.
- Setzen Sie die microSD-Karte in den Sockel (1).
- Schrauben Sie die Kameraabdeckung fest.
- Kamera einschalten.
- Überprüfen Sie die Kapazität der microSD-Karte unter der Reiterkarte „System“ -> „SD Card“.



de

WIEDERHERSTELLUNG DER WERKSEINSTELLUNGEN

6. WIEDERHERSTELLUNG DER WERKSEINSTELLUNGEN

Mit der Wiederherstellung der Werkseinstellungen der IP-Kamera wird das Gerät auf die Standardeinstellungen zurückgesetzt. Dieser Vorgang dauert etwa 2 Minuten. Bei NOVUS NVIP-4V-6511/F können die Standardeinstellungen wie folgt wiederhergestellt werden:

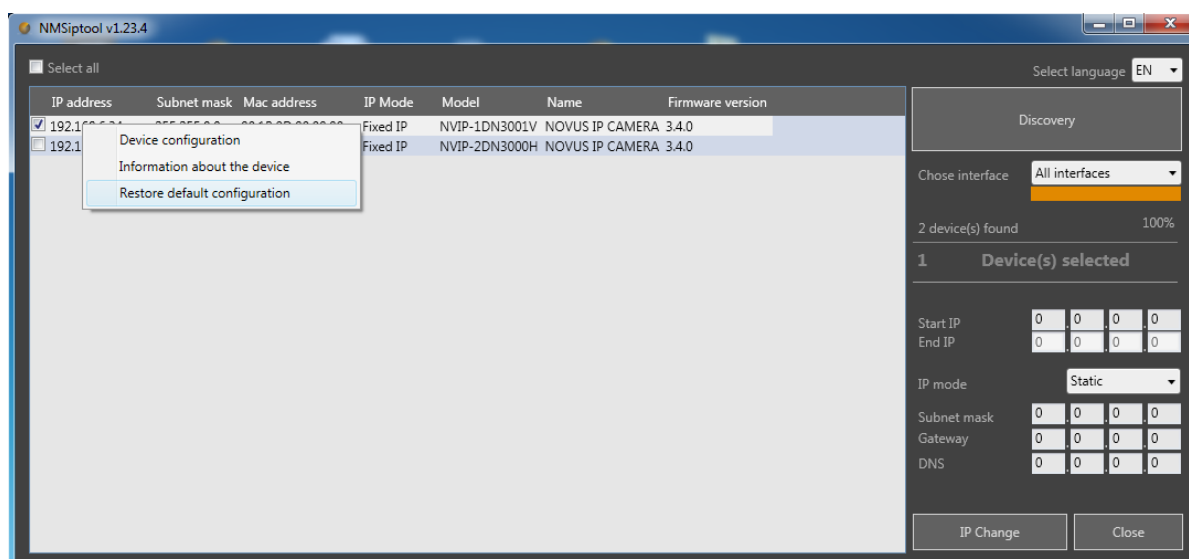
- Software (über Webbrowser)
- Software (über NMS-IPTool)
- Hardware (unter Verwendung des Reset-Knopfes (RST))

6.1. Wiederherstellung der Software-Werkseinstellungen per Web-Browser

Durch die Wiederherstellung der Werkseinstellungen per Web-Browser können manche Einstellungen, wie z.B. die Netzwerkeinstellungen, beibehalten werden. Dazu gehen Sie bitte auf: „Maintenance -> Backup and Restore“.

6.2. Wiederherstellung der Software-Werkseinstellungen mit dem NMS IPTool

NMS IPTool (Version 1.23.4 oder höher) zur Wiederherstellung der Werkseinstellungen. Zur Wiederherstellung der Kamera-Einstellungen über NMS IPTool, klicken Sie die rechte Maustaste und dann auf „Restore default configuration“. Die Kamera muss innerhalb von 30 Sekunden aus- und wieder eingeschaltet werden.



WIEDERHERSTELLUNG DER WERKSEINSTELLUNGEN

6.3. Wiederherstellung der Hardware- Werkseinstellungen

Zur Wiederherstellung der Werkseinstellungen über den Reset-Knopf (*RST*) gehen Sie bitte wie folgt vor:

- Schrauben Sie die Kameraabdeckung ab.
- Drücken Sie die Reset-Taste (1) und halten Sie sie 10 Sekunden lang gedrückt.
- Freigabeknopf
- Schrauben Sie die Kameraabdeckung fest.
- Loggen Sie sich nach ca. 2 Minuten mit der Standard-IP-Adresse (<http://192.168.1.200>) sowie Standard-Usernamen (**root**) ein und Passwort (**pass**) ein.



noVus[®]

AAT SYSTEMY BEZPIECZEŃSTWA Sp. z o.o.
431 Pulawska St., 02-801 Warschau, Polen
tel.: +4822 546 07 00, fax: +4822 546 07 59
www.novuscctv.com

2020-07-02 JZ MO