

# User's manual (short form)

eng



NVIP-12F-8001

**NOVUS<sup>®</sup>**

## IMPORTANT SAFEGUARDS AND WARNINGS

---

### EMC (2014/30/EU) and LVD (2014/35/EU) Directives

#### CE Marking

Our products are manufactured to comply with requirements of the following directives and national regulations implementing the directives:

- Electromagnetic compatibility EMC 2014/30/EU.
- Low voltage LVD 2014/35/EU with further amendment. The Directive applies to electrical equipment designed for use with a voltage rating of between 50VAC and 1000VAC as well as 75VDC and 1500VDC.

### WEEE WEEE 2012/19/UE

#### Information on Disposal for Users of Waste Electrical and Electronic Equipment



This appliance is marked according to the European 1000VAC Directive on Waste Electrical and Electronic Equipment (2012/19/UE) and further amendments. By ensuring this product is disposed of correctly, you will help to prevent potential negative consequences for the environment and human health, which could otherwise be caused by inappropriate waste handling of this product.

The symbol on the product, or the documents accompanying the product, indicates that this appliance may not be treated as household waste. It shall be handed over to the applicable collection point for used up electrical and electronic equipment for recycling purpose. For more information about recycling of this product, please contact your local authorities, your household waste disposal service or the shop where you purchased the product.

#### RoHS Directive 2011/65/UE

Out of concern for human health protection and friendly environment, we assure that our products falling under RoHS Directive regulations, regarding the restriction of the use of hazardous substances in electrical and electronic equipment, have been designed and manufactured in compliance with the above mentioned regulations. Simultaneously, we claim that our products have been tested and do not contain hazardous substances whose exceeding limits could have negative impact on human health or natural environment



#### Information

The device, as a part of professional CCTV system used for surveillance and control, is not designed for self installation in households by individuals without technical knowledge.

#### Excluding of responsibility in case of damaging data on a disk or other devices:

The manufacturer does not bear any responsibility in case of damaging or losing data on a disk or other devices during device operation.

#### WARNING!

PRIOR TO UNDERTAKING ANY ACTION THAT IS NOT DESCRIBED FOR THE GIVEN PRODUCT IN USER'S MANUAL AND OTHER DOCUMENTS DELIVERED WITH THE PRODUCT, OR IF IT DOES NOT ARISE FROM THE USUAL APPLICATION OF THE PRODUCT, MANUFACTURER MUST BE CONTACTED UNDER THE RIGOR OF EXCLUDING THE MANUFACTURER'S RESPONSIBILITY FOR THE RESULTS OF SUCH AN ACTION.



## IMPORTANT SAFEGUARDS AND WARNINGS

---

---

### **WARNING!**

THE KNOWLEDGE OF THIS MANUAL IS AN INDISPENSIBLE CONDITION OF A PROPER DEVICE OPERATION. YOU ARE KINDLY REQEUSTED TO FAMILIARIZE YOURSELF WITH THE MANUAL PRIOR TO INSTALLATION AND FURTHER DEVICE OPERATION.

### **WARNING!**

USER IS NOT ALLOWED TO DISASSEMBLE THE CASING AS THERE ARE NO USER -SERVICEABLE PARTS INSIDE THIS UNIT. ONLY AUTHORIZED SERVICE PERSONNEL MAY OPEN THE UNIT

INSTALLATION AND SERVICING SHOULD ONLY BE DONE BY QUALIFIED SERVICE PERSONNEL AND SHOULD CONFORM TO ALL LOCAL REGULATIONS

1. Prior to undertaking any action please consult the following manual and read all the safety and operating instructions before starting the device.
2. Please keep this manual for the lifespan of the device in case referring to the contents of this manual is necessary;
3. All the safety precautions referred to in this manual should be strictly followed, as they have a direct influence on user's safety and durability and reliability of the device;
4. All actions conducted by the servicemen and users must be accomplished in accordance with the user's manual;
5. The device should be disconnected from power sources during maintenance procedures;
6. Usage of additional devices and components neither provided nor recommended by the producer is forbidden;
7. You are not allowed to use the camera in high humidity environment (i.e. close to swimming pools, bath tubs, damp basements);
8. Mounting the device in places where proper ventilation cannot be provided (e. g. closed lockers etc.) is not recommended since it may lead to heat build-up and damaging the device itself as a consequence;
9. Mounting the camera on unstable surface or using not recommended mounts is forbidden. Improperly mounted camera may cause a fatal accident or may be seriously damaged itself. The camera must be mounted by qualified personnel with proper authorization, in accordance with this user's manual.
10. Device should be supplied only from a power sources whose parameters are in accordance with those specified by the producer in the camera technical datasheet. Therefore, it is forbidden to supply the camera from a power sources with unknown parameters, unstable or not meeting producer's requirements;

Due to the product being constantly enhanced and optimized, certain parameters and functions described in the manual in question may change without further notice. We strongly suggest visiting the [www.novuscctv.com](http://www.novuscctv.com) website in order to access the newest manual

Data included in the following user's manual is up to date at the time of printing. AAT Holding S.A. holds exclusive rights to modify this manual. The producer reserves the rights for device specification modification and change in the design without prior notice.

## TABLE OF CONTENTS

---

<b>TABLE OF CONTENTS</b> .....	4
<b>1. FOREWORD INFORMATION</b> .....	5
1.1. General Characteristics.....	5
1.2. Specification .....	6
1.3. Camera dimension .....	7
1.4. Package contents.....	8
<b>2. START-UP AND INITIAL IP CAMERA CONFIGURATION</b> .....	9
2.1. Description of connectors and control tools.....	9
2.2 Camera mounting .....	10
2.3. Connecting Ethernet cable.....	11
2.4. Starting the IP camera.....	12
2.5. Initial configuration via the Web browser.....	13
2.6. Security recommendations for network architecture and configuration.....	14
<b>3. NETWORK CONNECTION UTILIZING WEB BROWSER</b> .....	15
3.1. Recommended PC specification for web browser .....	15
3.2. Connection with IP camera via web browser.....	15
<b>4. WWW INTERFACE - WORKING WITH IP CAMERA</b> .....	18
4.1. Displaying live pictures.....	18
4.2. Adding a site to the Compatibility View list .....	19
<b>5. ELECTRIC CONNECTORS AND ACCESORIES</b> .....	19
5.1. Connecting power supply to the camera. ....	19
5.2. SD card installation .....	20
5.3. Connecting alarm input and output .....	20
<b>6. RESTORING FACTORY DEFAULTS</b> .....	21
6.1. Restoring software factory defaults.....	21
6.2. Restoring hardware factory defaults in IP cameras.....	21

## FOREWORD INFORMATION

---

---

### 1. FOREWORD INFORMATION

#### 1.1. General Characteristics

- Imager resolution: 12.0 megapixels
- Mechanical IR cut filter
- IR operation capability
- Min. Illumination from 0.04 lx/F=2.4
- Wide Dynamic Range (WDR)
- Digital Slow Shutter (DSS)
- Digital Noise Reduction (DNR)
- Defog Function (F-DNR)
- Digital Image Stabilization (DIS)
- Highlight Compensation (HLC)
- Lens type: fish eye lens, f=1.8mm, F=2.4
- Built-in IR illuminator, 6 LEDs
- 1 Alarm input and 1 alarm output
- Compression: H.264, H.265, M-JPEG
- Max video processing resolution: 4000x3000
- Multi streaming: individually defined compression, resolution, speed and quality
- RTP/RTSP protocol support for video transmission
- Built-in microphone
- Pre & post-alarm functions
- Built-in webserver: camera configuration through the website
- MicroSD card support to 128GB
- Wide range of responses to alarm events: e-mail with attachment, saving file on FTP server, saving file on SD card, alarm output activation
- Network protocol support : HTTP, TCP/IP, IPv4, UDP, HTTPS, Multicast, FTP, DHCP, DNS, NTP, RTSP, RTP, UPnP, IEEE 802.1X, PPPoE, SMTP, RTCP
- Software: NMS (NOVUS MANAGEMENT SYSTEM) for video recording, live monitoring, playback and remote IP devices administration
- Enclosure vandal proof IK10
- Built-in Heater
- Power supply: 12VDC, 24VAC, PoE (Power over Ethernet)

eng

## FOREWORD INFORMATION

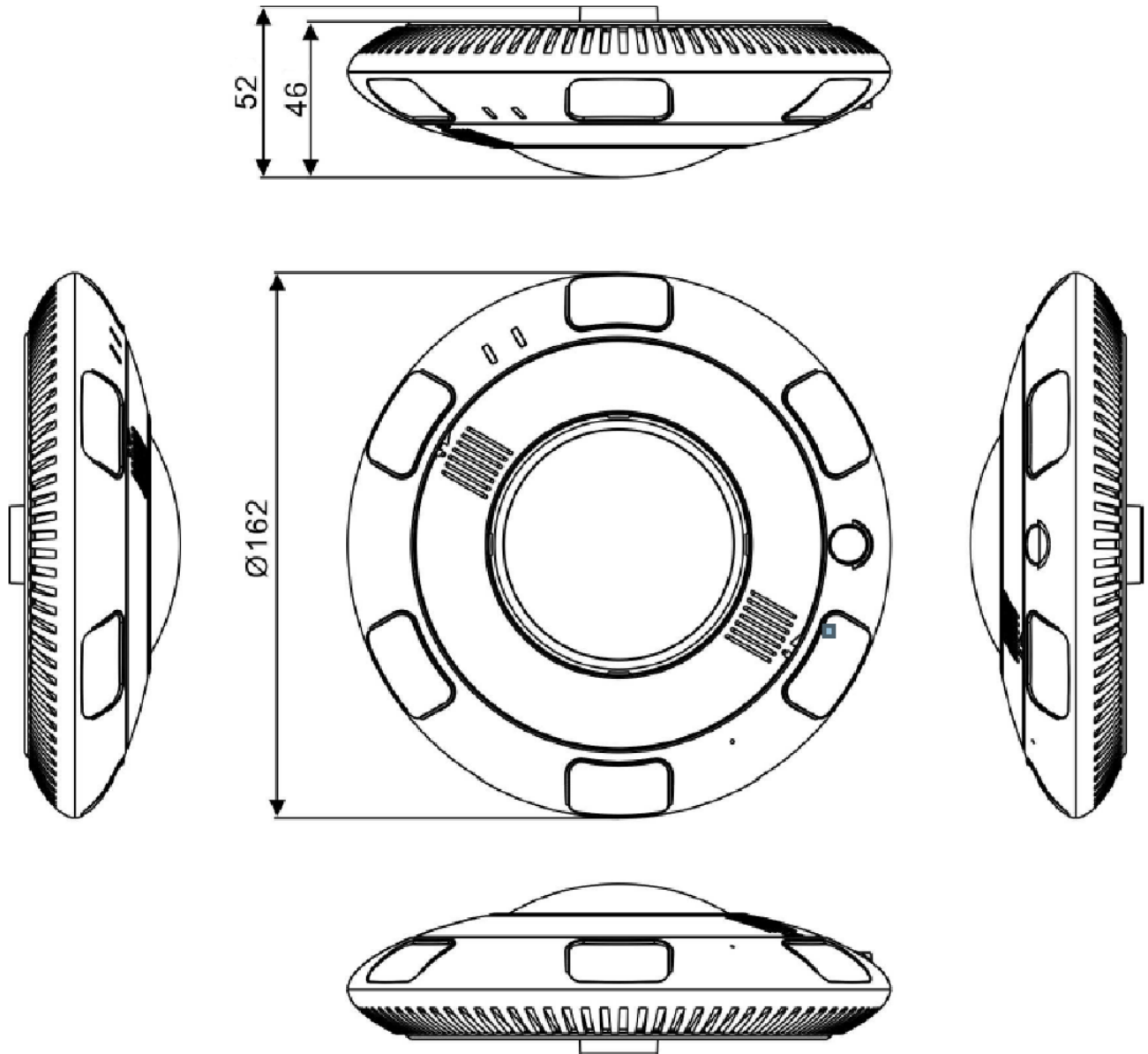
### 1.2. Specification

<b>Image</b>	
Image Sensor	12 MPX CMOS sensor 1/1.7" SONY Exmor R STARVIS
Number of Effective Pixels	4072 (H) x 3046 (V)
Min. Illumination	0.04 lx/F2.4 - color mode, 0 lx (IR on) - B/W mode
Electronic Shutter	auto: 1/5 s ~ 1/20000 s
Digital Slow Shutter (DSS)	up to 1/5 s
Wide Dynamic Range (WDR)	yes
Digital Image Stabilization (DIS)	yes
Digital Noise Reduction (DNR)	2D, 3D
Defog Function (F-DNR)	yes
Highlight Compensation (HLC)	yes
<b>Lens</b>	
Lens Type	fisheye, f=1.8 mm/F2.4
<b>Day/Night</b>	
Switching Type	mechanical IR cut filter
Switching Mode	auto, manual, time
Switching Level Adjustment	yes
Switching Delay	0 ~ 180 s
Switching Schedule	yes
Visible Light Sensor	yes
<b>Network</b>	
Stream Resolution	4000 x 3000, 4096 x 2160, 3840 x 2160 (4K Ultra HD), 3000 x 3000, 2560 x 2560, 1920 x 1080 (Full HD), 1280 x 960, 720 x 720, 704 x 576
Frame Rate	20 fps for 4000 x 3000, 25 fps for 4096 x 2160 and lower resolutions
Multistreaming Mode	2 streams
Video/Audio Compression	H.264, H.265, MJPEG/G.711, RAW_PCM
Number of Simultaneous Connections	max. 8
Bandwidth	30 Mb/s in total
Network Protocols Support	HTTP, TCP/IP, IPv4, UDP, HTTPS, Multicast, FTP, DHCP, DNS, NTP, RTSP, RTP, UPnP, IEEE 802.1X, PPPoE, SMTP, RTCP
ONVIF Protocol Support	Profile S
Camera Configuration	from Internet Explorer browser languages: Polish, English, Russian, and others
Compatible Software	NMS
<b>Other functions</b>	
Privacy Zones	4
Motion Detection	yes
Region of interest (ROI)	8
Image Processing	180° image rotation, mirror effect
Prealarm/Postalarm	up to 5 MB/up to 86400 s
System Reaction to Alarm Events	e-mail with attachment, saving file on FTP server, saving file on SD card, alarm output activation
<b>IR LED</b>	
LED Number	6
Range	10 m
Angle	180°
<b>Interfaces</b>	
Audio Input/Output	1 x RCA/1 x RCA built-in microphone,
Alarm Input/Output	1 (NO/NC)/1
Network Interface	1 x Ethernet - RJ-45 interface, 10/100 Mbit/s
Memory Card Slot	microSD - capacity up to 128GB
<b>Installation parameters</b>	
Dimensions (mm)	162 (Φ) x 52 (H)
Weight	0.7 kg
Degree of Protection	IP 66 (details in the user's manual)
Enclosure	vandalproof IK10 impact rating aluminium, white poly-carbonate bubble
Power Supply	PoE, 12 VDC/24 VAC
Power Consumption	3.7 W, 9.5 W (IR on), 5.7 W (heater on), 11.5 W (IR and heater on)
Operating Temperature	-30°C ~ 60°C
Built-in Heater/Fan	yes/no

## FOREWORD INFORMATION

### 1.3. Camera dimensions

All dimensions are in mm



eng

## FOREWORD INFORMATION

---

---

### 1.4. Package contents

After you open the package make sure that the following elements are inside:

- IP camera
- Accessories bag
- Short version of user's manual

If any of this elements has been damaged during transport, pack all the elements back into the original box and contact your supplier for further assistance.

eng

#### **Caution:**

**If the device was brought from a location with lower temperature, please wait until it reaches the temperature of location it is currently in. Turning the device on immediately after bringing it from a location with lower ambient temperature is forbidden, as the condensing water vapour may cause short-circuits and damage the device as a result.**

**Before starting the device familiarize yourself with the description and the role of particular inputs, outputs and adjusting elements that the device is equipped with.**

#### **Caution:**

**In order to provide protection against voltage surges/lightning strikes, usage of appropriate surge protectors is advised. Any damages resulting from surges are not eligible for service repairs.**

#### **Caution:**

**It is forbidden to use – as the camera power source – PoE equipment (adapters, etc.) not compatible with IEEE 802.3af standard (items called “passive PoE power supply”). Damages that results from the usage of improper power supply source are not covered by the warranty.**

#### **Caution:**

**Camera connectors / sockets are not hermetic. The user should ensure their hermeticity on his own.**

#### **Caution:**

**Please note that the wall or ceiling must have enough strength to support the IP Camera.**

#### **Caution:**

**In order to obtain declared degree of protection please seal the camera base to prevent water getting inside. Furthermore, when installing the camera on rough/uneven surfaces, please additionally seal the junction with appropriate sealing mass. Please pay special attention to any mounting holes and if they are a loop-through ones, seal them too.**

#### **Caution:**

**The declared degree of protection of the camera relates to its housing and does not take into account the possibility of moisture infiltration into the interior of the camera by connecting cables. Connection cables protection through i.e. sealing up is the responsibility of the camera installer. The manufacturer is not liable for any damages to the camera caused as a result of failing in performing that activity by installer, which also means that camera damaged in that way is not subject to warranty repairs.**

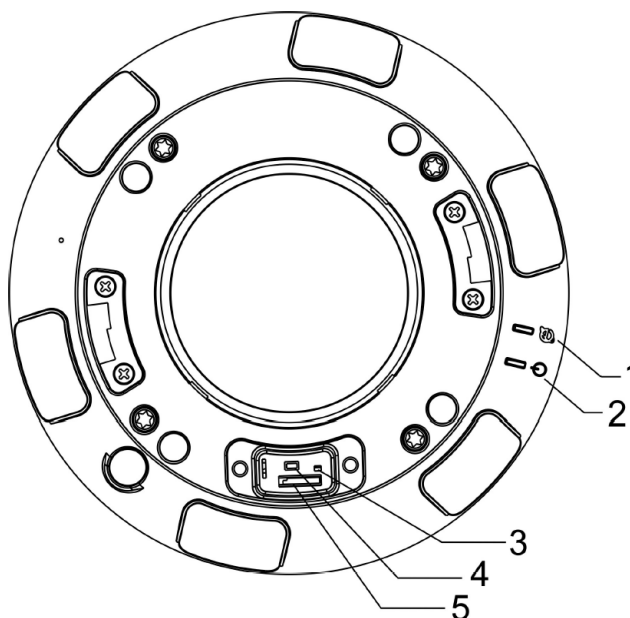


## START-UP AND INITIAL CAMERA CONFIGURATION

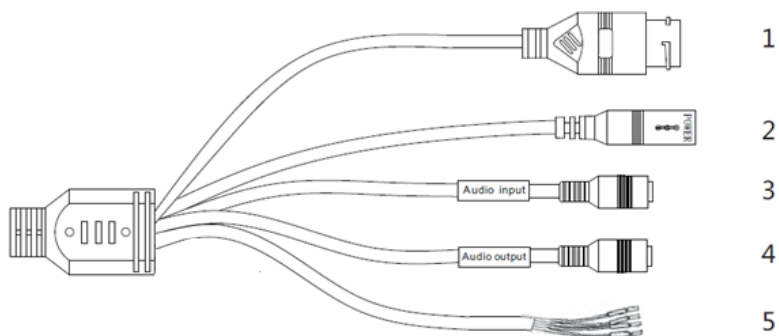
### 2. START-UP AND INITIAL IP CAMERA CONFIGURATION

#### 2.1. Description of connectors and control tools

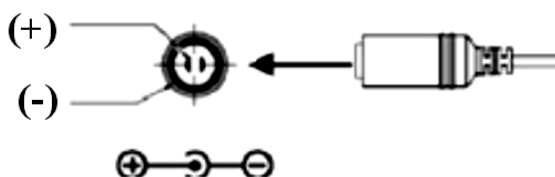
1. Network connection indicator
2. Power connection indicator
3. MicroSD card indicator
4. Rest button
6. MicroSD card slot



1. 100 Mb/s Ethernet port (RJ-45)
2. Power supply 12VDC / 24VAC
3. Audio input (RCA)
4. Audio output (RCA)
5. Alarm IN/OUT
  - Alarm COM0 (orange)
  - Alarm IN0 (yellow)
  - Alarm OUT1 (gray)
  - Alarm COM1 (purple)



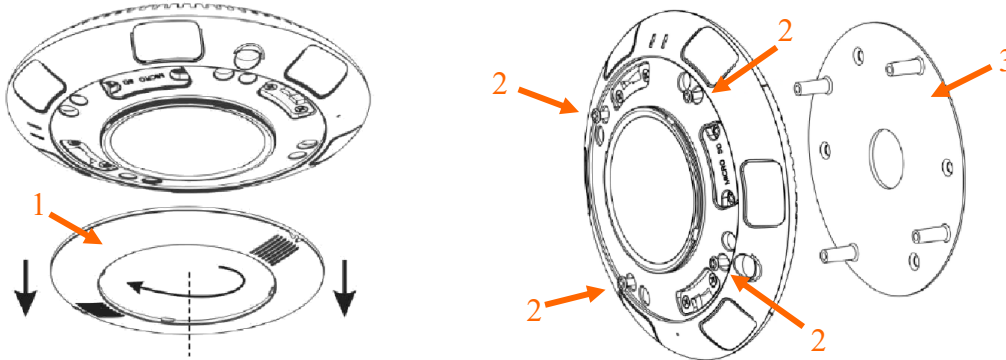
#### SCHEMA OF 12VDC POWER SUPPLY CONNECTOR



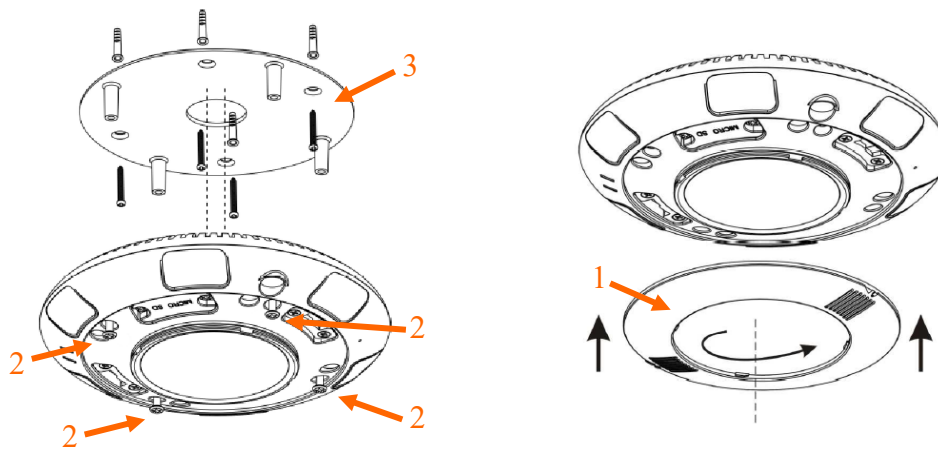
## START-UP AND INITIAL CAMERA CONFIGURATION

### 2.2. Camera mounting

- Rotate and remove the masking element (1).
- Use the L-wrench in the accessory package to unscrew the star screws (2), remove the installation bracket (3).



- Use the included mounting template or the camera base plate to mark holes for mounting screws.
- Drill holes in marked places and optionally make an extra hole for camera cables.



- Mount the installation bracket (3) using included mounting screws.
- Use screws (2) to mount camera to the installation bracket.
- Mount the masking element (1).

**Caution :** Make sure to follow the correct polarity if connecting the camera to DC power. Polarity is marked on the power connector.

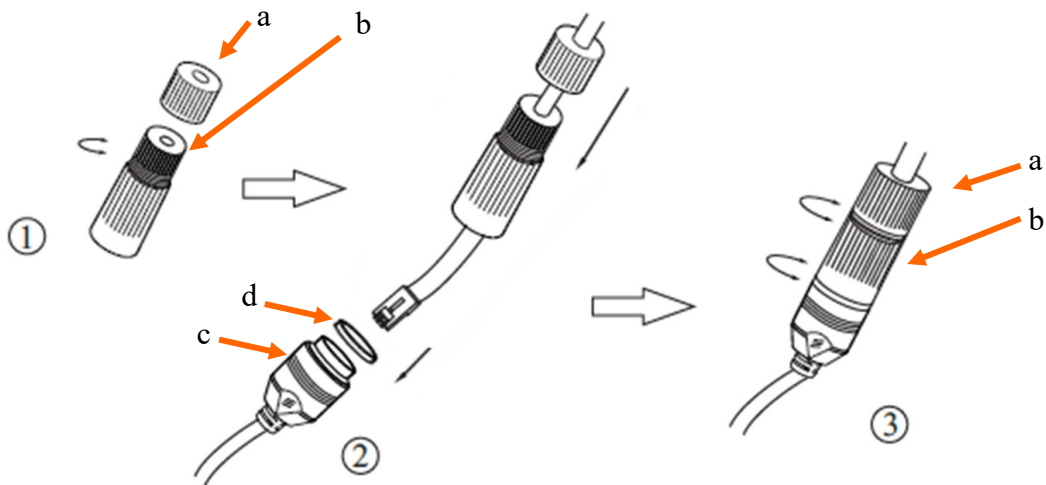
## START-UP AND INITIAL CAMERA CONFIGURATION

---

### 2.3. Connecting Ethernet cable

To maintain tightness of Ethernet cable connection, please follow instruction below:

1. Loosen the nut (a) from the main element (b).
2. Run power cable (without RJ-45 connector) through both elements. Then crimp the cable with RJ-45 connector. Install rubber gasket (d) on the connector (c).
3. Connect the cable to the waterproof connector (c), screw main cover (b), then screw the nut (a).



**Caution:** The other camera connectors are not waterproof. User should seal them by himself.

**Caution:** It is forbidden to use – as the camera power source – PoE equipment (adapters, etc.) not compatible with IEEE 802.3af standard (items called “passive PoE power supply”). Damages that results from the usage of improper power supply source are not covered by the warranty.

## START-UP AND INITIAL CAMERA CONFIGURATION

### 2.4. Starting the IP camera

To run NOVUS IP camera you have to connect ethernet cable between camera and network switch with PoE support (IEEE 802.3af).

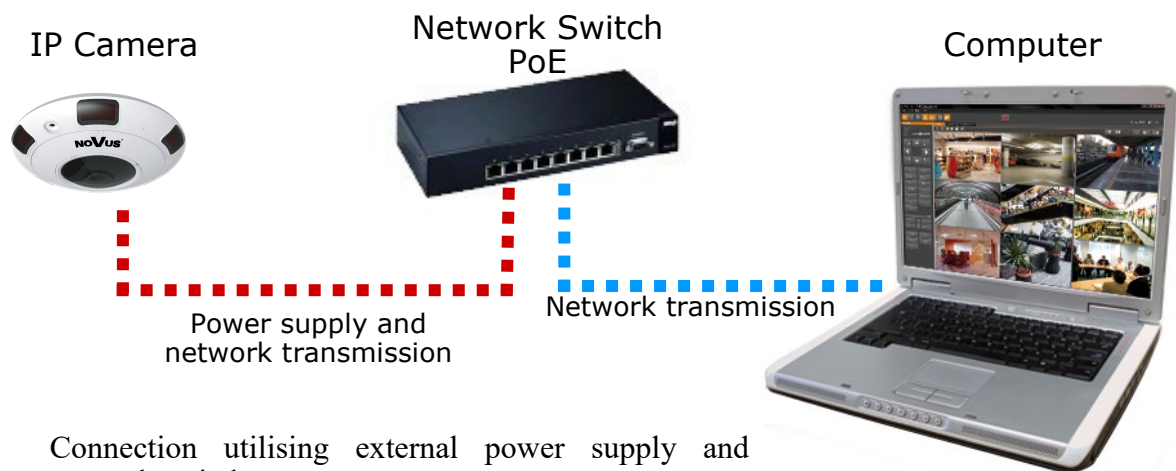
You can also connect it directly via power supply adapter with parameters compatible with camera power supply specification.

After connecting power status red LED should light on. Initialization process is then started which can take about 2 minutes. You can then proceed to connect to the camera via web browser.

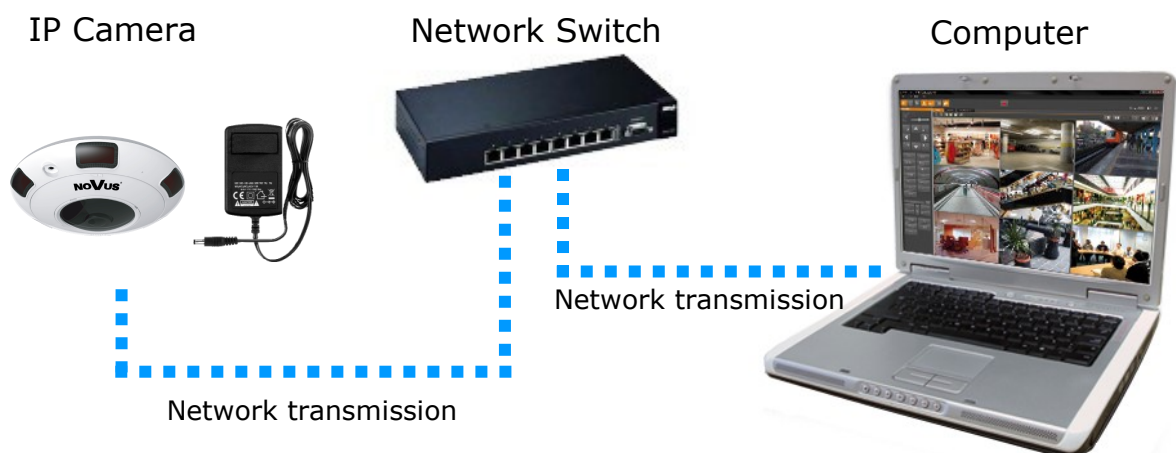
If the connection is successfully established green network status LED blinks with a frequency proportional to the quantity of data sent.

The recommended way to start an IP camera and perform its configuration is a connection directly to the network switch which is not connected to other devices. To obtain further information about network configuration parameters (IP address, gateway, network mask, etc.) please contact your network administrator.

- Connection utilising network switch with PoE support

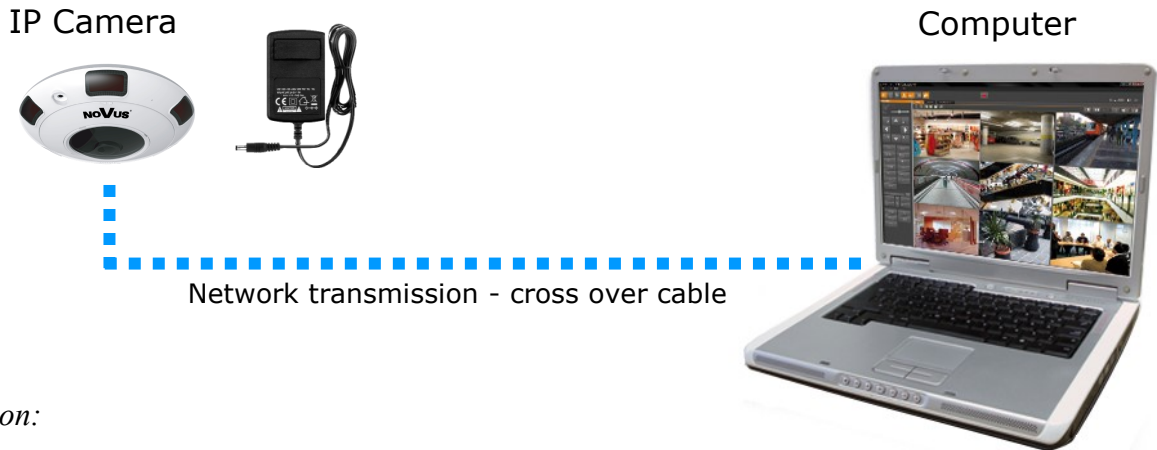


- Connection utilising external power supply and network switch



## START-UP AND INITIAL CAMERA CONFIGURATION

- Connection utilising external power supply directly to the computer



### Information:

Power supply adapter is not included. Please use power adapter with parameters specified in user's manual.

### Caution:

**In order to provide protection against voltage surges/lightning strikes, usage of appropriate surge protectors is advised. Any damages resulting from surges are not eligible for service repairs.**

### 2.5. Initial configuration via the web browser

The default network settings for NVIP-12F-8001 camera are :

1. IP address= **192.168.1.200**
2. Network mask - **255.255.255.0**
3. Gateway - **192.168.1.1**
4. User name - **root**
5. Password - **pass**

Knowing the camera's IP address you need to appropriately set PC IP address, so the two devices can operate in one network subnet ( e.g. for IP 192.168.1.1, appropriate address for the camera ranges from 192.168.1.2 to 192.168.1.254, for example 192.168.1.60). It is not allowed to set the same addresses for camera and PC computer

You can either set a network configuration (IP address, gateway, net mask, etc.) of NOVUS IP camera yourself or select DHCP mode (DHCP server is required in this method in target network) by using web browser or by NMS software. When you use DHCP server check IP address lease and its linking with camera MAC address to avoid changing or losing IP address during device operation or network/DHCP server breakdown. You have to remember to use a new camera IP address after changing network parameters.

After network setting configuration has been done, the camera can be connected to a target network.

## START-UP AND INITIAL CAMERA CONFIGURATION

---

---

### 2.6. Security recommendations for network architecture and configuration

#### **WARNING!**

**Below are shown security recommendations for network architecture and configuration of CCTV systems that are connected to the Internet to reduce the risk of unauthorized interference with the system by a third party.**

1. Absolutely change the default passwords and user names (if the device gives this possibility) of all applied network devices (recorders, cameras, routers, network switches, etc.) to the severely complexity password. Use lowercase and uppercase letters, numbers, and special characters if there is such possibility.
2. Depending on the available functionality in the order to restrict access to the used network devices at the administrator account level, it is recommended to configure the users accounts accordingly.
3. Do not use DMZ function (Demilitarized zone) in your router. Using that function you open the access to recorder system from the Internet on all ports, which gives possibility for an unauthorized interference with the system.

Instead of DMZ use port forwarding redirect only the ports which are necessary for the performance of the connection (detailed information about ports of communication in different models of recorders, cameras, etc. can be found in the operating instructions).

4. Use routers with firewall function and make sure it is enabled and properly configured.
5. It is recommended to change the default network communication port numbers of used devices if there is such possibility.
6. If used network devices has a UPnP feature and it is not used, turn it off.
7. If used network devices has a P2P feature and it is not used, turn it off.
8. If used network devices support HTTPS protocol for connection, it is recommended to use it.
9. If used network devices support IP filtering for authorized connections function, it is recommended to use it.
10. If used recorder has two network interfaces it is recommended to use both of them to physically separate network for cameras and network for Internet connection. The only device in the system, accessible from Internet will be recorder - there will be no physically access directly to any camera.

## NETWORK CONNECTION UTILIZING WEB BROWSER

---

---

### 3. NETWORK CONNECTION VIA WEB BROWSER

#### 3.1. Recommended PC specification for web browser connections

Requirements below apply to connection with an IP camera, assuming image display in 4000 x 3000 resolution and 20 fps speed.

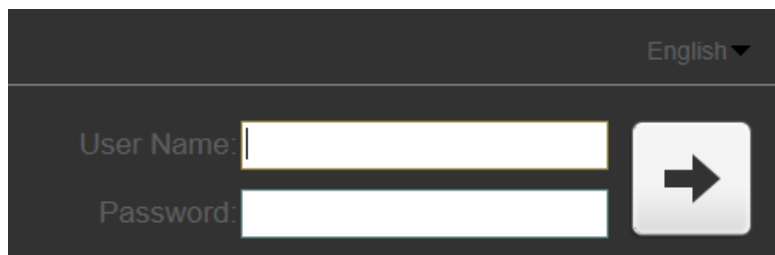
1. CPU **Intel i5 3 GHz** or faster
2. **RAM Memory min. 4 GB**
3. VGA card (any displaying **Nvidia GeForce 512MB Ram** memory)
4. OS **Windows 7 / 8 / 10**
5. Network card **100/1000 Mb/s**

#### 3.2. Connection with IP camera via web browser

##### Caution:

**To maintain correct operation as snapshot or video recording you must enable the browser as an administrator, also to maintain correct operation as playback from the microSD card you must add IP camera address to Compatibility View in browser settings.**

You have to enter camera IP address in the web browser address bar. If IP address is correct user login window will be displayed:



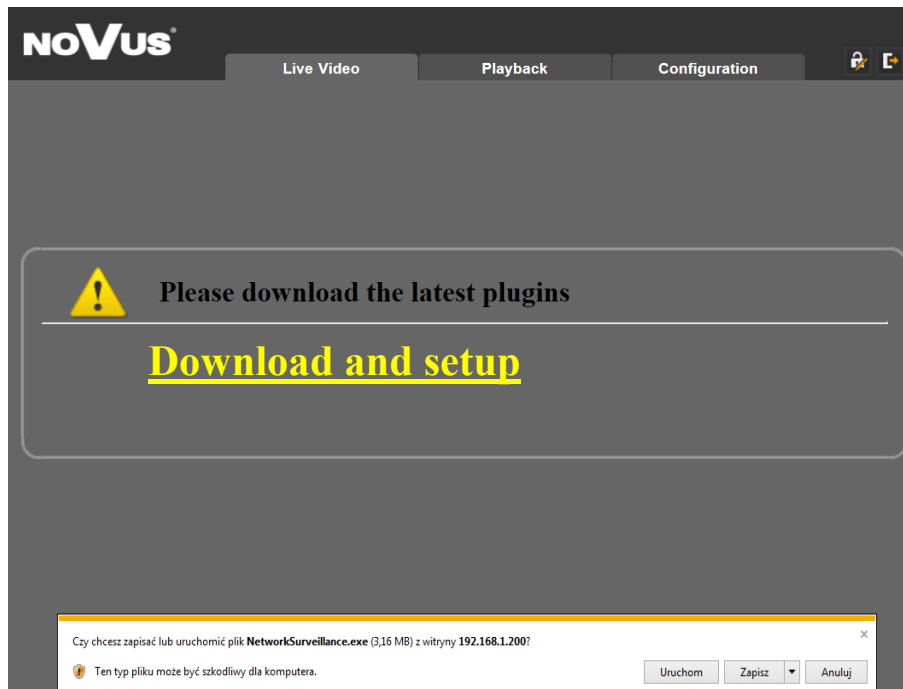
Default user is **root** and default password is **pass**.

In the *Language* box you can change the display language. The default language is English.

For safety reasons, it is recommended to change default user name and password.

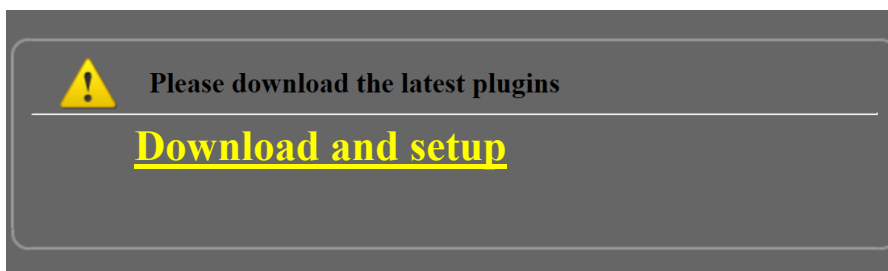
## NETWORK CONNECTION VIA WEB BROWSER

If you're first time running the camera, you will see screen as below.



To correctly camera working, you need a plugin, you have to download and install it as below.

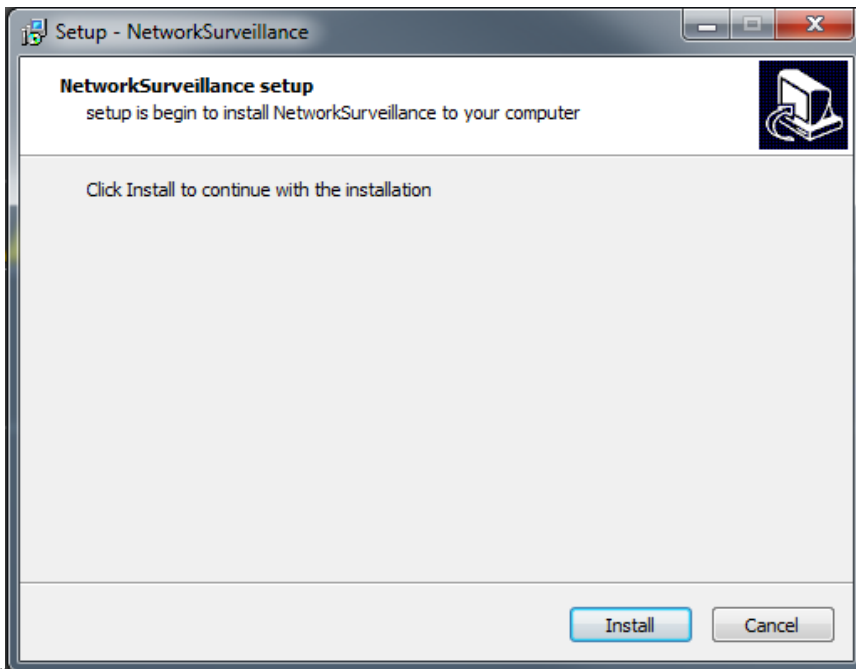
- Click *Download and setup* and follow the prompts.



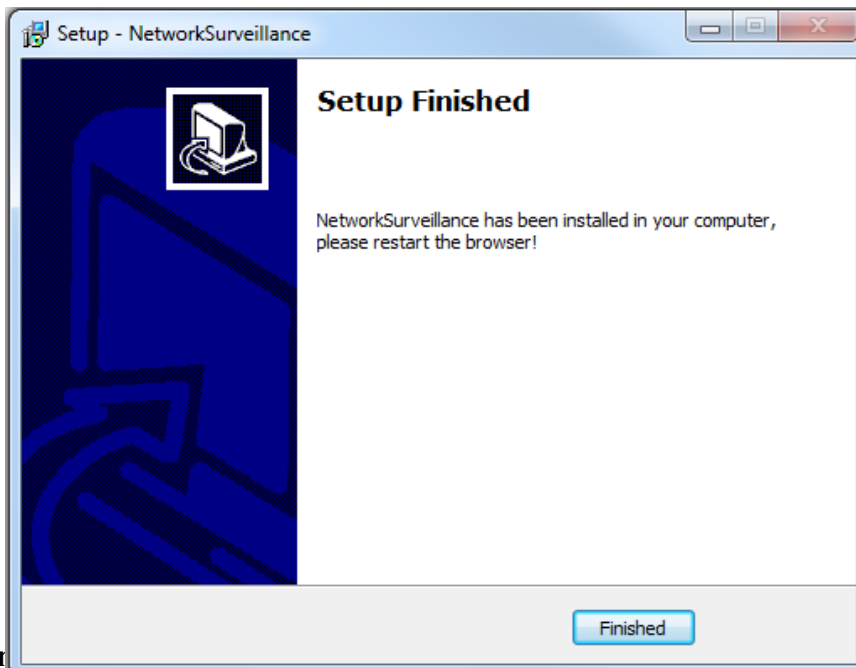


## NETWORK CONNECTION VIA WEB BROWSER

- Click *Install* button



- After installation, click *Finished* button



**Caution:** In case of Windows Defender or User account control. In such case you should allow to run this applet, or simply disable these functions.

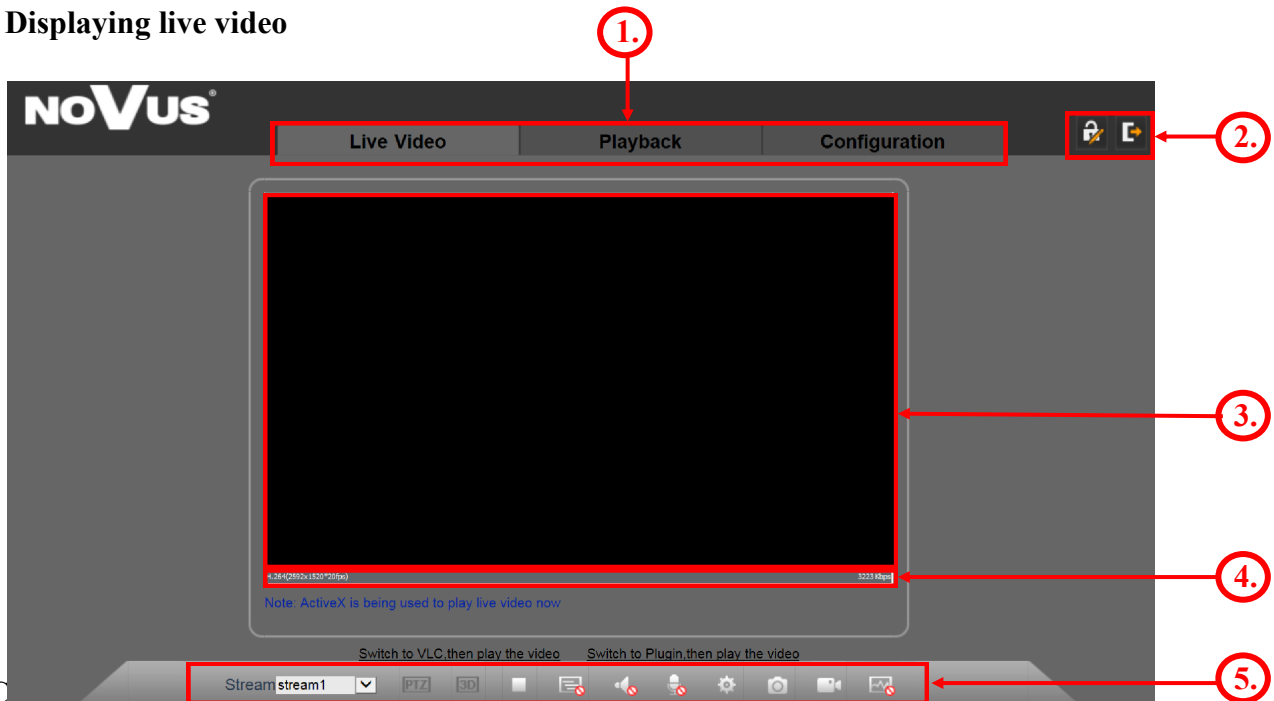
**Caution:** If the installation fails, changing security settings for the IE browser is required. In order to do that, please choose: *Tools > Internet options > Security tab > Custom level* and:

- Under *Download unsigned ActiveX controls* - select either Enable or Prompt
- Under *Initialize and script ActiveX controls not marked as safe* - select Enable or Prompt

## WWW INTERFACE - WORKING WITH IP CAMERA

### 4. WWW INTERFACE - WORKING WITH IP CAMERA

#### 4.1. Displaying live video



1. C

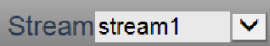








- *Live Video* - opens the camera live video
- *Playback* - opens the camera playback - to maintain correct operation you must add IP camera address to Compatibility View in browser settings (look at 4.2 chapter)
- *Configuration* - opens the camera configuration menu

2. *Change Password* and *Sign out* buttons - are used to change the password and log off the current user.

3. Live video preview  

4. Stream information

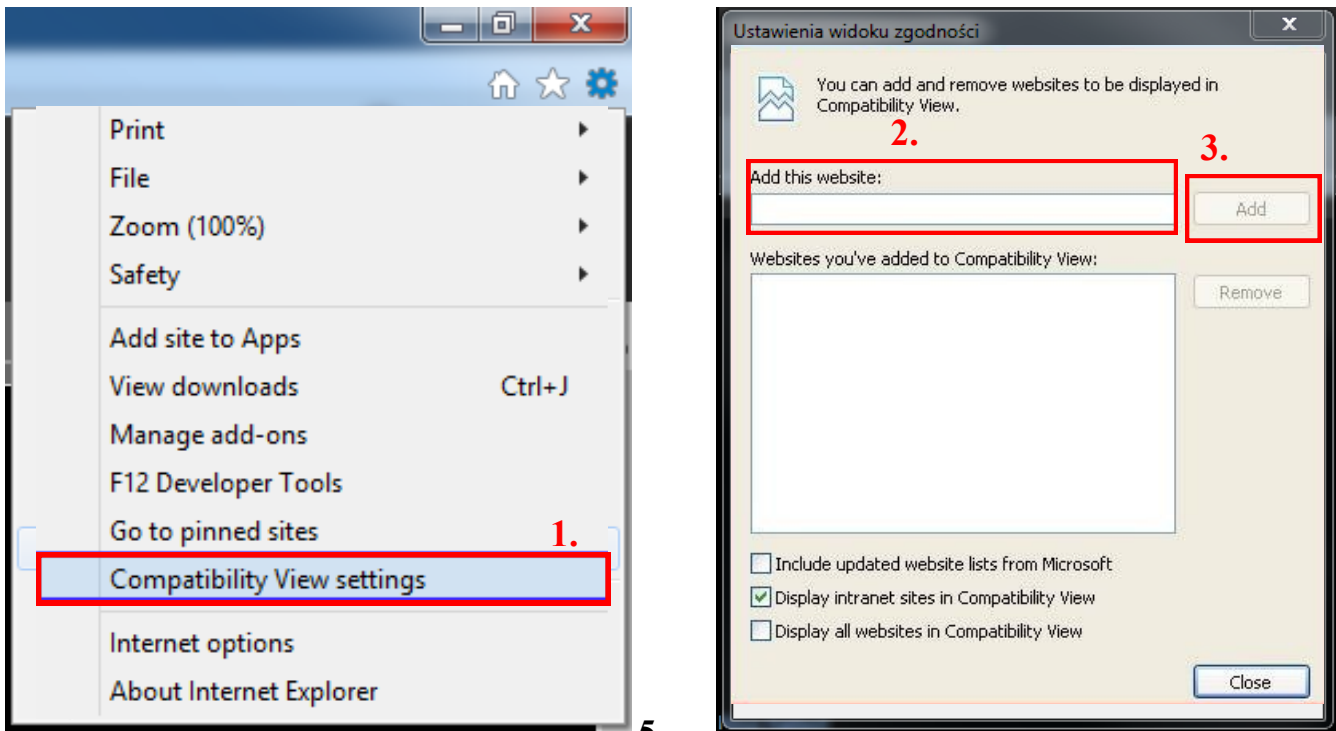
5. Live video menu

- Selection of stream preview
-  *PTZ button* - turn on PTZ window
-  Selection of additional camera configuration - option not available
-  *Video button*- turn-on/off camera preview output
-  *Live / Smooth Button*- turn-on smooth preview option
-  *Audio button*- turn-on/off audio output
-  *Interphone button*- turn-on/off audio input and output
-  *Sensor button*- turn-on sensor configuration menu
-  *Snapshot button*- make a preview snapshot
-  Selection of additional camera configuration - option not available

## ELECTRIC CONNECTORS AND ACCESORIES

### 4.2 Adding a site to the Compatibility View list

1. Open Internet Explorer, select the *Tools* button and then select *Compatibility View settings* (1).
2. Under *Add this website*, enter the URL of the site you want to add to the list (2), and then select *Add* (3).

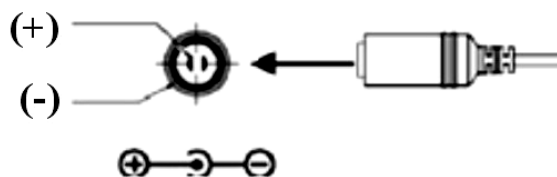


## ELECTRIC CONNECTORS AND ACCESORIES

### 5.1. Connecting power supply to the camera.

The camera can be supplied only by power supply with parameters compatible with camera specification to power camera via power in jack.

*SCHEMA OF 12VDC POWER SUPPLY CONNECTOR*



**Caution :** Make sure to follow the correct polarity if connecting the camera to DC power. Polarity is marked on the power connector.

**Caution:** In order to provide protection against voltage surges/lightning strikes, usage of appropriate surge protectors is advised. Any damages resulting from surges are not eligible for service repairs.

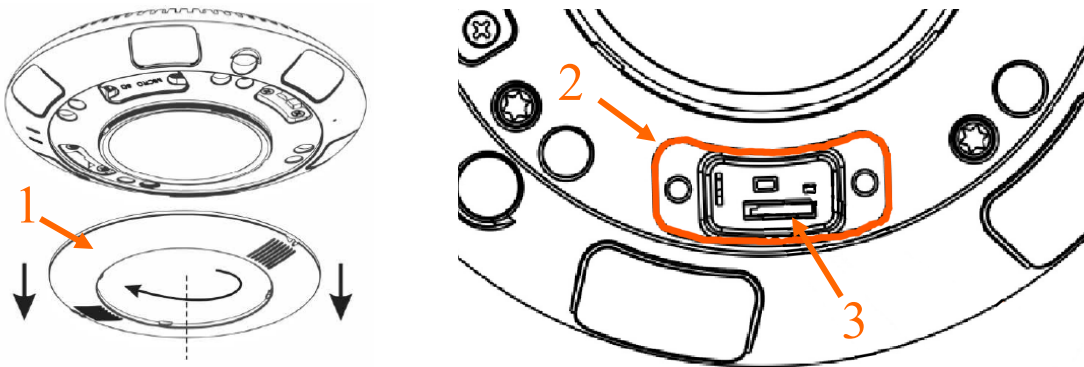
**Caution:** It is forbidden to use – as the camera power source – PoE equipment (adapters, etc.) not compatible with IEEE 802.3af standard (items called “passive PoE power supply”). Damages that results from the usage of improper power supply source are not covered by the warranty.

## ELECTRIC CONNECTORS AND ACCESORIES

### 5.2. SD card installation

Camera supports micro SD, cards with their capacity up to 128GB. In order to install the card properly, please follow the instructions below:

- Turn the camera off.
- Rotate and remove the masking element (1).
- Unscrew two locking screws and remove service panel (2).
- Mount microSD card in the socket (3), according to the picture:



- Mount service

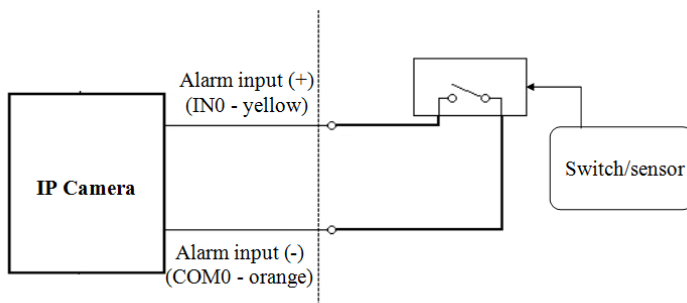
panel (2) and two locking screws. Mount the masking element (1).

- Turn the camera on.
- Check the SD card by checking it in the *Device Record* -> *Record Directory* tab.

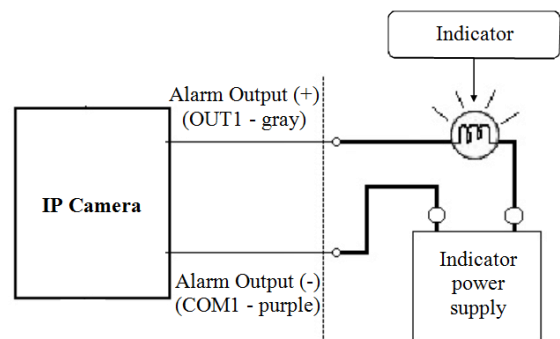
### 5.3. Connecting alarm inputs/outputs.

Description of connectors is in chapter 2.1.

#### Typical Alarm Input connection



#### Typical Alarm Output connection



## RESTORING FACTORY DEFAULTS

### 6. RESTORING FACTORY DEFAULTS

NOVUS IP cameras allow to restore defaults via:

- software (web browser level) resetting the camera settings
- hardware (using reset) restores factory defaults.

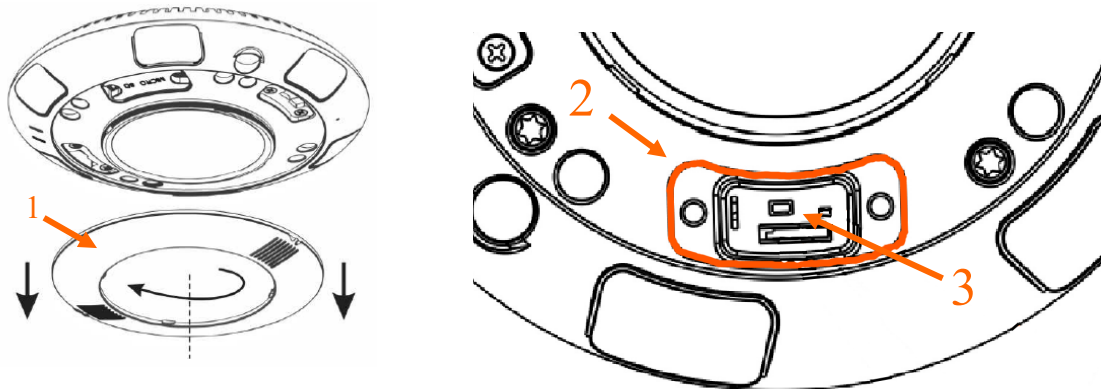
#### 6.1. Restoring software factory defaults

Factory software default restores default settings of the IP camera except network settings. The camera re-starts then, taking about one minute to complete. Option to restore the factory default is described in *Maintenance* tab.

#### 6.2. Restoring hardware factory defaults in IP cameras

In order to restore factory defaults for the camera please follow the instructions:

- Rotate and remove the masking element (1).
- Unscrew two locking screws and remove service panel (2).
- Press the *RESET* button and hold on for 10 seconds. Non metal, thin object (e.g. match) is recommended for pushing it.
- Release button.
- Log on after approx. 1 minute using default IP address (<http://192.168.1.200>) and default user name (root) and password (pass).



- Mount service panel and screw 2 locking screws.
- Mount the masking element (1).
- Log on after approx. 2 minutes using default IP address (<http://192.168.1.200>) and default user name (root) and password (pass).

**noVus<sup>®</sup>**

AAT Holding S.A., 431 Pulawska St., 02-801 Warsaw, Poland  
tel.: +4822 546 07 00, fax: +4822 546 07 59  
[www.novuscctv.com](http://www.novuscctv.com)

2019-02-25 MO, MM

# Instrukcja obsługi (skrótowa)

pl



NVIP-12F-8001

**NOVUS**<sup>®</sup>

## UWAGI I OSTRZEŻENIA

---

---

### Dyrektywy EMC (2014/30/EU) i LVD (2014/35/EU)

#### Oznakowanie CE



Nasze produkty spełniają wymagania zawarte w dyrektywach oraz przepisach krajowych wprowadzających dyrektywy:

Kompatybilność elektromagnetyczna EMC 2014/30/EU.

Niskonapięciowa LVD 2014/35/EU. Dyrektywa ma zastosowanie do sprzętu elektrycznego przeznaczonego do użytkowania przy napięciu nominalnym od 50VAC do 1000VAC oraz od 75VDC do 1500VDC.

#### Dyrektywa WEEE 2012/19/UE

#### Informacja dla użytkowników o pozbywaniu się urządzeń elektrycznych i elektronicznych



Niniejszy produkt został oznakowany zgodnie z Dyrektywą WEEE (2012/19/UE) oraz późniejszymi zmianami, dotyczącą zużytego sprzętu elektrycznego i elektronicznego. Zapewniając prawidłowe złomowanie przyczyniają się Państwo do ograniczenia ryzyka wystąpienia negatywnego wpływu produktu na środowisko i zdrowie ludzi, które mogłoby zaistnieć w przypadku niewłaściwej utylizacji urządzenia.

Symbol umieszczony na produkcie lub dołączonych do niego dokumentach oznacza, że nasz produkt nie jest klasyfikowany jako odpad z gospodarstwa domowego. Urządzenie należy oddać do odpowiedniego punktu utylizacji odpadów w celu recyklingu. Aby uzyskać dodatkowe informacje dotyczące recyklingu niniejszego produktu należy skontaktować się z przedstawicielem władz lokalnych, dostawcą usług utylizacji odpadów lub sklepem, gdzie nabyto produkt.

#### Dyrektywa RoHS 2011/65/UE

#### Informacja dla użytkowników dotycząca ograniczenia użycia substancji niebezpiecznych w sprzęcie elektrycznym elektronicznym.

W trosce o ochronę zdrowia ludzi oraz przyjazne środowisko zapewniamy, że nasze produkty podlegające przepisom dyrektywy RoHS, dotyczącej użycia substancji niebezpiecznych w sprzęcie elektrycznym i elektronicznym, zostały zaprojektowane i wyprodukowane zgodnie z wymaganiami tej dyrektywy. Jednocześnie zapewniamy, że nasze produkty zostały przetestowane i nie zawierają substancji niebezpiecznych w ilościach mogących niekorzystnie wpływać na zdrowie człowieka lub środowisko naturalne.



#### Informacja

Urządzenie, jako element profesjonalnego systemu telewizji dozorowej służącego do nadzoru i kontroli, nie jest przeznaczone do samodzielnego montażu w gospodarstwach domowych przez osoby nie posiadające specjalistycznej wiedzy.

#### Wyłączenie odpowiedzialności w przypadku uszkodzenia danych zawartych na dysku lub innych urządzeniach:

Producent nie ponosi odpowiedzialności w razie uszkodzenia lub utraty w trakcie eksploatacji Produktu danych zawartych na dyskach lub innych urządzeniach.

#### Obowiązek konsultowania się z Producentem przed wykonaniem czynności nieprzewidzianej instrukcją obsługi albo innymi dokumentami:

Przed wykonaniem czynności, która nie jest przewidziana dla danego Produktu w instrukcji obsługi, innych dokumentach dołączonych do Produktu lub nie wynika ze zwykłego przeznaczenia Produktu, należy, pod rygorem wyłączenia odpowiedzialności Producenta za następstwa takiej czynności, skontaktować się z Producentem.





## WARUNKI BEZPIECZEŃSTWA

---

---

### **UWAGA!**

ZNAJOMOŚĆ NINIEJSZEJ INSTRUKCJI JEST NIEZBĘDNYM WARUNKIEM PRAWIDŁOWEJ EKSPLOATACJI URZĄDZENIA. PROSIMY O ZAPOZNANIE SIĘ Z NIM PRZED PRZYSTĄPIENIEM DO INSTALACJI I OBSŁUGI URZĄDZENIA.

### **UWAGA!**

NIE WOLNO DOKONYWAĆ ŻADNYCH SAMODZIELNYCH NAPRAW. WSZYSTKIE NAPRAWY MOGĄ BYĆ REALIZOWANE JEDYNIEM PRZEZ WYKWALIFIKOWANYCH PRACOWNIKÓW SERWISU.

1. Przed zainstalowaniem i rozpoczęciem eksploatacji należy dokładnie zapoznać się z niniejszą instrukcją obsługi i zawartymi w niej wymogami bezpieczeństwa;
2. Uprasza się o zachowanie instrukcji na czas eksploatacji kamery na wypadek konieczności odniesienia się do zawartych w niej treści;
3. Należy skrupulatnie przestrzegać wymogów bezpieczeństwa opisanych w instrukcji, gdyż mają one bezpośredni wpływ na bezpieczeństwo użytkowników i trwałość oraz niezawodność urządzenia;
4. Wszystkie czynności wykonywane przez instalatorów i użytkowników muszą być realizowane zgodnie z opisem zawartym w instrukcji;
5. W czasie czynności konserwatorskich urządzenie musi być odłączone od zasilania;
6. Nie wolno stosować żadnych dodatkowych urządzeń lub podzespołów nie przewidzianych i nie zalecanych przez producenta;
7. Nie wolno używać kamery w środowisku o dużej wilgotności (np. w pobliżu basenów, wani, w wilgotnych piwnicach);
8. Nie należy instalować tego urządzenia w miejscu, gdzie nie można zapewnić właściwej wentylacji (np. zamknięte szafki, itp.), co powoduje zatrzymanie się ciepła i w konsekwencji może doprowadzić do uszkodzenia;
9. Nie wolno umieszczać kamery na niestabilnych powierzchniach. Kamera musi być instalowana przez wykwalifikowany personel o odpowiednich uprawnieniach według zaleceń podanych w niniejszej instrukcji;
10. Urządzenie może być zasilane jedynie ze źródeł o parametrach zgodnych ze wskazanymi przez producenta w danych technicznych urządzenia. Dlatego też, zabrania się zasilania kamery ze źródeł o nieznanym, niestabilnym lub niezgodnym z wymaganiami określonymi przez producenta parametrach

### **UWAGA!**

Ponieważ produkt jest stale ulepszany i optymalizowany niektóre parametry i funkcje opisane w załączonej instrukcji mogły ulec zmianie. Prosimy o zapoznanie się z najnowszą instrukcją obsługi znajdującą się na stronie [www.novuscctv.com](http://www.novuscctv.com).

Producent, firma AAT Holding S.A. zastrzega sobie możliwość wystąpienia błędów w druku oraz zmian parametrów technicznych bez uprzedniego powiadomienia.

## SPIS TREŚCI

<b>SPIS TREŚCI</b> .....	4
<b>1. INFORMACJE WSTĘPNE</b> .....	5
1.1. Charakterystyka ogólna.....	5
1.2. Dane techniczne.....	6
1.3. Wymiary kamery.....	7
1.4. Zawartość opakowania.....	8
<b>2. URUCHAMIANIE I WSTĘPNA KONFIGURACJA KAMERY IP</b> .....	9
2.1. Opis złączy elektrycznych oraz elementów regulacyjnych.....	9
2.2. Montaż kamery.....	10
2.3. Podłączenie kabla sieciowego.....	11
2.4. Uruchomienie kamery IP.....	12
2.5. Konfiguracja parametrów przy użyciu przeglądarki internetowej.....	13
2.6. Zalecenia dotyczące bezpieczeństwa sieci.....	14
<b>3. POŁĄCZENIA SIECIOWE ZA POMOCĄ PRZEGLĄDARKI WWW</b> .....	15
3.1. Zalecana konfiguracja komputera PC do połączeń przez przeglądarkę WWW.....	15
3.2. Połączenie sieciowe z kamerą IP za pomocą przeglądarki WWW.....	15
<b>4. INTERFEJS WWW - PRACA Z KAMERA</b> .....	18
4.1. Wyświetlanie obrazu na żywo.....	18
4.2. Dodawanie adresu kamery do ustawień widoku zgodności przeglądarki.....	19
<b>5. POŁĄCZENIA ELEKTRYCZNE I ZŁĄCZA AKCESORIÓW</b> .....	19
5.1. Podłączenie zasilania kamery.....	19
5.2. Instalacja karty SD.....	20
5.3. Opis podłączenia wejść i wyjść alarmowych.....	20
<b>6. PRZYWRACANIE USTAWIEŃ FABRYCZNYCH KAMERY</b> .....	21
6.1. Programowe przywracanie ustawień fabrycznych kamery IP.....	21
6.2. Przywracanie ustawień fabrycznych kamery IP (sprzętowe).....	21

## INFORMACJE WSTĘPNE

---

---

### 1. INFORMACJE WSTĘPNE

#### 1.1. Charakterystyka ogólna

- Rozdzielczość przetwornika: 12.0 megapikseli
- Mechaniczny filtr podczerwieni
- Możliwość pracy w podczerwieni
- Czułość od 0.04 lx/F=2.4
- Szeroki zakres dynamiki (WDR)
- Wydłużony czas ekspozycji (DSS)
- Cyfrowa redukcja szumu (DNR)
- Funkcja Defog (F-DNR)
- Cyfrowa stabilizacja obrazu (DIS)
- Redukcja efektu oślepienia kamery (HLC)
- Typ obiektywu: rybie oko, f=1.8mm, F=2.4
- Wbudowany oświetlacz podczerwieni, 6 diod LED
- 1 wejście i 1 wyjście alarmowe
- Kompresja H.264, H.265, M-JPEG
- Maksymalna rozdzielczość przetwarzania wideo:4000x3000
- Praca w trybie wielostrumieniowym - możliwość definiowania kompresji, rozdzielczości, prędkości i jakości
- Przesyłanie wideo w standardzie RTP/RTSP
- Wbudowany mikrofon
- Funkcje przed-alarmu i po-alarmu
- Wbudowany web serwer – możliwość podglądu i konfiguracji ustawień kamery przez stronę www
- Obsługa kart microSD o pojemności do 128 GB
- Możliwość szerokiego definiowania reakcji systemu na zdarzenia alarmowe: e-mail z załącznikiem, wyzwolenie wyjścia alarmowego, zapis pliku na kartę microSD, zapis na FTP
- Obsługa protokołów: HTTP, TCP/IP, IPv4, UDP, HTTPS, Multicast, FTP, DHCP, DNS, NTP, RTSP, RTP, UPnP, IEEE 802.1X, PPPoE, SMTP, RTCP
- Oprogramowanie: NMS (NOVUS MANAGEMENT SYSTEM) - do rejestracji wideo, podglądu „na żywo”, odtwarzania oraz zdalnej konfiguracji urządzeń wideo IP
- Obudowa wandaloodporna ze stopniem ochrony IK10
- Wbudowana grzałka
- Zasilanie 12VDC/24VAC oraz PoE (Power over Ethernet)

## INFORMACJE WSTĘPNE

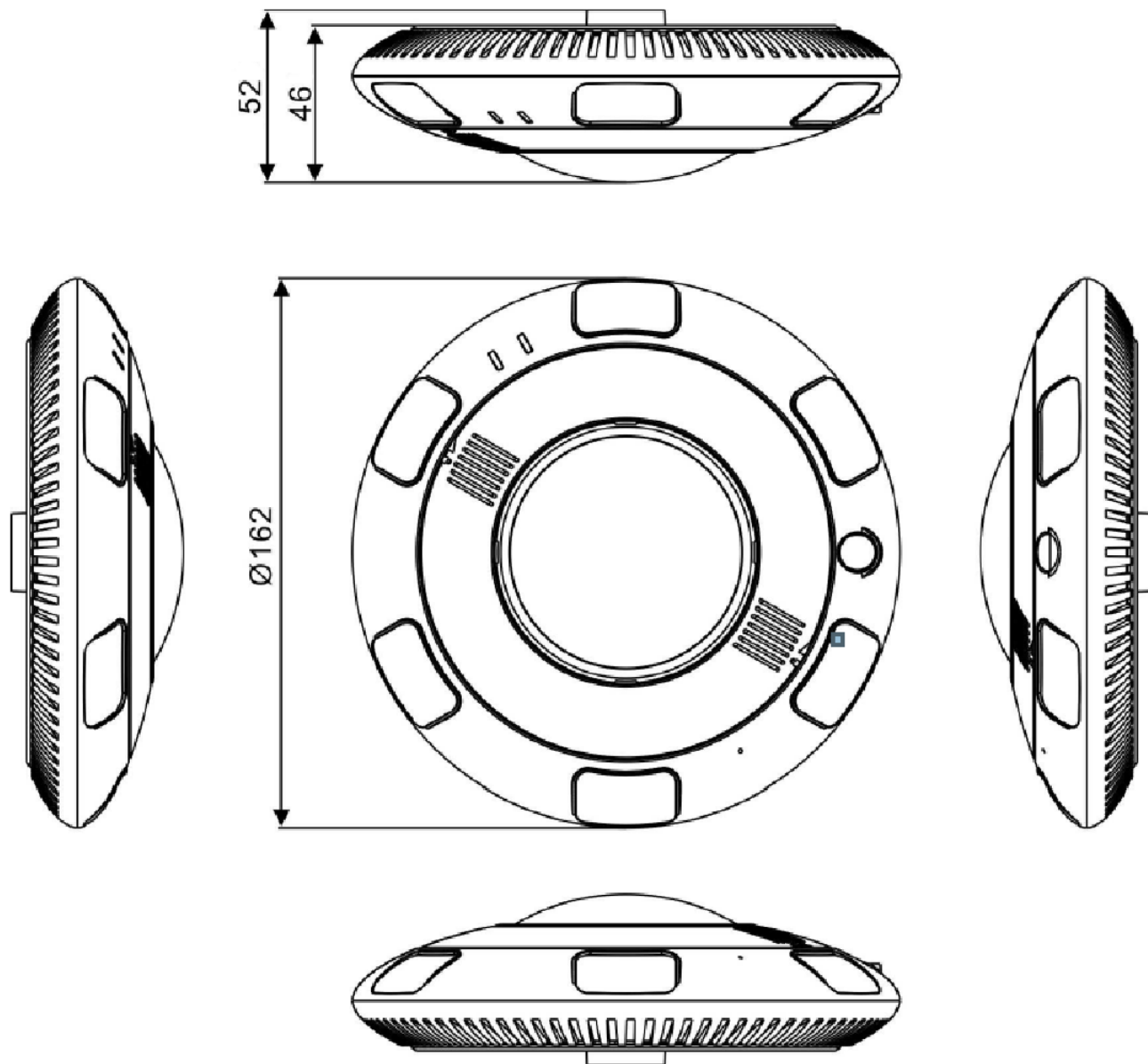
### 1.2. Dane techniczne

<b>Obraz</b>	
Przetwornik obrazu	12 MPX, matryca CMOS, 1/1.7", SONY Exmor R STARVIS
Liczba efektywnych pikseli	4072 (H) x 3046 (V)
Czułość	0.04 lx/F2.4 - tryb kolorowy, 0 lx (IR wł.) - tryb czarno-biały
Elektroniczna migawka	automatyczna: 1/5 s ~ 1/20000 s
Wydłużona migawka (DSS)	do 1/5 s
Szeroki zakres dynamiki (WDR)	tak
Cyfrowa stabilizacja obrazu (DIS)	tak
Cyfrowa redukcja szumu (DNR)	2D, 3D
Funkcja Defog (F-DNR)	tak
Redukcja efektu oślepienia kamery (HLC)	tak
<b>Obiektyw</b>	
Typ obiektywu	„rybie oko”, f=1.8 mm/F2.4
<b>Dzień/noc</b>	
Rodzaj przełączania	mechaniczny filtr podczerwieni
Tryb przełączania	automatyczny, manualny, czasowy
Regulacja poziomu przełączania	tak
Opóźnienie przełączania	0 ~ 180 s
Harmonogram przełączania	tak
Czujnik światła widzialnego	tak
<b>Sieć</b>	
Rozdzielczość strumienia wideo	4000 x 3000, 4096 x 2160, 3840 x 2160 (4K Ultra HD), 3000 x 3000, 2560 x 2560, 1920 x 1080 (Full HD), 1280 x 960, 720 x 720, 704 x 576
Prędkość przetwarzania	20 kl/s dla 4000 x 3000, 25 kl/s dla 4096 x 2160 i niższych rozdzielczości
Tryb wielostrumieniowy	2 strumienie
Kompresja wideo/audio	H.264, H.265, MJPEG/G.711, RAW_PCM
Liczba jednoczesnych połączeń	maks. 8
Przepustowość	łącznie 30 Mb/s
Obsługiwane protokoły sieciowe	HTTP, TCP/IP, IPv4, UDP, HTTPS, Multicast, FTP, DHCP, DNS, NTP, RTSP, RTP, UPnP, IEEE 802.1X, PPPoE, SMTP, RTCP
Wsparcie protokołu ONVIF	Profile S
Konfiguracja kamery	z poziomu przeglądarki Internet Explorer języki: polski, angielski, rosyjski, i inne
Kompatybilne oprogramowanie	NMS
<b>Pozostałe funkcje</b>	
Strefy prywatności	4
Detekcja ruchu	tak
Obszar obserwacji (ROI)	8
Obróbka obrazu	obrót obrazu o 180°, odbicie lustrzane
Prealarm/postalarm	do 5 MB/do 86400 s
Reakcja na zdarzenia alarmowe	e-mail z załącznikiem, zapis na FTP, zapis na kartę SD, aktywacja wyjścia alarmowego
<b>Oświetlacz IR</b>	
Liczba LED	6
Zasięg	10 m
Kąt świecenia	180°
<b>Interfejsy</b>	
Wejścia/wyjścia audio	1 x RCA/1 x RCA wbudowany mikrofon,
Wejścia/wyjścia alarmowe	1 (NO/NC)/1
Interfejs sieciowy	1 x Ethernet - złącze RJ-45, 10/100 Mbit/s
Gniazdo kart pamięci	microSD - pojemność do 128GB
<b>Parametry instalacyjne</b>	
Wymiary (mm)	162 (Φ) x 52 (wys.)
Masa	0.7 kg
Klasa szczelności	IP 66 (szczegóły w instrukcji obsługi)
Obudowa	wandaloodporna stopień ochrony IK10 aluminiowa, w kolorze białym
Zasilanie	PoE, 12 VDC/24 VAC
Pobór mocy	3.7 W, 9.5 W (IR wł.), 5.7 W (grzałka wł.), 11.5 W (IR i grzałka wł.)
Temperatura pracy	-30°C ~ 60°C
Wbudowana grzałka/wentylator	tak/nie

## INFORMACJE WSTĘPNE

### 1.3. Wymiary kamery

Wymiary podano w mm.



pl

## INFORMACJE WSTĘPNE

---

---

### 1.4. Zawartość opakowania

Po otwarciu należy upewnić się czy w opakowaniu znajdują się następujące elementy:

- Kamera IP
- Torebka z akcesoriami montażowymi
- Skrócona instrukcja obsługi

Jeżeli którykolwiek z elementów został uszkodzony w transporcie, należy spakować zawartość z powrotem do oryginalnego opakowania i skontaktować się z dostawcą.

#### **UWAGA:**

Jeżeli urządzenie przyniesione zostało z pomieszczenia o niższej temperaturze należy odczekać aż osiągnie temperaturę pomieszczenia, w którym ma pracować. Nie wolno włączać urządzenia bezpośrednio po przyniesieniu z chłodniejszego miejsca. Kondensacja zawartej w powietrzu pary wodnej może spowodować zwarcia i w konsekwencji uszkodzenie urządzenia.

Przed uruchomieniem urządzenia należy zapoznać się z opisem i rolą poszczególnych wejść, wyjść oraz elementów regulacyjnych, w które wyposażone są kamery.

#### **UWAGA:**

W celu ochrony kamery przed uszkodzeniem zalecane jest zastosowanie zabezpieczeń przepięciowych. Awarie powstałe w wyniku przepięć nie podlegają naprawie gwarancyjnej.

#### **UWAGA:**

Zabronione jest stosowanie jako źródło zasilania kamery urządzeń (zasilacze, adaptory itp.) PoE niezgodnych ze standardem IEEE 802.3af, potocznie nazywanych „pasywne zasilacze PoE”. Uszkodzenia wynikłe ze stosowania nieodpowiednich źródeł zasilania nie podlegają gwarancji.

#### **UWAGA:**

Złącza/gniazda kamery nie są hermetyczne. Użytkownik powinien zapewnić ich szczelność we własnym zakresie.

#### **UWAGA:**

Należy zwrócić szczególną uwagę, aby powierzchnia do której mocowana jest kamera miała odpowiednią nośność.

#### **UWAGA:**

W celu zapewnienia deklarowanej szczelności należy zabezpieczyć otwory montażowe i przepust kablowy. W przypadku instalacji na nierównych/chropowatych powierzchniach, okolice otworów montażowych kamery należy dodatkowo zabezpieczyć masą uszczelniającą.

#### **UWAGA:**

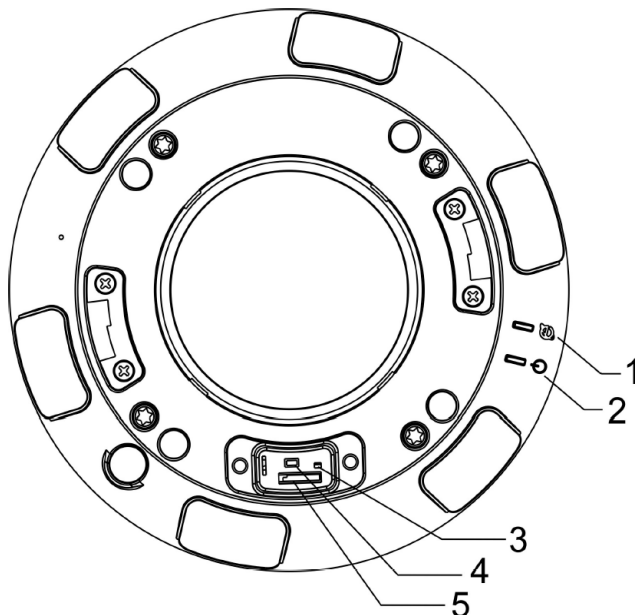
Deklarowana klasa szczelności kamery dotyczy jej obudowy i nie uwzględnia możliwości wnikania wilgoci do wnętrza kamery poprzez przewody przyłączeniowe. Zabezpieczenie przewodów poprzez np. uszczelnienie ich odpowiednią masą jest obowiązkiem osoby instalującej kamerę. Producent nie ponosi odpowiedzialności za wszelkie szkody, uszkodzenia kamery powstałe w skutek niedopełnienia w/w obowiązku co jednocześnie oznacza, iż nie podlegają one naprawom gwarancyjnym.

## URUCHAMIANIE I WSTĘPNA KONFIGURACJA KAMERY IP

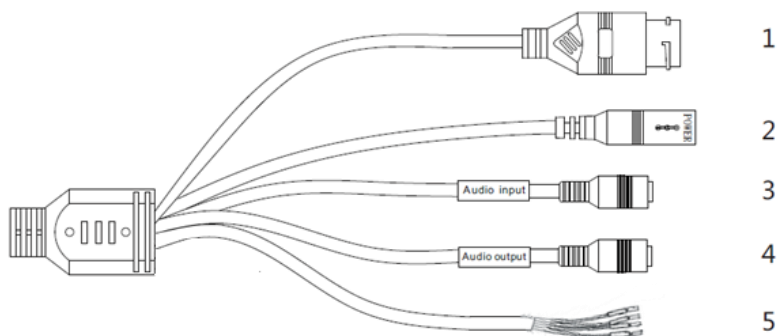
### 2. URUCHAMIANIE I WSTĘPNA KONFIGURACJA KAMERY IP

#### 2.1. Opis złączy elektrycznych oraz elementów regulacyjnych

1. Dioda połączenia z siecią
2. Dioda zasilania kamery
3. Dioda slotu karty microSD
4. Przycisk reset
5. Slot karty microSD



1. Ethernet 100 Mb/s (gniazdo RJ-45)
2. Przewód zasilający 12VDC / 24VAC
3. Wejście audio RCA (Audio Input)
4. Wyjście audio RCA (Audio Output)
5. Wejścia / wyjścia alarmowe:
  - Wejście alarmowe COM0 (pomarańczowy)
  - Wejście alarmowe IN0 (żółty)
  - Wyjście alarmowe OUT1 (szary)
  - Wyjście alarmowe COM1 (fioletowy)



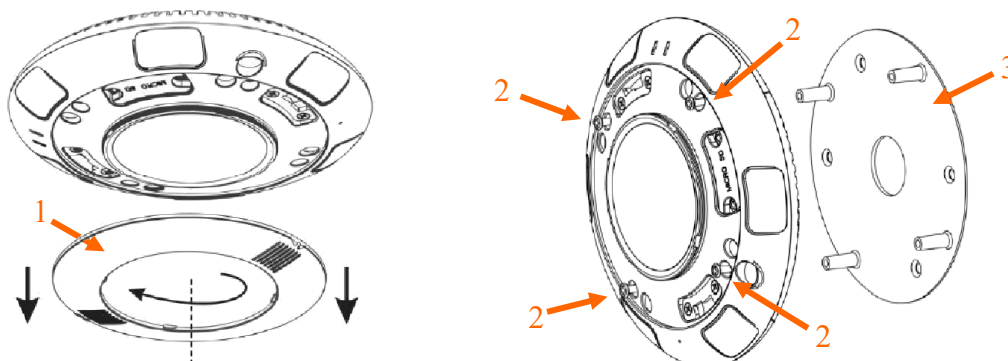
#### SCHEMAT PODŁĄCZENIA ZASILANIA 12VDC



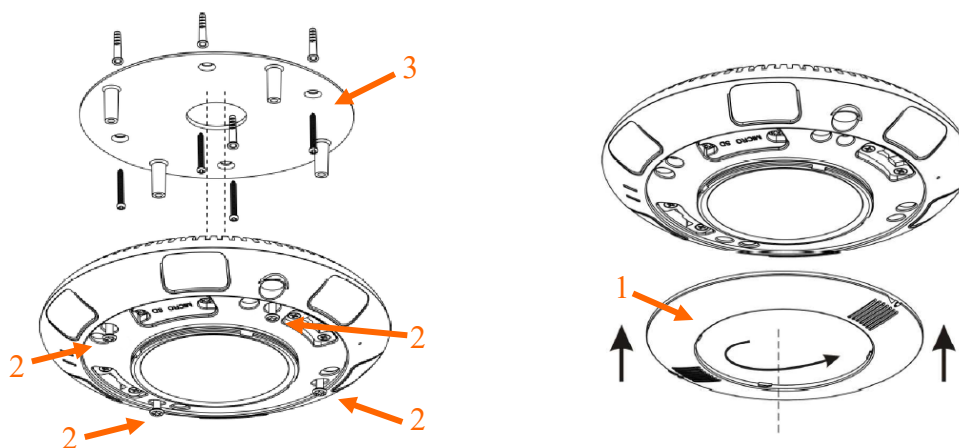
## URUCHAMIANIE I WSTĘPNA KONFIGURACJA KAMERY IP

### 2.2. Montaż kamery

- Element maskujący (1) obrócić zgodnie z ruchem wskazówek zegara, a następnie zdjąć.
- Za pomocą klucza imbusowego odkręcić śruby (2) i zdjąć uchwyt instalacyjny (3).



- Za pomocą dołączonego szablonu montażowego zaznaczyć punkty wiercenia na powierzchni na której ma zostać zamocowana kamera.
- Wywiercić w zaznaczonych miejscach otwory pod wkręty mocujące oraz w razie potrzeby pod otwór umożliwiający doprowadzenie niezbędnego okablowania.



- Zamocować uchwyt instalacyjny (3) przy użyciu załączonych wkrętów montażowych.
- Przy użyciu śrub (2) przykręcić kamerę do uchwyty instalacyjny (3).
- Zamocować element maskujący (1).

**UWAGA ! Przy podłączaniu zasilania przez złącze 12 VDC należy zwrócić uwagę na polaryzację zasilania. Opis polaryzacji umieszczony jest na złączu zasilania.**

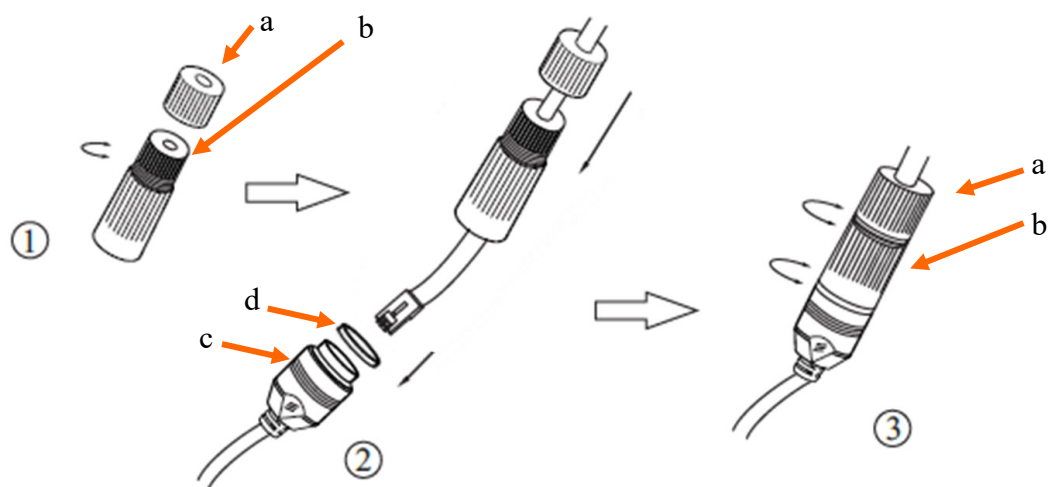


## URUCHAMIANIE I WSTĘPNA KONFIGURACJA KAMERY IP

### 2.3 Podłączenie kabla sieciowego

Aby zachować szczelność połączenia kabla sieciowego należy postępować zgodnie z poniższą instrukcją:

1. Odkręcić nakrętkę (a) od głównego elementu zabezpieczającego (b).
2. Poprowadzić kabel sieciowy (bez końcówki) przez oba elementy. Po przełożeniu kabla zacisnąć końcówkę RJ-45. Zainstalować uszczelkę (d) na gnieździe (c).
3. Podłączyć kabel do gniazda hermetycznego (c), przykręcić główną osłonę (b), a następnie nakrętkę (a).



#### UWAGA!

złącza/gniazda kamery nie posiadają klasy szczelności. Użytkownik powinien zapewnić ich szczelność we własnym zakresie.

UWAGA! Zabronione jest stosowanie jako źródło zasilania kamery urządzeń (zasilacze, adaptory itp.) PoE niezgodnych ze standardem IEEE 802.3af, potocznie nazywanych „pasywne zasilacze PoE”. Uszkodzenia wynikłe ze stosowania nieodpowiednich źródeł zasilania nie podlegają gwarancji.

Pozostale

## URUCHAMIANIE I WSTĘPNA KONFIGURACJA KAMERY IP

### 2.4. Uruchomienie kamery IP

W celu uruchomienia kamery należy podłączyć kabel ethernetowy do gniazda sieciowego RJ45 kamery IP, a drugi koniec do przełącznika sieciowego PoE (IEEE 802.3af).

Możliwe jest również zasilanie kamery z zewnętrznego stabilizowanego zasilacza o parametrach spełniających wymagania kamery.

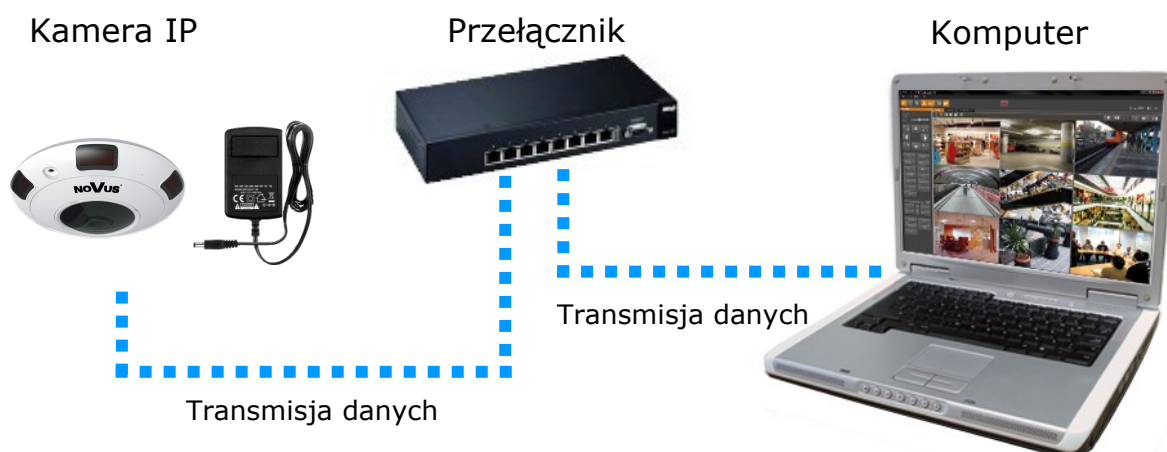
Po uruchomieniu zasilania zaświeci się czerwona dioda w wewnętrznej obudowie kamery. Rozpocznie się proces uruchomienia kamery który może potrwać około 2 minut. Poprawne połączenie z przełącznikiem sieciowym sygnalizowane jest przez zaświecenie się diody na zielono. Transfer danych sygnalizowany jest przez migotanie diody.

Zalecaną metodą uruchomienia i konfiguracji kamery IP jest połączenie jej do komputera PC lub laptopa w wydzielonym przełączniku PoE, do którego nie ma podłączonych innych urządzeń. W przypadku zasilania z zewnętrznego zasilacza wystarczy zastosować dowolny przełącznik sieciowy, lub kabel podłączony bezpośrednio do komputera. W celu uzyskania danych potrzebnych do konfiguracji sieci (adres IP, brama, maska sieci itd.) należy skontaktować się z administratorem sieci, w której urządzenie ma pracować.

- Połączenie wykorzystujące przełącznik sieciowy z PoE



- Połączenie wykorzystujące zewnętrzne zasilanie kamery i przełącznik sieciowy



## URUCHAMIANIE I WSTĘPNA KONFIGURACJA KAMERY IP

- Połączenie wykorzystujące zewnętrzne zasilanie kamery i kabel ethernetowy skrosowany

Kamera IP



Komputer



Transmisja danych - kabel ethernetowy skrosowany

### Informacja:

Zasilacz zewnętrzny nie wchodzi w skład zestawu, należy się w niego zaopatrzyć we własnym zakresie.

### UWAGA:

**W celu ochrony kamery przed uszkodzeniem zalecane jest zastosowanie zabezpieczeń przepięciowych. Awarie powstałe w wyniku przepięć nie podlegają naprawie gwarancyjnej.**

### 2.5. Konfiguracja parametrów przy użyciu przeglądarki internetowej

Konfigurację sieciową kamery można przeprowadzić przy pomocy przeglądarki internetowej.

Domyślne ustawienia sieciowe dla kamer IP serii NVIP-12F-8001 to :

1. Adres IP = **192.168.1.200**
2. Maska sieci - **255.255.255.0**
3. Brama - **192.168.1.1**
4. Nazwa użytkownika - **root**
5. Hasło - **pass**

Znając adres IP kamery należy ustawić adres IP komputera w taki sposób aby oba urządzenia pracowały w jednej podsieci (dla adresu IP kamery 192.168.1.200 jako adres IP komputera PC możemy ustawić adres z zakresu 192.168.1.0 - 192.168.1.254, np.: 192.168.1.60). Niedopuszczalne jest ustawianie adresu komputera takiego samego jak adres kamery.

Wykorzystując połączenie przez przeglądarkę internetową Internet Explorer lub oprogramowanie NMS należy ustawić docelową konfigurację sieciową (adres IP, maskę sieci, bramę, serwery DNS) lub włączyć tryb pracy DHCP pozwalający na pobranie adresu IP z serwera DHCP (wymagany jest wówczas działający serwer DHCP). W przypadku korzystania z serwera DHCP należy upewnić się co do długości okresu dzierżawy adresu IP, jego powiązania z adresem MAC kamery IP w celu uniknięcia zmiany lub utraty adresu IP w czasie pracy urządzenia lub chwilowej awarii sieci / serwera DHCP. Należy pamiętać że po zmianie adresu IP kamera zostanie zresetowana i trzeba wpisać nowy adres w przeglądarce internetowej.

Po konfiguracji ustawień sieciowych pozwalających na bezkonfliktową pracę urządzenia, kamerę IP możemy podłączyć do sieci docelowej.

## URUCHAMIANIE I WSTĘPNA KONFIGURACJA KAMERY IP

---

---

### 2.6. Zalecenia dotyczące bezpieczeństwa sieci

#### UWAGA!

Poniżej zostały przedstawione podstawowe zalecenia dotyczące budowy oraz konfiguracji systemów telewizji dozorowej podłączonych do sieci Internet, pozwalające ograniczyć ryzyko nieautoryzowanej ingerencji w system przez osoby trzecie.

1. Bezwzględnie należy zmienić domyślne hasła dostępu oraz nazwy użytkowników (jeśli dane urządzenia dają taką możliwość) wszystkich zastosowanych urządzeń sieciowych (tzn. rejestratora, kamer, routerów, przełączników sieciowych itp.) na hasła o znacznym stopniu skomplikowania. W zależności od możliwości konfiguracji danego urządzenia zaleca się, aby hasło zawierało: małe litery, wielkie litery, cyfry oraz znaki specjalne.

2. W zależności od dostępnej funkcjonalności w celu ograniczenia dostępu do zastosowanych urządzeń sieciowych na poziomie konta administratora zaleca się odpowiednią konfigurację kont użytkowników.

3. Bezwzględnie zabronione jest wykorzystywanie funkcji DMZ (Demilitarized zone - strefa zdemilitaryzowana). Zastosowanie tej funkcji otwiera dostęp do systemu od strony sieci Internet na wszystkich możliwych portach, co w znacznym stopniu ułatwia ewentualną nieautoryzowaną ingerencję w system.

Zamiast wykorzystywania funkcji DMZ należy zastosować przekierowanie portów. Przekierowane powinny zostać jedynie porty niezbędne do realizacji połączenia (szczegółowych informacji na temat portów komunikacji w poszczególnych modelach rejestratorów, kamer itp. należy szukać w instrukcjach obsługi urządzeń).

4. Należy stosować routery wyposażone w funkcję zapory sieciowej (Firewall) oraz upewnić się że funkcja jest włączona oraz odpowiednio skonfigurowana.

5. Jeśli urządzenia sieciowe posiadają taką funkcjonalność zalecana jest zmiana domyślnych numerów portów wykorzystywanych do komunikacji sieciowej.

6. Jeśli urządzenia sieciowe posiadają funkcję UPnP i nie jest ona wykorzystywana, należy ją bezwzględnie wyłączyć.

7. Jeśli urządzenia sieciowe posiadają funkcję P2P i nie jest ona wykorzystywana, należy ją wyłączyć.

8. Jeśli urządzenia sieciowe obsługują protokół HTTPS do realizacji połączeń zaleca się jego stosowanie.

9. Jeśli urządzenia sieciowe obsługują funkcję filtracji adresów IP uprawnionych do nawiązywania połączenia zaleca się jej wykorzystywanie.

10. Jeśli zastosowany rejestrator sieciowy wyposażony jest w dwa interfejsy sieciowe zaleca się odseparowanie sieci do której podłączone są kamery od sieci posiadającej połączenie internetowe. Dzięki temu urządzeniem dostępnym z poziomu sieci Internet będzie rejestrator natomiast połączenie z kamerami nie będzie możliwe.

## POŁĄCZENIA SIECIOWE ZA POMOCĄ PRZEGLĄDARKI WWW

### 3. POŁĄCZENIA SIECIOWE ZA POMOCĄ PRZEGLĄDARKI WWW

#### 3.1. Zalecana konfiguracja komputera PC do połączeń przez przeglądarkę WWW

Poniższe wymagania dotyczą połączenia z kamerą IP przy założeniu płynnego wyświetlania obrazu wideo w rozdzielczości 4000x3000 dla 20kl/s.

1. Procesor **Intel i5 3 GHz** lub wyższy
2. Pamięć **RAM min. 4 GB**
3. Karta grafiki **Nvidia GeForce 512MB**
4. System operacyjny **Windows 7 / 8 / 8.1 / 10**
5. Karta sieciowa **100/1000 Mb/s**

#### 3.2. Połączenie sieciowe z kamerą IP za pomocą przeglądarki WWW

##### UWAGA:

**Aby zachować poprawność działania funkcji zrzutu obrazu oraz nagrywania obrazu na komputer, przeglądarkę należy uruchomić z poziomu administratora, ponadto dla poprawności działania funkcji odtwarzania nagrań z karty micro SD adres kamery należy także dodać do zaufanych witryn w opcjach przeglądarki.**

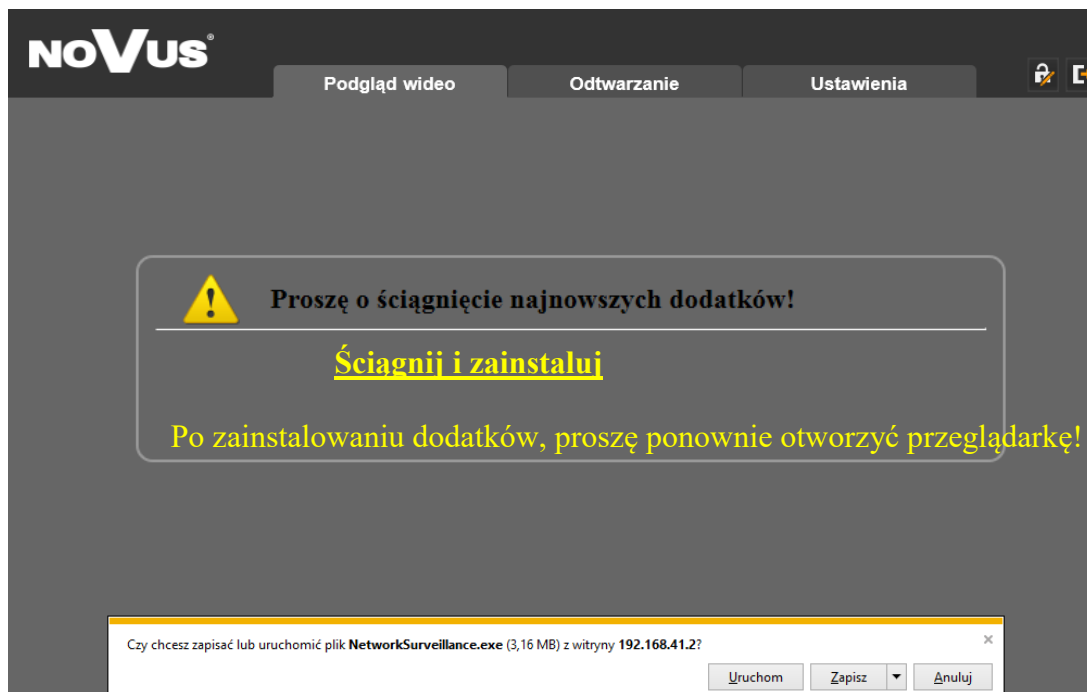
W pasku adresu przeglądarki internetowej należy wpisać adres IP kamery. Jeśli podany adres jest prawidłowy i docelowe urządzenie jest w danej chwili osiągalne zostanie wyświetlone okno logowania do interfejsu sieciowego:

Z listy wyborów język można wybrać wyświetlany w menu (dostępne są języki: polski, angielski, niemiecki, rosyjski). Domyślny język to język angielski.

Domyślny użytkownik to **root**, a hasło **pass**. Ze względów bezpieczeństwa zaleca się zmianę domyślnych wartości. Nową nazwę użytkownika i hasło należy zapamiętać lub zapisać w bezpiecznym miejscu.

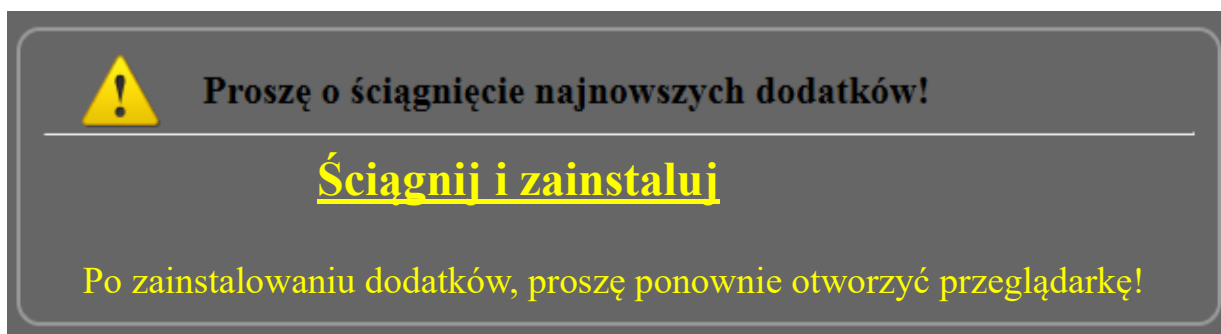
## POŁĄCZENIA SIECIOWE ZA POMOCĄ PRZEGLĄDARKI WWW

Jeżeli kamera w danej przeglądarce uruchamiana jest pierwszy raz, po zalogowaniu do kamery ukaże nam się obraz jak poniżej:



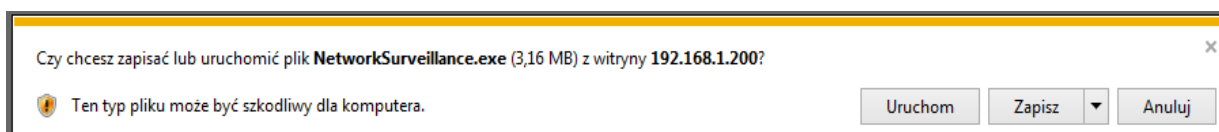
Do poprawnej obsługi kamery z poziomu przeglądarki niezbędny jest dodatek, należy go pobrać i zainstalować, aby to zrobić, należy:

- Kliknąć w *Ściągnij i zainstaluj*



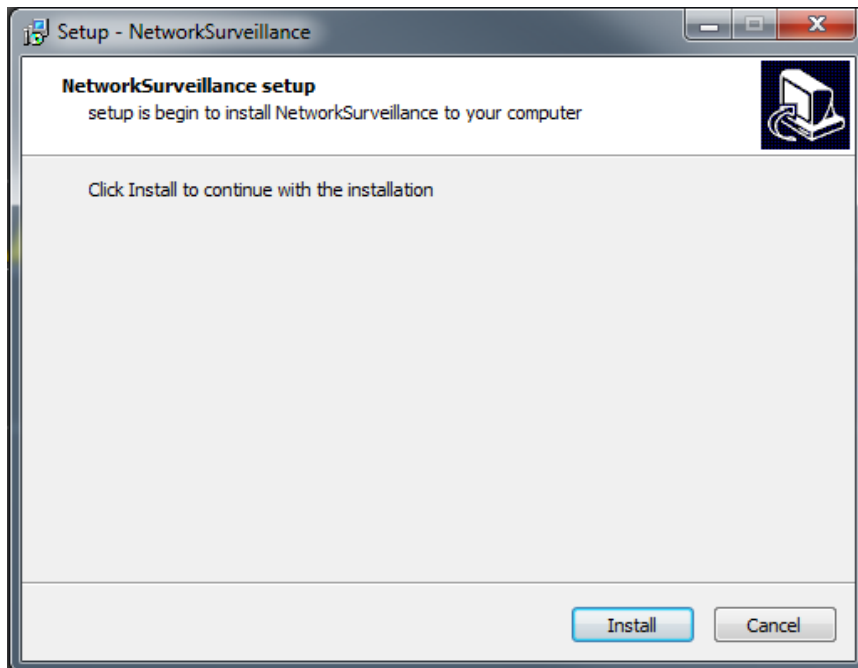
- Kliknąć w przycisk *Zapisz*

- Kliknąć w przycisk *Uruchom*

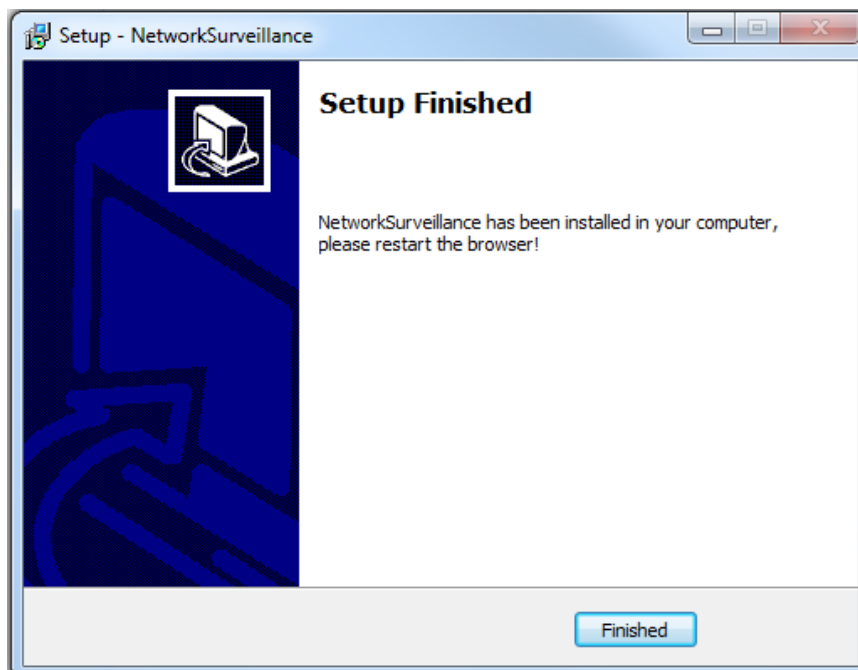


## POŁĄCZENIA SIECIOWE ZA POMOCĄ PRZEGLĄDARKI WWW

- Kliknąć przycisk *Install*



- Po zakończeniu instalacji, kliknąć przycisk *Finished*



**UWAGA:** W przypadku pracy w systemie Windows Vista/7/8/10 możliwe jest zablokowanie apletu ActiveX przez Windows Defender i Kontrolę konta użytkownika. W takim przypadku należy zezwolić na uruchamianie dodatku lub po prostu wyłączyć działanie blokujących aplikacji.

**UWAGA:** Jeżeli podczas pobierania lub instalacji wystąpiły błędy, należy wybrać *Ustawienia Zabezpieczeń* w *Opcjach Internetowych* przeglądarki IE, oraz włączyć funkcję *Pobieranie niepodpisanych formantów ActiveX*.

## INTERFEJS WWW - PRACA Z KAMERA

### 4. INTERFEJS WWW - PRACA Z KAMERA

#### 4.1. Wyświetlanie obrazu na żywo



1. menu kamery:

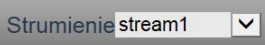









- *Podgląd wideo* - otwiera okno wyświetlania obrazu na żywo
- *Odtwarzanie* - otwiera okno odtwarzania nagrań kamery - dla poprawności działania należy dodać adres kamery do Widoku zgodności przeglądarki (patrz rozdział 4.2)
- *Ustawienia* - otwiera menu ustawień kamery

2. Przycisk *Zmień hasło*  oraz przycisk *Wyloguj*  - służą do zmiany hasła oraz wylogowania aktualnie zalogowanego użytkownika

3. Okno podglądu wideo

4. Informacje o strumieniu wideo

5. Menu podglądu wideo

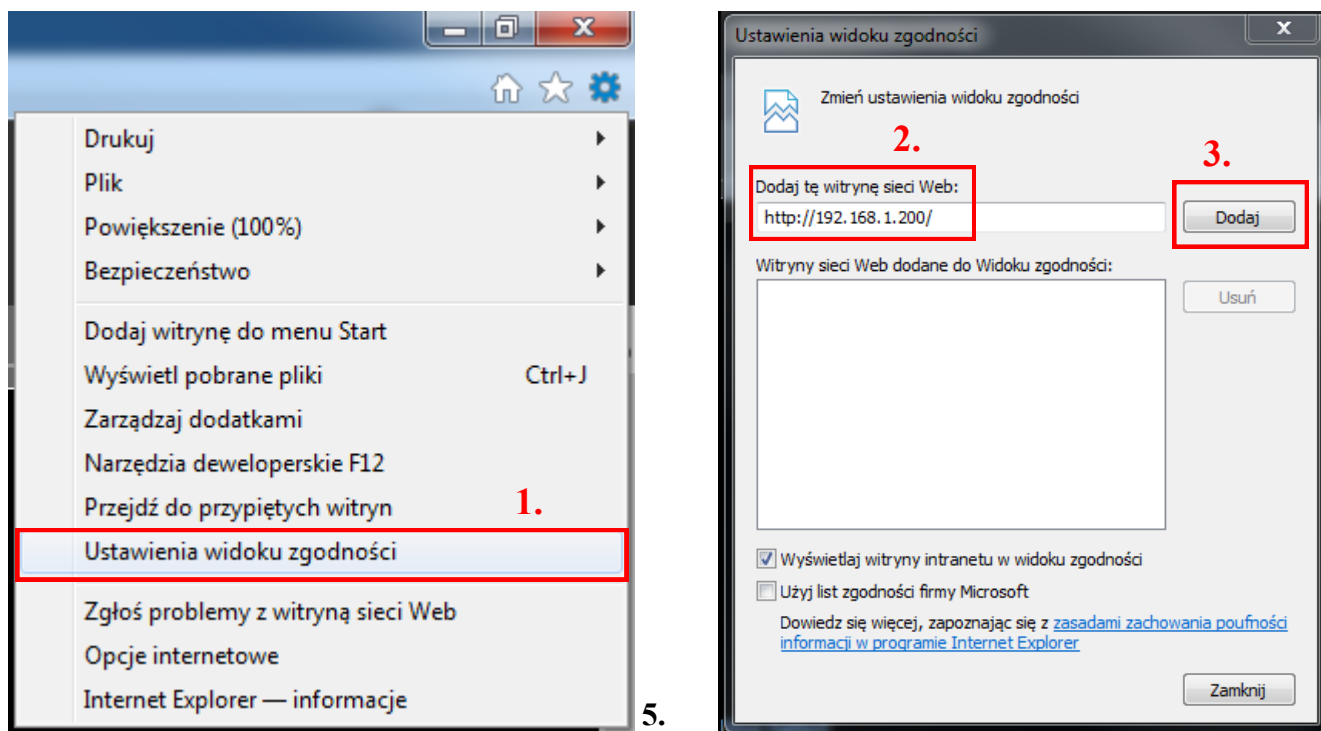
-  Wybór wyświetlanego strumienia wideo
-  Przycisk *PTZ* - włącza okno PTZ
-  Wybór dodatkowych ustawień kamery - opcja niedostępna
-  Przycisk *Wideo* - włącza/wyłącza obraz kamery
-  Przycisk *Na żywo / Płynnie* - włącza funkcję poprawy płynności obrazu
-  Przycisk *Audio* - włącza/wyłącza wyjście audio
-  Przycisk *Interkom* - włącza/wyłącza wejście oraz wyjście audio
-  Przycisk *Sensor* - włącza menu ustawień sensora
-  Przycisk *Zrzut obrazu* - wykonuje zrzut obrazu z kamery
-  Wybór dodatkowych ustawień kamery - opcja niedostępna



## POŁĄCZENIA ELEKTRYCZNE I ZŁĄCZA AKCESORIÓW

### 4.2 Dodawanie adresu kamery do ustawień widoku zgodności przeglądarki Internet Explorer

Aby uzyskać poprawność działania wszystkich funkcji kamery, należy dodać jej adres do Widoku zgodności przeglądarki. Należy uruchomić „Ustawienia widoku zgodności” w opcjach przeglądarki (1.), a następnie w ukazanym oknie należy wpisać adres kamery (2.) i nacisnąć przycisk *Dodaj* (3.).



## POŁĄCZENIA ELEKTRYCZNE I ZŁĄCZA AKCESORIÓW

### 5.1. Podłączenie zasilania kamery

Kamera może być zasilana przez zewnętrzny zasilacz o parametrach zgodnych z zasilaniem kamery lub przez gniazdo sieciowe RJ45 przy wykorzystaniu technologii PoE. Do zasilania kamery poprzez PoE należy użyć przełącznika sieciowego lub zasilacza PoE.

#### SCHEMAT PODŁĄCZENIA ZASILANIA 12VDC



**UWAGA:** Przy podłączaniu zasilania przez złącze 12 VDC należy zwrócić uwagę na polaryzację zasilania. Opis polaryzacji umieszczony jest na złączu zasilania.

**UWAGA:** W celu ochrony kamery przed uszkodzeniem zalecane jest zastosowanie zabezpieczeń przepięciowych. Awarie powstałe w wyniku przepięć nie podlegają naprawie gwarancyjnej.

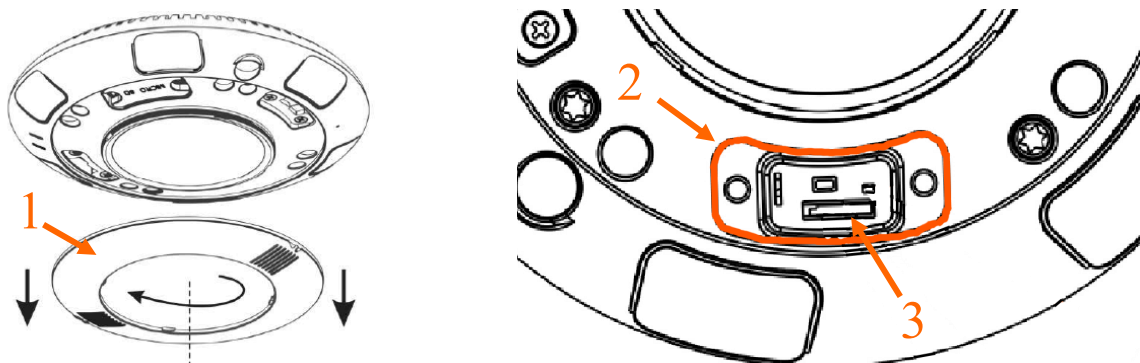
**UWAGA:** Zabronione jest stosowanie jako źródło zasilania kamery urządzeń (zasilacze, adaptory itp.) PoE niezgodnych ze standardem IEEE 802.3af, potocznie nazywanych „pasywne zasilacze PoE”. Uszkodzenia wynikłe ze stosowania nieodpowiednich źródeł zasilania nie podlegają gwarancji.

## POŁĄCZENIA ELEKTRYCZNE I ZŁĄCZA AKCESORIÓW

### 5.2. Instalacja karty SD

Kamera obsługuje karty microSD o pojemności do 128GB. W celu prawidłowej instalacji karty należy postępować zgodnie z instrukcją:

- Wyłączyć zasilanie kamery
- Element maskujący (1) obrócić zgodnie z ruchem wskazówek zegara, a następnie zdjąć.
- Odkręcić dwie śruby blokujące i zdemontować panel serwisowy (2).
- Zainstalować kartę SD w gnieździe (3) zgodnie z rysunkiem:

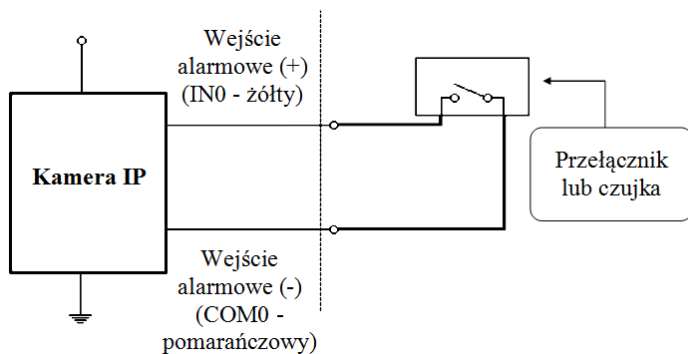


- Zamocować panel serwisowy (2) i przykręcić śruby blokujące. Zamocować element maskujący (1).
- Włączyć kamerę.
- Sprawdzić poprawność zainstalowania karty przez zweryfikowanie jej rozmiaru w zakładce *Nagrywanie lokalne -> Lokalizacja plików*.

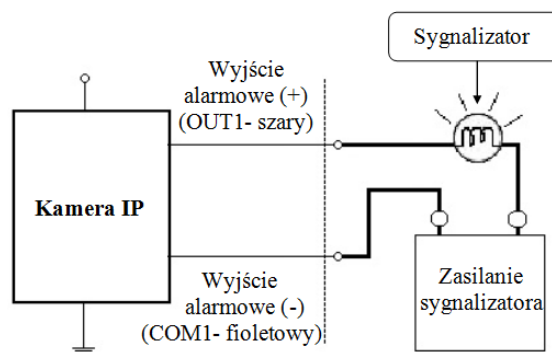
### 5.3 Opis podłączenia wejść i wyjść alarmowych.

Opis złączy alarmowych znajduje się w rozdziale 2.1 niniejszej instrukcji.

#### Typowe połączenia wejścia alarmowego



#### Typowe połączenia wyjścia alarmowego



## PRZYWRACANIE USTAWIENÍ FABRYCZNYCH KAMERY

### 6. PRZYWRACANIE USTAWIENÍ FABRYCZNYCH KAMERY

Kamery IP marki NOVUS umożliwiają resetowanie ustawień:

- programowo (z poziomu przeglądarki)
- sprzętowo (przy użyciu przycisku reset)

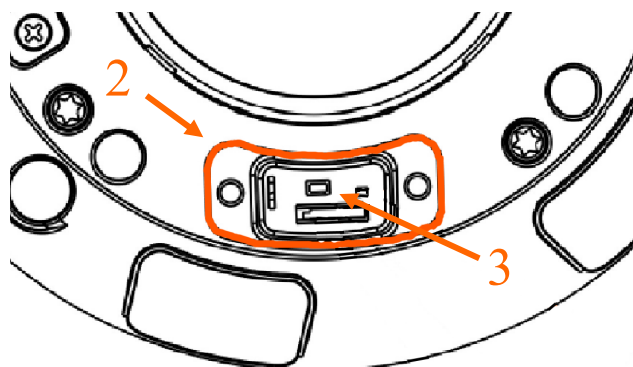
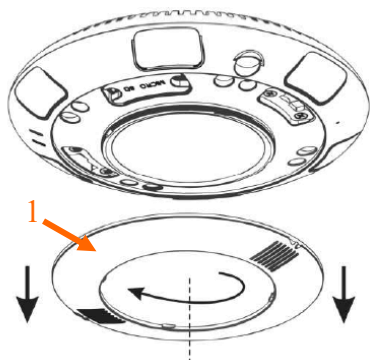
#### 6.1. Programowe przywracanie ustawień fabrycznych kamery IP

Przywracanie ustawień fabrycznych kamery IP powoduje przywrócenie wszystkich domyślnych ustawień kamery (opcjonalnie z zachowaniem ustawień sieciowych). Kamera zostanie ponownie uruchomiona po ok. 2 minutach. Opcja do programowego przywrócenia ustawień fabrycznych znajduje się w menu ustawień kamery w zakładce *Konserwacja*.

#### 6.2. Przywracanie ustawień fabrycznych kamery IP (sprzętowo)

W celu sprzętowego przywrócenia ustawień fabrycznych kamery IP należy postępować zgodnie z instrukcją:

- Element maskujący (1) obrócić zgodnie z ruchem wskazówek zegara, a następnie zdjąć.
- Odkręcić dwie śruby blokujące i zdemontować panel serwisowy (2).
- Nacisnąć przycisk *RESET* i przytrzymać przez 10 sekund.



- Zwolnić

przycisk.

- Zamocować panel serwisowy i przykręcić śruby blokujące. Zamocować element maskujący (1).
- Zalogować się ponownie po ok. 2 minutach używając domyślnego adresu IP (<http://192.168.1.200>), nazwy użytkownika (*root*) i hasła (*pass*).

**noVus<sup>®</sup>**

AAT Holding S.A., ul. Puławska 431, 02-801 Warszawa, Polska  
tel.: 22 546 07 00, faks: 22 546 07 59  
[www.novuscctv.com](http://www.novuscctv.com)

2019-02-25 MO, MM