



Installation Manual

EXIT BUTTONS

**KDH-EXIT1010, KDH-EXIT1040, KDH-EXIT1050
KDH-EXIT1060, KDH-EXIT1070, KDH-EXIT1080**



VERSION 1



AAT HOLDING S.A.




431 Pulawska St., 02-801 Warsaw, tel. +4822 546 05 46, fax +4822 546 05 01
www.aat.pl

1. INTRODUCTION




Exit buttons KDH-EXIT are designed for use in access control systems. Structurally they are suitable for surface mounting on different profiles. They have contacts C/NO/C. Varied housing and colours predispose them to be mounted on different surfaces. The robust mechanical design ensures reliable operation.

Available in classic, pressed and touch version. Touch versions require power supply and have illuminated field of touch.

Pressed buttons - parameters

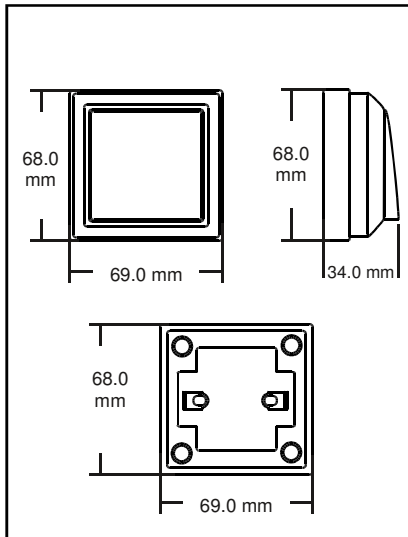
Symbol	KDH-EXIT1010	KDH-EXIT1040	KDH-EXIT1050
Parameters			
Button type	Exit button	Exit button	Exit button
Contacts	1 X NO/NC/C	1 X NO/C	1 X NO/NC/C
Use type	Momentary, pressed	Momentary, pressed	Momentary, pressed
Mounting type	Surface	Surface	Surface
Operating temperature	-10 do +55 C	-20 do +50 C	0 do +55 C
Contacts load	36 VDC 3A	36 VDC 3A	30 VDC 2A
Dimensions (mm) (H x W x T)	69 x 69x 27	83 x 32 x 25	53 x 53 x 26

Touch buttons - parameters

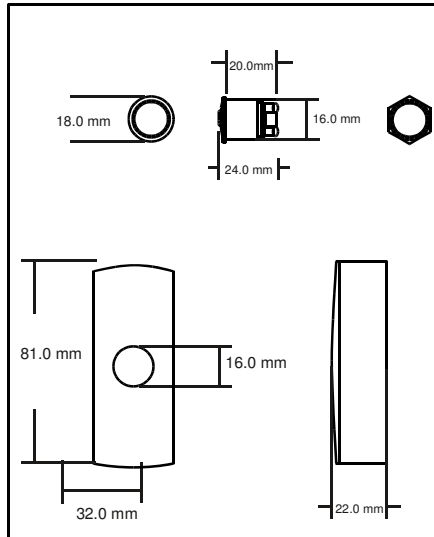
Symbol	KDH-EXIT1060	KDH-EXIT1070	KDH-EXIT1080
Parameters			
Button type	Exit button	Exit button	Exit button
Contacts	1X NO/NC/C	1X NO/NC/C	1X NO/NC/C
Use type	Momentary, touch	Momentary, touch	Momentary, touch
Mounting type	Surface	Surface	Surface
Operating temperature	-20 do +55 C	-20 do +55 C	-20 do +55 C
Supply power	12 VDC	12 VDC	12 VDC
Contacts load	30 VDC 3A	30 VDC 3A	30 VDC 3A
Dimensions (mm) (H x W x T)	80 x 50 x 20	86 x 86 x 20	114 x 40 x 35

Buttons installation

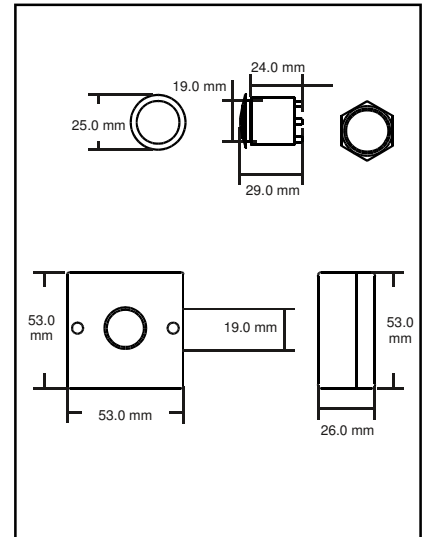
- ◆ Depending on the model, unscrew the 1 or 2 screws located on the side or on the front panel of the switch
- ◆ Separate the front part of the rear part
- ◆ Using the rear part as a template mark two or four points, drill the holes for the mounting screws and the hole for the wire
- ◆ Screw the rear of the enclosure to a wall or door frame
- ◆ Connect wires or terminals switch with the cable from to the controller
- ◆ Reconnect the two parts of the switch and screw.



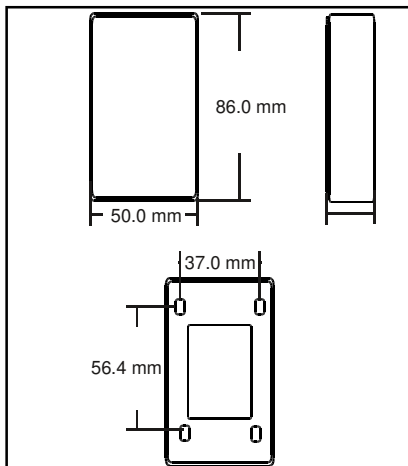
KDH-EXIT1010



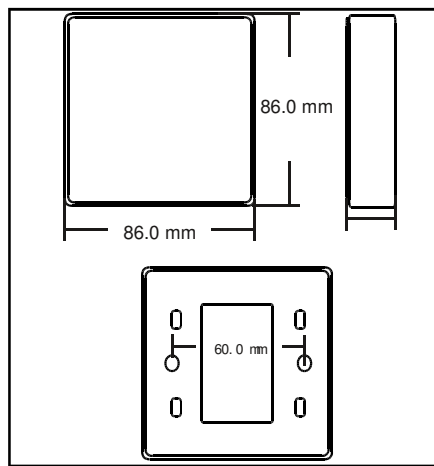
KDH-EXIT1040



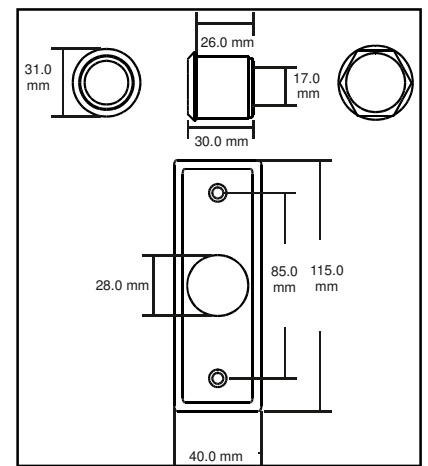
KDH-EXIT1050



KDH-EXIT1060



KDH-EXIT1070



KDH-EXIT1080

Symbol (These models needs supply power)	KDH-EXIT1060 KDH-EXIT1070 KDH-EXIT1080
Contact description	Colour of wires
Supply power +12VDC	Red
Supply power -12VDC GND	Black
COM	Yellow
NC	White
NO	Orange



AAT HOLDING S.A.
431 Pulawska St., 02-801 Warsaw,
tel. +4822 546 05 46, fax +4822 546 05 01
www.aat.pl