



Installation Manual

PROXIMITY CARD READER

KDH-C130U-BLACK

KDH-C130M-BLACK

KDH-CK130U-BLACK

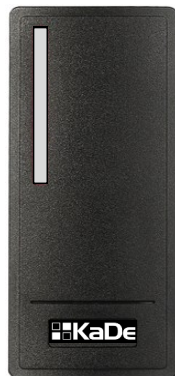
KDH-CK130M-BLACK



VERSION 3.0 12-06-2020



1. Introduction



KDH-C130U-BLACK
KDH-C130M-BLACK



KDH-CK130U-BLACK
KDH-CK130M-BLACK

Proximity card reader type KDH-C130U / KDH-C130M & KDH-CK130U / KDH-CK130M are designed for use in access control systems. It can be installed inside or outdoors. It has a housing made of black ABS plastic which meets the requirements of IP66 (waterproof). Reader is designed to work with controllers with Wiegand interface. The each model reads one of the card types: KDH-C130U and KDH-CK130U Unique cards (125kHz), KDH-C130M and KDH-CK130M Mifare cards (13,56 MHz).

The range of the proximity card reading is from 2 to 10 cm depending on the type of card.

Reader characteristics

- ◆ For cooperation with controllers with Wiegand port
- ◆ Proximity card types: Unique(125kHz) or Mifare Classic (13.56 MHz)
- ◆ Available model with keypad for PIN+card option (KDH-CK130U or KDH-CK130M)
- ◆ Waterproof, meets the requirements of IP66
- ◆ Built-in buzzer and optical red / green LED
- ◆ Power supply 12 VDC

Technical specifications

Name of parameters or function	Parameters value or description
- Supply power	12 VDC +/- 10%
- Current load :	< 35 mA
- Proximity card read range	From 2 to 10 cm (depend of card type)
- Card type	UNIQUE (125kHz) or Mifare (13,56 MHz)
Wiegand format:	
- For models KDH-C130U and KDH-CK130U	26 bit
- For models KDH-C130M and KDH-CK130M	34 bit
Switched Wiegand keypad format	
- For model KDH-CK130U and KDH-CK130M:	4/8 bit
- Wiegand port	D0, D1
- Environments	For indoor and outdoor, IP66
- Operating temperature range	0d -40°C do +60°C
- Operating humidity range	10% - 95% RH
- Dimensions: KDH-C130 KDH-CK130	120 x 48 x 20 mm 122 x 50 x 21 mm

Wiring Diagram

Red	+12V DC
Black	GND
Green	D0
White	D1
Brown	LED
Yellow	Buzzer

Entering programming mode:

Press * for 5 second, when hear a beep input the master code - default master code is 1234#.

Change card Wiegand output format procedure (only for model KDH-CK130U and KDH-CK130M):

Set Wiegand card format - enter prog. mode, then 1 26~44 # * * - exit
 (after digit 1 enter Wiegand format value from the range 26 to 44 bits)
 Default card format: 26 bit's for KDH-CK130U and 34 bit's for KDH-CK130M

Change PIN output format procedure:

- Virtual card number format - enter prog. mode, then 2 0 # * * - exit
 - 4 bit format (KaDe) - enter prog. mode, then 2 4 # * * - exit
 - 8 bit format (Kantech) - enter prog. mode, then 2 8 # * * - exit
 Default format for keypad - 4 bit

Additional functions:

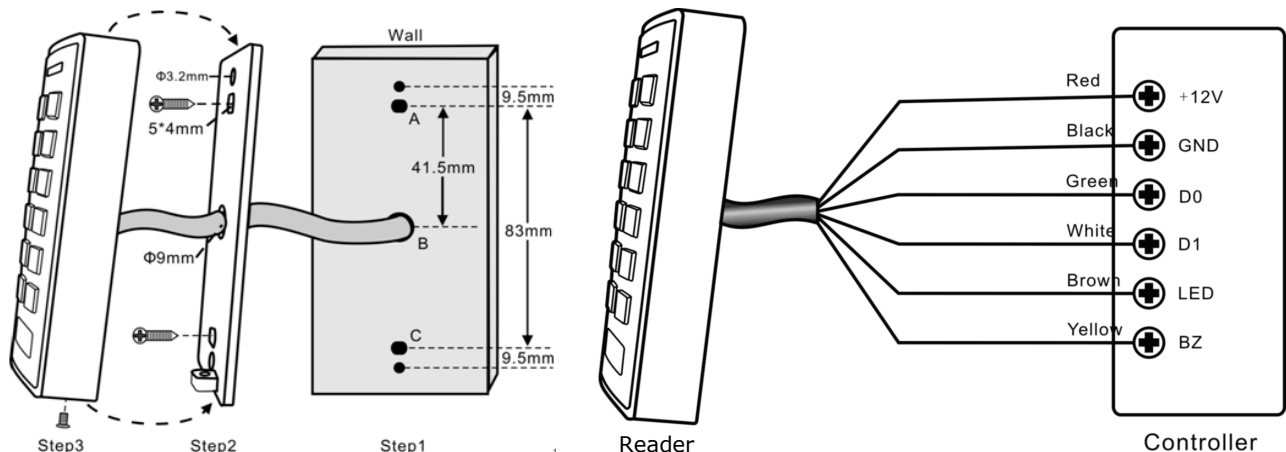
- set new master code - enter prog. mode, then 0 (new master code) # (new master code) # *
 - turn keypad backlight ON (default) - enter prog. mode, then 3 1 # * * - exit
 - turn keypad backlight OFF - enter prog. mode, then 3 0 # * * - exit

Reset to factory default:

Power off, press * key, hold it and power on, release it until hear three beeps and, means reset to factory default successfully.

READER INSTALLATION

- ◆ Separate the back cover with holes and use as a template
- ◆ Drill 2 holes (A, C) in the wall of the bolt and one (B) under the cable
- ◆ Insert the bolt holes (A, C) attached dowels
- ◆ Screw the rear part of the housing to the wall using the screws
- ◆ Bring out the controller cables through the hole (B)
- ◆ Mount the reader on the base and secure it from below with a special screw



 **KaDe**



AAT SYSTEMY BEZPIECZEŃSTWA Sp. z o.o.

431 Pulawska St, 02-801 Warsaw, phone: +48 22 546 05 46, fax: +48 22 546 05 01

www.aat.pl