



# Installation manual

**ELECTROMAGNETIC LOCKS**

**AND MOUNTING BRACKETS**

 **KaDe**

VERSION 4.0 05.11.2020



AAT SYSTEMY BEZPIECZEŃSTWA Sp. z o.o.

431 Pulawska St, 02-801 Warsaw, phone: +48 22 546 05 46, fax: +48 22 546 05 01  
www.aat.pl

## CONTENTS

1.	INTRODUCTION .....	3
2.	COMMERTIAL SIGN EXPLANATION .....	3
3.	ELECTROMAGNETIC LOCKS' TECHNICAL PARAMETERS .....	3
4.	ELECTROMAGNETIC LOCKS' ELECTRICAL CONNECTIONS .....	4
4.1.	KDA-LOCK60 .....	4
4.2.	KDA-LOCK180Z/180P .....	4
4.3.	KDA-LOCK180ZW/280ZW .....	4
4.4.	KDA-LOCK280ZO/500ZO .....	4
4.5.	KDA-LOCK280DZ/280DZC/280DZP/380DZ/500DZC .....	5
5.	KADE LOCKS AND COMPATIBLE BRACKETS LIST .....	5
6.	ELECTROMAGNETIC LOCKS MOUNTING WAYS .....	6
6.1.	STANDARD LOCKS MOUNTING .....	6
6.1.1	KDA-LOCK500DZC WITH "L" BRACKET MOUNTING .....	7
6.2.	WATERPROOF LOCKS MOUNTING .....	7
6.3.	RECESSED LOCKS MOUNTING .....	7

## 1. INTRODUCTION

Electromagnetic locks are one of the device types allowing door locking in physical access control system. KaDe trademark offers wide range of locks with different parameters. Some models offer additional functionalities (e.g. built-in door state sensor) and high weather endurance (waterproof locks). It allows to choose an equipment suitable for the Customer.

## 2. COMMERTIAL SIGN EXPLANATION

Commercial signs of KaDe locks contain information about technical parameters and additional properties. Signs are explained below.

### KDA - LOCK XXX YYY

Holding force [kg]

- 60
- 180
- 280
- 350
- 500

Properties

- D - door state sensor (magnet sensor)
- Z - lock state sensor (Hall sensor)
- C - with delay
- P - double
- O - waterproof
- W - mortise mount

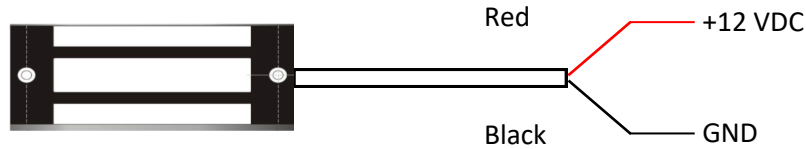
## 3. ELECTROMAGNETIC LOCKS' TECHNICAL PARAMETERS

Model	Current consumption [mA] 12 VDC power supply	Current consumption [mA] 24 VDC power supply	Dimensions [mm] L x H x W
KDA-LOCK60	120	-	80 x 37 x 24
KDA-LOCK180Z	300	150	190 x 32 x 22
KDA-LOCK180ZW	300	150	190 x 32 x 22
KDA-LOCK180P	600	300	340 x 42 x 21
KDA-LOCK280ZW	480	240	229 x 38 x 27
KDA-LOCK280DZ	480	240	250 x 47 x 26
KDA-LOCK280DZ-BLACK	480	240	250 x 47 x 26
KDA-LOCK280DZC	480	240	250 x 47 x 26
KDA-LOCK280DZP	960	480	500 x 47 x 26
KDA-LOCK280ZO	460	220	210 x 42 x 29
KDA-LOCK350DZC	480	240	288 x 55 x 29
KDA-LOCK500DZC	600	300	265 x 71 x 40
KDA-LOCK500ZO	460	220	240 x 64 x 43

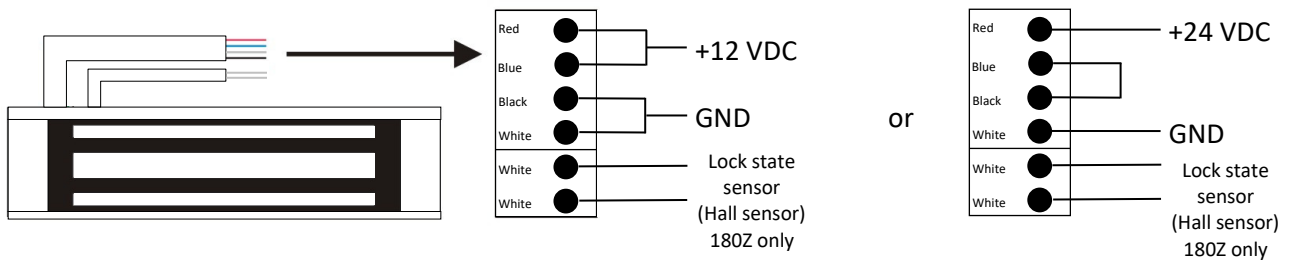
## 4. ELECTROMAGNETIC LOCKS' ELECTRICAL CONNECTIONS

Electrical connection schemes of KaDe electromagnetic locks are shown in the pictures below.

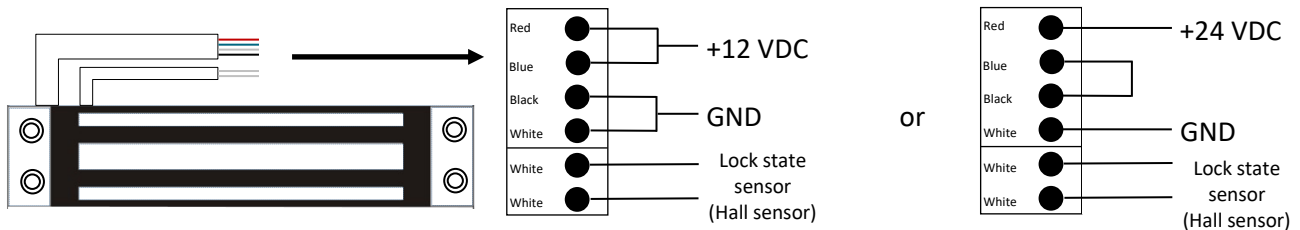
### 4.1. KDA-LOCK60



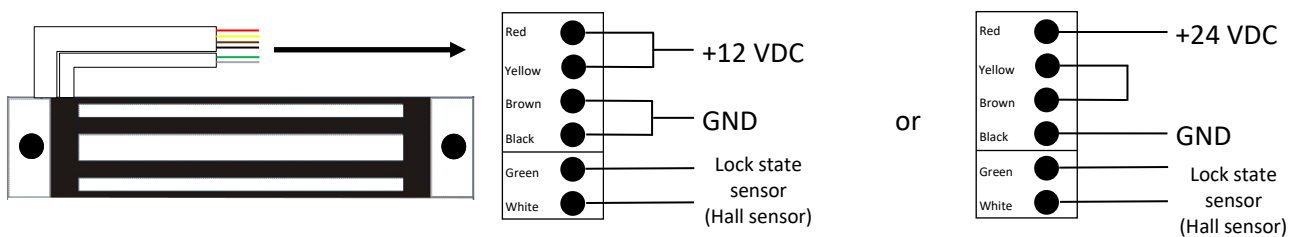
### 4.2. KDA-LOCK180Z/180P



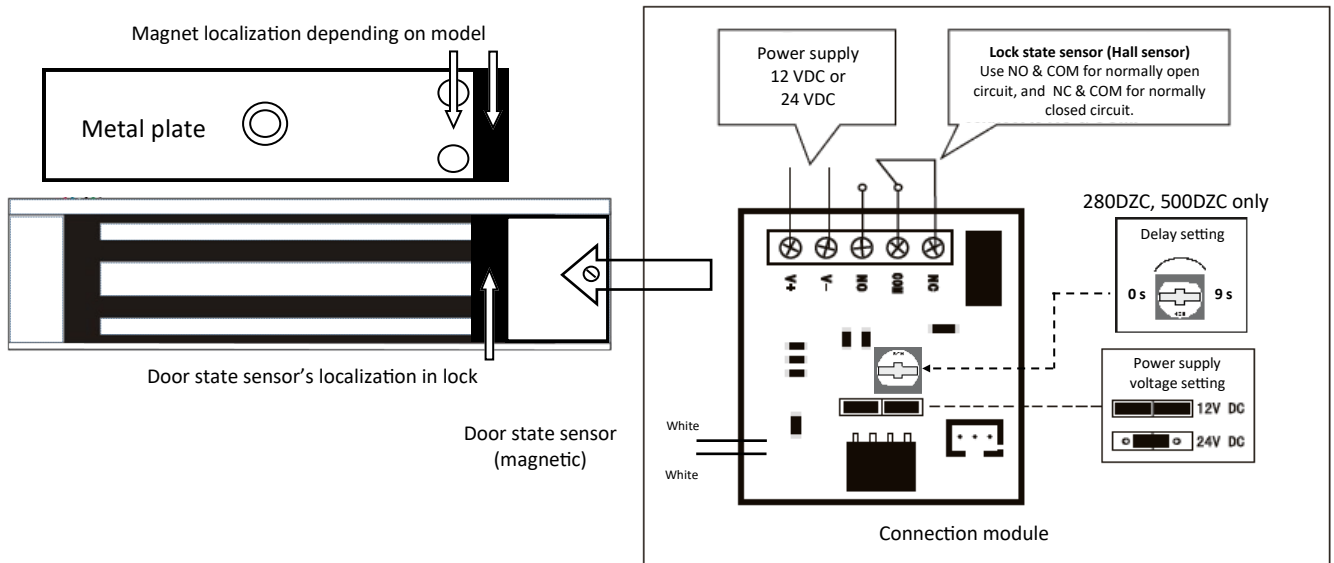
### 4.3. KDA-LOCK180ZW/280ZW



### 4.4. KDA-LOCK280ZO/500ZO



#### 4.5. KDA-LOCK280DZ/280DZC/280DZP/380DZ/500DZC



### 5. KADE LOCKS AND COMPATIBLE BRACKETS LIST

The table below shows available electromagnetic locks and compatible mounting brackets in the offer.

Electromagnetic lock	„U” type bracket	„L” type bracket	„ZL” type bracket
KDA-LOCK60	-	-	-
KDA-LOCK180Z	KDA-BU180	KDA-BL180	KDA-BZL180
KDA-LOCK180ZW	-	-	-
KDA-LOCK180P	KDA-BU180	KDA-BL180	KDA-BZL180
KDA-LOCK280ZW	-	-	-
KDA-LOCK280DZ	-	KDA-BL280	KDA-BZL280
KDA-LOCK280DZ-BLACK	-	KDA-BL280-BLACK	KDA-BZL280-BLACK
KDA-LOCK280DZC	-	KDA-BL280	KDA-BZL280
KDA-LOCK280DZP	-	KDA-BL280	KDA-BZL280
KDA-LOCK280ZO	-	-	KDA-BOZL280
KDA-LOCK350DZC	-	KDA-BL350	KDA-BZL350
KDA-LOCK500DZC	-	KDA-BL500/KDA-BL500-II	KDA-BZL-500
KDA-LOCK500ZO	-	-	KDA-BOZL-500

## 6. ELECTROMAGNETIC LOCKS MOUNTING WAYS

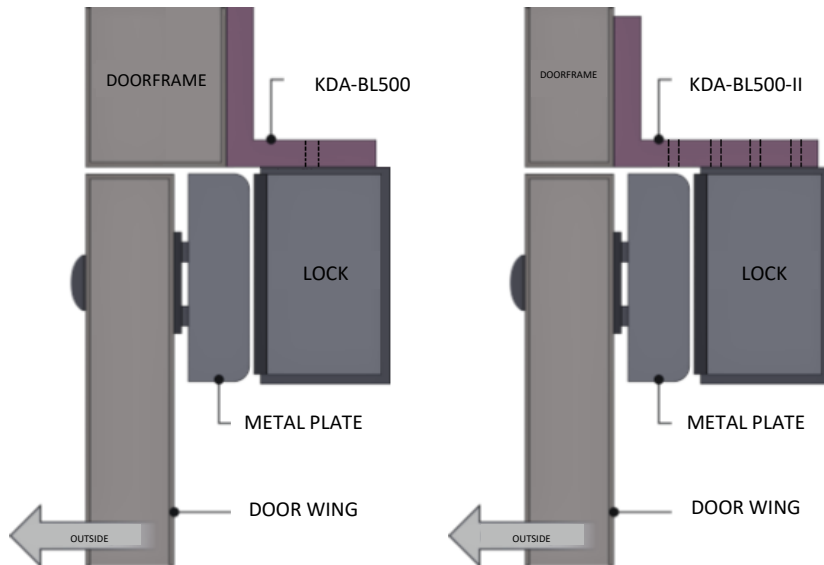
Depending on door construction, doorframe width and door wing material there are different electromagnetic locks' mounting ways. In KaDe offer there are different types of brackets (U, L, ZL), which allow to install the lock on various doors.

### 6.1. STANDARD LOCKS MOUNTING

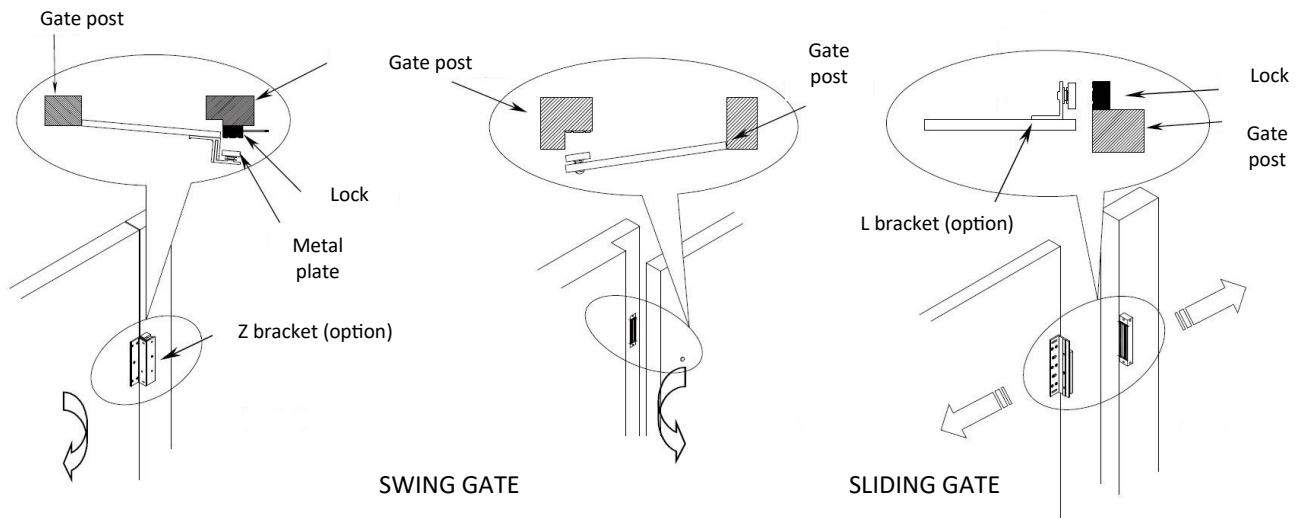


### 6.1.1 KDA-LOCK500DZC WITH “L” BRACKET MOUNTING

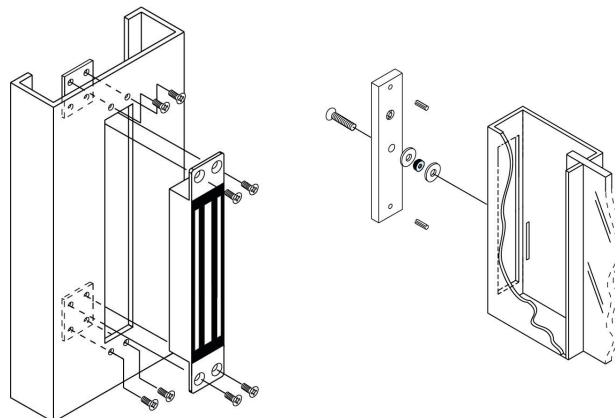
In case of this model mounting you must choose proper “L” type bracket depending on doorframe width, what pictures below show.



### 6.2. WATERPROOF LOCKS MOUNTING



### 6.3. MORTISE LOCKS MOUNTING



 **KaDe**



AAT SYSTEMY BEZPIECZEŃSTWA Sp. z o.o.

431 Pulawska St, 02-801 Warsaw, phone: +48 22 546 05 46, fax: +48 22 546 05 01

[www.aat.pl](http://www.aat.pl)