

Vandal Proof IP Camera

NVIP-5VE-6201-II/7043



FUNCTIONS



The camera is dedicated to work with NOVUS 6000 series recorders. Detailed data can be found in the compatibility table available in the DOWNLOADABLE FILES tab.

KEY FEATURES

- Resolution: 5 MPX
- Lens: fixed focal, f=2.8 mm/F1.6
- built-in microphone
- D/N function - IR cut filter
- Video content analysis
- microSD card support
- WDR with double scan sensor
- Min. Illumination from 0.007 lx (0 lx, IR on)
- IR LED, range up to 30 m

DIMENSIONS

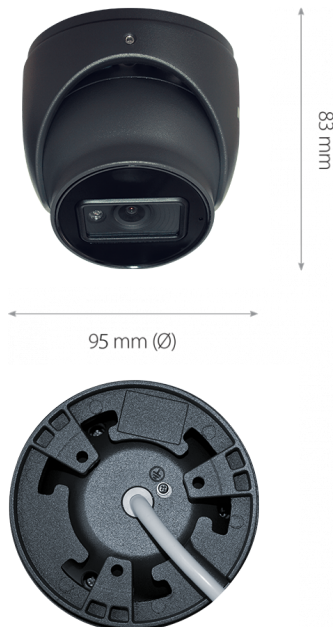


Image	
Image Sensor	5 MPX CMOS sensor 1/2.7" SmartSens
Number of Effective Pixels	2884 (H) x 1624 (V)
Min. Illumination	0.007 lx/F1.6 - color mode, 0 lx (IR on) - B/W mode
Electronic Shutter	auto: 1/2 s ~ 1/100000 s
Digital Slow Shutter (DSS)	up to 1/2 s
Wide Dynamic Range (WDR)	yes (double scan sensor), 120dB
Digital Noise Reduction (DNR)	2D, 3D
Highlight Compensation (HLC)	yes
Back Light Compensation (BLC)	yes
Reduction of image flicker (Antiflicker)	yes
Lens	
Lens Type	fixed focal, f=2.8 mm/F1.6
Day/Night	
Switching Type	mechanical IR cut filter
Switching Mode	auto, manual, time
Switching Level Adjustment	yes
Switching Delay	2 ~ 120 s
Switching Schedule	yes
Visible Light Sensor	yes
Network	
Stream Resolution	2880 x 1620, 2560 x 1440 (QHD), 2304 x 1296, 1920 x 1080 (Full HD), 1280 x 720 (HD), 704 x 576, 704 x 480, 640 x 480 (VGA), 480 x 240, 352 x 288 (CIF), 352 x 240
Frame Rate	30 fps for each resolution
Multistreaming Mode	3 streams
Video/Audio Compression	H.264, H.264+, H.265, H.265+, MJPEG/G.711
Number of Simultaneous Connections	max. 10
Bandwidth	60 Mb/s in total
Network Protocols Support	HTTP, IPv4, IPv4/v6, UDP, HTTPS, FTP, DHCP, DDNS, NTP, RTSP, RTP, UPnP, SNMP, QoS, IEEE 802.1X, PPPoE, SMTP, RTCP, RTMP
ONVIF Protocol Support	Profile S/G/T
Camera Configuration	from Internet Explorer browser languages: Polish, English, and others
Compatible Software	NMS, N Control 6000
Mobile applications	SuperLive Plus (iPhone, Android)
Other functions	
Privacy Zones	4 video mask type: single color
Motion Detection	yes
Region of Interest (ROI)	8
Video Content Analysis (VCA)	abandoned object, object disappearance, line cross, Scene Change, intrusion detection
Image Processing	sharpening, mirror effect, corridor mode, vertical flip, horizontal flip
Prealarm/Postalarm	up to 6 s/up to 120 s
System Reaction to Alarm Events	e-mail, e-mail with attachment, saving file on FTP server, saving file on SD card
Restoring default settings	via web browser, using reset button, via NMS IPTool software
IR LED	
LED Number	1
Range	30 m
Smart IR	yes (software support)
Interfaces	
Audio Input/Output	1 x Jack (3.5 mm)/- built-in microphone
Network Interface	1 x Ethernet - RJ-45 interface, 10/100 Mbit/s
Memory Card Slot	microSD - capacity up to 256GB
Installation parameters	
Dimensions (mm)	97 (Ø) x 83 (H)
Weight	0.5 kg
Degree of Protection	IP 67 (details in the user's manual)
Enclosure	vandalproof IK10 impact rating aluminium, grey
Power Supply	12 VDC, PoE (IEEE 802.3af, Class 3)
Surge protection	TVS 4000 V
Power Consumption	3.5 W, 6 W (IR illuminator on)
Operating Temperature	-30°C ~ 60°C
Humidity	max. 95%, relative (non-condensing)